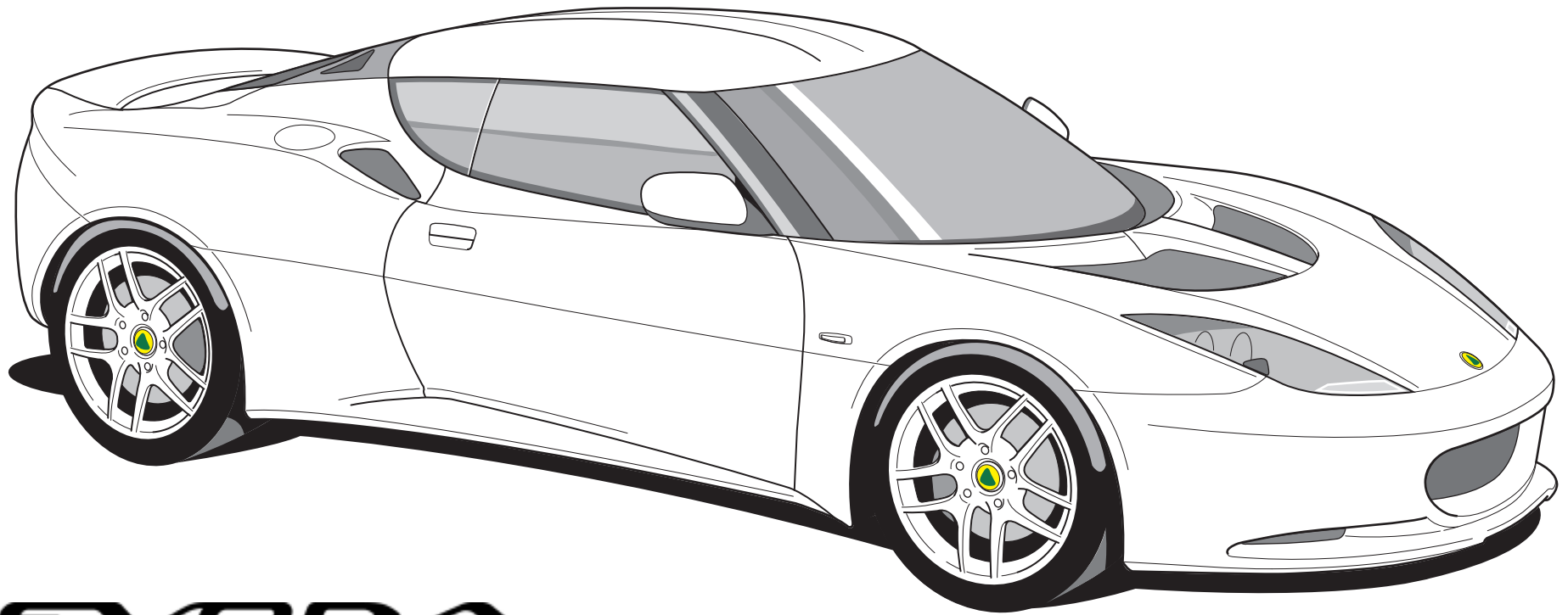




EVORA SERVICE PARTS LIST



EVORA

Technical Publications., Lotus Cars Ltd, Hethel, Norwich, Norfolk, NR14 8EZ. England.

Tel: +44 (0)1953 608000 www.lotuscars.com

© Lotus Cars 2009

Part Number A132T0325J

Updated 4th April 2013

FOREWORD

This publication has been designed for use by Lotus Dealers, and may be updated periodically by the issuing of update packages to the dealer network. Lotus policy is one of continuous product improvement and the right is reserved to alter specifications at any time without prior notice.

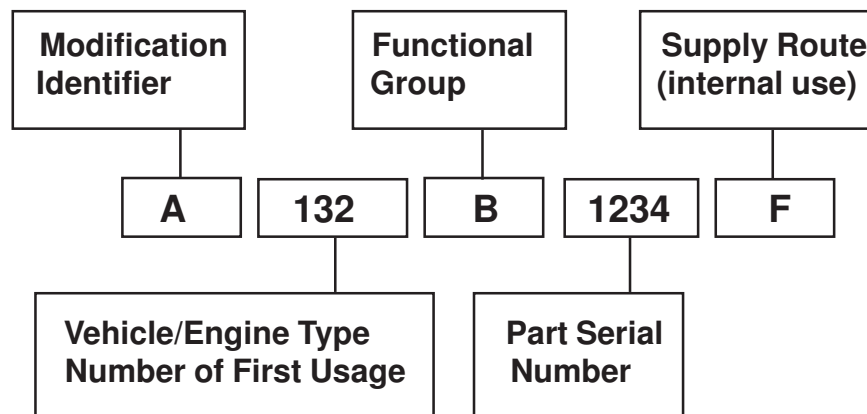
Whilst every care has been taken to ensure correctness of information, it is impossible to guarantee complete freedom from omissions and errors, or to accept liability arising from such errors or omissions, but nothing herein contained shall affect your statutory rights.

USE OF THE PARTS LIST

This parts list covers the Evora range, 2009 model year onwards. The manual is arranged in function groups, as defined by the Contents page, and may sometimes use several versions of the same function group to accommodate model variations - take care to establish the full vehicle specification in order to properly identify the applicable parts list section.

PART NUMBERS

Part numbers used in this publication are in the format as follows:



Modification Identifier: This letter identifies a version or modification of the part. Part numbers with different prefix letters may or may not be interchangeable - refer to the remarks and option columns.

Vehicle/Engine Type Number: The type number indicates either the model or engine type on which the part was first used.

026, 036, 045, 500....Elan	079....Esprit S1/S2/S2.2	089....Excel	120....Elise111R	127....2-Eleven	907....4 cyl. 2.0 NA
050....Elan+2	082....Esprit Turbo	100....Elan 1990	121....Elise USA	128....Exige S (euro)	910....4 cyl. 2.2 turbo
046, 054, 065, 074....Europa	083....Elite S2	111....Elise	122....Exige 2	129....Exige S (fed)	912....4 cyl. 2.2 NA
075....Elite S1	084....Eclat S2	340....340R	123....Exige USA	131....Elise S (1ZZ)	920....4 cyl. 2.0 turbo
076....Eclat S1	085....Esprit S3	117....Elise 2 (Rover)	124....Europa 2006	132....Evora	918....V8 3.5 turbo

Functional Group: A single letter indicating the functional area of the parts first use

A = Chassis

E = Engine

J = Brakes

P = Heater & AC

U = Hard Trim

B = Body

F = Transmission

K = Cooling

Q = Clutch

V = Soft Trim

C = Front Suspension

G = Wheels & Tyres

L = Fuel System

R = Final Drive

W = Standard Fixings

D = Rear Suspension

H = Steering

M = Electrics

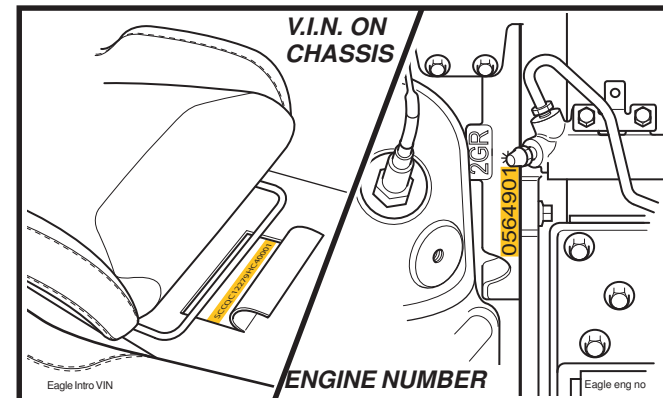
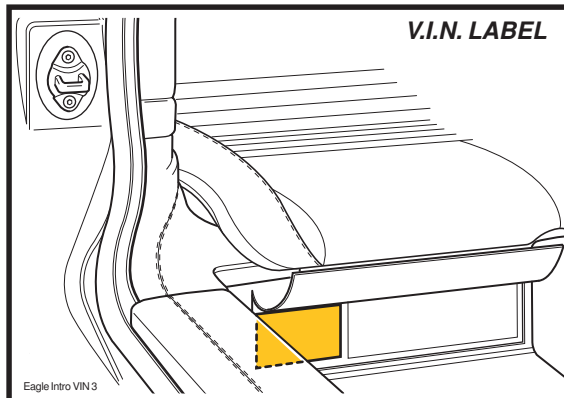
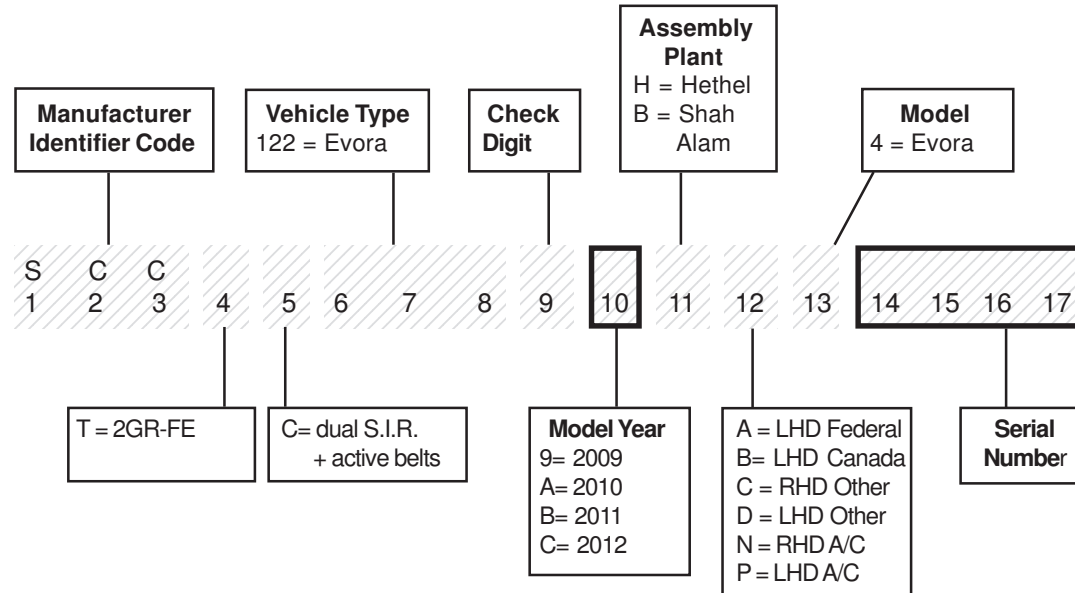
S = Exhaust

VEHICLE IDENTIFICATION NUMBER & ENGINE NUMBER

The Vehicle Identification Number (V.I.N.) is stamped on the chassis on the right hand front seat support crossmember, viewable beneath the rear carpet, and is also printed on a label stuck to the tank bay behind the driver's seat. The engine number is marked on a vertical patch at the right hand side of the rear face of the cylinder block, adjacent to the clutch housing.

Both numbers should always be quoted with any vehicle enquiries, as Factory records are filed against V.I.N., and specification change points are identified by V.I.N. or engine number. The vehicle licence number should be considered irrelevant, since it may not accurately reflect the vehicle age, and may also be changed during the car's life.

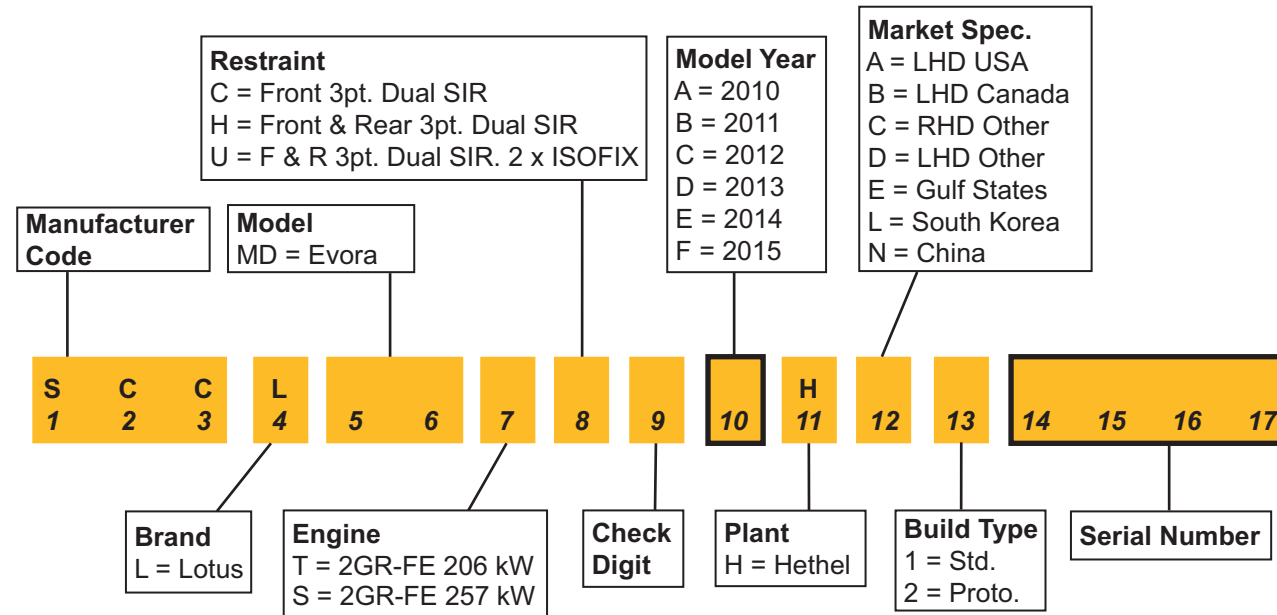
The V.I.N. comprises 17 characters, coded in accordance with European Economic Community (EEC) directives. For change point identification in Service Notes and Service Parts Lists, characters 10 (model year) and 15 - 17, or 14 - 17 (serial number) will be quoted.



EVORA

Updated 15th March 2012

2010 M.Y. serial no. 0360 onwards



MODEL HISTORY

Evora Introduction:

First deliveries commence June 2009 at '09 VIN serial number 0721.

EVORA

Updated 4th April 2013

MODEL HISTORY MILESTONES

Evora Introduction:

First deliveries commence June 2009 at '09 VIN serial number 0721.

Federal Evora Introduction: March 2010

VIN character 12 = A; from VIN number AH_10716.

Differences when compared with ROW Evora include:

Different driver and passenger airbags, driver and passenger seats, ABS module incorporates ESP (Electronic Stability Control). Foam inserts behind front and rear bumpers and the addition of side marker lamps. Emergency interior release handle for tailgate.

Electrical Sirius satellite system available with 'Tech Pack'

Evora S (Supercharged) new features for base Evora (Non-USA): December 2010

VIN character 7 = S indicates supercharged engines from '11MY VIN BH_11178

S updates only

Engine (S only): Harrop HTV1320 supercharger fitted with higher flow fuel injectors, uprated fuel pump, revised spark plugs.

Exhaust system: incorporates an exhaust silencer flap operated by an integrally mounted vacuum by-pass valve.

Cooling: fitted with twin front mounted air/oil coolers,

Body (S only): door mirror covers painted Phantom Black (Lotus code B123) as standard. Rear undertray: Additional integral underside air scoop used in conjunction with existing NACA ducts. New diffuser panel to accommodate distinctive diffuser finisher and tri-oval tailpipe silencer. Addition of the 'S' logo to the existing Evora rear bumper badge, Front intake grilles: Front bumper side intake grilles revised and blanking plates removed to allow airflow to the oil coolers.

Brakes (all models): revised ABS module incorporating electronic stability control (also referred to as Lotus DPM). Cross drilled brake discs and black painted callipers fitted to supercharged models as standard.

Suspension: front lower wishbones revised (S only). Front upper wishbones revised (all models). *Rear suspension:* both upper and lower wishbones revised and rear anti-roll bar diameter increased (S only).

Wheels & tyres: Optional Front 19" Rear 20" Forged alloy Diamond Cut "Design" fitted wheels with Bespoke Pirelli P-Zero Corsa tyres with specially formulated compound identified with an LS marking on sidewall.

Transmission (S only): sports ratio gearbox fitted as standard, lightweight low inertia flywheel and heavy duty clutch (S only). Revised pedal box and clutch master cylinder (all models). Clutch line damper in fluid line, inertia weights fitted to gearbox

crank lever selector, new low loss motion and low friction gearshift cables (all models).

Electrical (all models): heated front seats, interior tailgate release button, additional 12V aux power socket in centre console.

Air bags (all models): Federal airbags and seats carried over to all markets and referred to as 'Global system'.

See TSB 2010/17 for further information.

Introduction of the Federal Evora S and specification enhancements carried over to base Evora: May 2011

VIN character 7 indicates the engine specification.

T = naturally aspirated

S = supercharged

Evora S introduced at '11MY VIN BHA11652

Base Evora enhancements introduced at '11MY BH_11178

New features and specifications similar to those of non-USA Evora S introduced December 2010.

See Technical Service Bulletin TSB 2011/18 for further information

Introduction of the Evora IPS (Intelligent Precision Shift) Non USA: March 2011

Introduced from '11MY VIN BH_11746

Same vin characters as naturally aspirated Evora

Electrical: TCU (Transmission Control Unit) to control IPS transmission.

Transmission: 6 speed U660E conventional fluid filled automatic transmission and torque converter assembly electronically controlled with shift by wire actuator.

Interior: Paddle shifters added to steering wheel, centre console fitted with PRND selector.

Cooling: The same front mounted air/oil coolers used on the Evora 'S' for engine oil cooling are now used to cool the transmission fluid with the sandwich plate/thermostat assembly now mounted remotely to the rear bulkhead.

See TSB 2011/13 for further information.

Updated 23rd May 2012

Introduction of the '12 model year Evora range and S with IPS transmission (Supercharged with Intelligent Precision Shift). (Non USA): August 2011

VIN character 10 = C Serial number restarts at 0001, common to all.

VIN character 7 indicates the engine specification.

T = naturally aspirated (Manual or IPS).

S = supercharged (Manual or S with IPS transmission) variants.

Body styling: Unchanged with the following exceptions: Door mirror covers: All supercharged models will retain Phantom Black painted covers (Lotus code C123 Cromax Pro painting system) as standard. Exterior door handles: The chrome option has been deleted with only body coloured options available. Diffuser panel: The diffuser panel fitted to the supercharged manual vehicle is also fitted to the S with IPS transmission option to accommodate distinctive diffuser finisher and tri-oval tailpipe silencer. *Badges:* The 'S' logo will also be applied to the rear bumper on the S with IPS transmission option. Front bumper: To accommodate the rationalisation of the engine and transmission oil cooler arrangements, the side intake apertures on the front bumper are revised to accept new front grilles and inlet ducts. The grilles are now bolted to the bumper with the corresponding LH/RH ducts located behind them being closed off if an oil cooler is not required on that side. Rear lamp bezels: Supercharged vehicles will have black bezels; naturally aspirated vehicles will continue to use the existing chrome versions.

Seats: New leather seat colours are available dependant on interior pack option selected (Base, Executive Premium or Sports Premium). Ebony black, Ivory white, Venom red, Cognac brown, Imperial blue, Cocoa brown, Ash brown. Rear seats and relevant interior trims are coloured to match.

Interior trims: A new colour (dark grey) introduced in addition to the current grey option, beige colour trim is deleted for '12 model year. Specific interior trims are coloured black to denote 'Supercharged' variant.

In Car Entertainment: For specific markets the Alpine IVA-W520R 2 DIN Mobile Media Station is replaced with the Pioneer AVIC-930BT 2 DIN head unit.

Exhaust: An exhaust silencer incorporating an EP (Engine Protection) valve is now be fitted to all '12MY vehicles as standard equipment. *Catalytic converters:* The main/under-floor catalytic converter is deleted and replaced with a link pipe.

Engine cooling: Oil cooling for both supercharged manual and IPS transmission vehicles is rationalised with the fitment of only a single larger engine oil cooler mounted ahead of RH front wheelarch. *Transmission fluid cooling:* Both supercharged and naturally aspirated IPS transmission vehicles is also rationalised with the fitment of a single larger transmission fluid oil cooler mounted ahead of LH front wheel arch.

Brake and Power Assisted Steering pipes: fitted to the RH have been revised to allow for the fitment of an additional cooler hose and revised cooler arrangement.

Manual Transmission: The standard ratio gearbox option is deleted for naturally aspirated vehicles, and the sports ratio gearbox is now fitted as standard.

Brake Discs: Cross drilled brake discs fitted to all supercharged models as standard equipment. *Brake Callipers:* Red painted callipers replace the black coloured option

and are fitted as standard to all supercharged vehicles or included in the 'Sports Pack' option for naturally aspirated vehicles. Bare metal callipers are fitted as standard to naturally aspirated vehicles.

Suspension Wishbones and rear anti-roll bars: '12 model year IPS and S with IPS transmission vehicles are fitted with the 'S' type wishbones and larger diameter rear anti-roll bar. This will also be implemented as a production running change to naturally aspirated manual vehicles at a later date.

Optional Wheels: New Front 19" Rear 20" Forged wheels are available in both Gloss Black and Stealth Grey which are based on the 19"/20" alloy Diamond Cut designs launched with the Evora S but without the machined faces which are now deleted.

See Technical Service Bulletin TSB 2011/25 for further details.

Introduction of the '12 MY Federal Evora range and S with IPS transmission (Supercharged with Intelligent Precision Shift): February 2012

VIN character 10 = C Serial number starts at CH_10089

VIN character 7 indicates the engine specification.

T = naturally aspirated (Manual or IPS).

S = supercharged (Manual or S with IPS transmission) variants.

New features and specifications for '12MY Federal Evora are similar to those of '12MY non-USA one major difference is that the main/under-floor catalytic converter is **NOT** deleted or replaced with a link pipe.

See Technical Service Bulletin TSB 2012/02 for further details.

Updated 23rd May 2012



10.00 Body

- 10.01 Body: Front & Rear Clamshells & Fixings
 - 10.02 Body: Bodysides, Windscreen Frame & Rear Bulkhead
 - 10.04 Crash Structures
 - 10.09 Front Services Access Panels
 - 10.11 Tailgate & Release Mechanism
 - 10.13 Engine Compartment, Cover, Latch Mechanism
 - 10.15 Door Shells, Beams, Hinges
 - 10.17 Door Latch Mechanism
 - 10.17a Door Latch Mechanism (Inteva)
 - 10.23 Bumpers, Valences Spoilers & Aerofoils
 - 10.25 Undertray & Diffuser
 - 10.31 Towing Strut/ Hook
-

11.00 Glazing and Seals

- 11.01 Windscreen, Door Glass, Seals & Weather Strips
 - 11.02 Door Window Lift Mechanism
-

12.00 Exterior Fittings

- 12.01 Wheelarch Liners
 - 12.03 Grilles and Louvres
 - 12.04 Roof Panel, Seals & Fixings
 - 12.05 Decals, Badges & Protective Film
 - 12.07 Licence Plate Mountings
 - 12.09 Exterior Driving Mirrors
-

13.00 Seats & Seat Belts

- 13.01 Seat Runners
- 13.02 Seat Assemblies, front
- 13.19 Seat Assembly, rear
- 13.27 Seat Belts, front

- 13.29 Seat Belts, rear
-

14.00 Pedal Box & Fascia

- 14.01 Pedal Box, Pedals, Throttle Control
 - 14.05 Fascia Structure & Supporting Hardware
 - 14.12 Passenger Fascia: Glovebox Assembly
-

15.00 Interior Trim

- 15.05 Interior Driving Mirror & Sunvisors
 - 15.07 'A' Pillar Interior Trim
 - 15.09 'B' & 'C' Pillar Interior Trim.
 - 15.11 Interior Trim & Stowage Provision
 - 15.12 Interior Luggage Retention, Evora 2 seat
 - 15.13 Front Door Trims
 - 15.18 Interior Trim, Chassis Trim Panels
 - 15.19 Centre Tunnel Trim, Gear Lever Gaiters/Shrouds
 - 15.23 Luggage Compartment Stowage
 - 15.24 Luggage Compartment Carpet
 - 15.30 Carpeting & Mats
-

16.00 Sound Insulation

- 16.01 Passenger Compartment Sound Insulation
-

17.00 Electrical

- 17.01 Harnesses, Leads
- 17.03 Horn, Inertia Switch, Modules, Fuses & Relays
- 17.05 Interior Switches, Auxiliary Power Socket
- 17.06 Engine Management & Sensors
- 17.07 Instruments, Tell Tales, & Displays
- 17.09 Transmission Management & Sensors
- 17.11 Exterior Lamps, Except Headlamps
- 17.13 Headlamps



- 17.17 Interior Lamps
- 17.21 Windscreen Wiper Motor, Wipers & Washers
- 17.27 In Car Entertainment
- 17.27a In Car Entertainment Fed
- 17.31 Battery, Clamps, & Cables
- 17.33 Security Alarm System, Parking Sensors & Camera
- 17.35 Other Electrical, SIR: Inflator Modules, DERM & Sensors

18.00 Heating, Ventilation, Air Conditioning

- 18.01 Heater/ Air Conditioning Assemblies, Housings
- 18.03 AC Components, Pipes, Hoses
- 18.05 Heater, Pipes, Hoses
- 18.09 Driver Operated Controls
- 18.12 AC/Heater Air Distribution Plenum
- 18.13 Air Trunking, Ducts & Ventilators
- 18.13a Air Trunking, Ducts & Face Level Vents
- 18.14 AC Air Recirculation System

19.00 Labels & Literature

- 19.01 Labels, Certificates, Literature etc.
- 19.03 Owner's Handbooks & Service Notes Manuals

30.00 Chassis

- 30.01 Chassis, Subframes
- 30.02 Seat Belt Mounting Frames, Stays

31.00 Suspension

- 31.01 Front Suspension, Incl. Hubs
- 31.03 Rear Suspension, Incl. Hubs

32.00 Steering

- 32.03 Power Steering unit, Reservoir, Plumbing

- 32.05 Upper Column, Steering Wheel

33.00 Brakes

- 33.01 Brake Discs, Calipers, & Parking Brake Assembly
- 33.03 Master Cylinder, Servo, ABS Controller, Pipes & Hoses
- 33.05 Parking Brake Mechanism

34.00 Wheels & Tyres

- 34.01 Wheels, Tyres & Valves

40.00 Engine

- 40.00 Engine Assemblies
- 40.01 Engine Block & Oil Pick up
- 40.01a Engine Mounts
- 40.02 Gaskets & Sealants, Top Overhaul Set
- 40.02a Gaskets & Sealants, Bottom Overhaul Set
- 40.03 Sump Assembly
- 40.05 Cylinder Head, Valves, Springs
- 40.07 Camshafts, Tappets, Cam Cover
- 40.08 Camshaft Drive Chain & Sprockets
- 40.09 Pistons, Con-rods, Liners
- 40.11 Crankshaft, Bearings, Flywheel
- 40.13 Water Pump Assembly, Thermostat
- 40.15 Lubrication System
- 40.17 Ignition System, Spark plugs & Plug Top Coils
- 40.19 Alternator and Starter Motor
- 40.21 Exhaust Manifold
- 40.23 AC Compressor
- 40.25 Power Steering Pump, Pulley, Mounts & Fixings

41.00 Belts and Pulleys

- 41.03 Auxiliary Drive Belts & Pulleys



42.00 Induction Systems

- 42.01 Airboxes, Trunking & Air Filters
- 42.04 Throttle Body, Mechanism & IAC Valve
- 42.05 Fuel Injection System
- 42.07 Inlet Manifold, Plenum & gaskets
- 42.09 Supercharger

43.00 Emission Equipment

- 43.03 Vacuum System, Hoses, Pipes & Fittings

44.00 Fuel System

- 44.01 Fuel Tanks, Filler
- 44.03 Fuel Pump; Filter, Pipes
- 44.05 Charcoal Canister & Evaporative Loss System.

45.00 Exhaust

- 45.01 Exhaust System
- 45.05 Heatshields

46.00 Cooling

- 46.01 Engine Cooling System & Fan
- 46.03 Oil Cooler/Heat Exchanger & Pipes
- 46.05 Engine Bay Cooling, Ducts & Trunking
- 46.06 Twin Oil Cooler System Engine / Transmission
- 46.07 Single Oil Cooler System Engine
- 46.08 Single Oil Cooler System Transmission

47.00 Transmission

- 47.01 Clutch & Release Mechanism
- 47.02 Automatic Transmission
- 47.03 Transmission Assembly
- 47.04 Gearchange Mechanism, Auto

- 47.05 Gearchange Mechanism, External
- 47.06 Gear Selector Mechanism, Internal
- 47.07 Gears, Shafts & Bearings
- 47.08 Torque Converter
- 47.11 Final Drive & Bearings
- 47.15 Driveshafts & Seals

60.00 Special tools

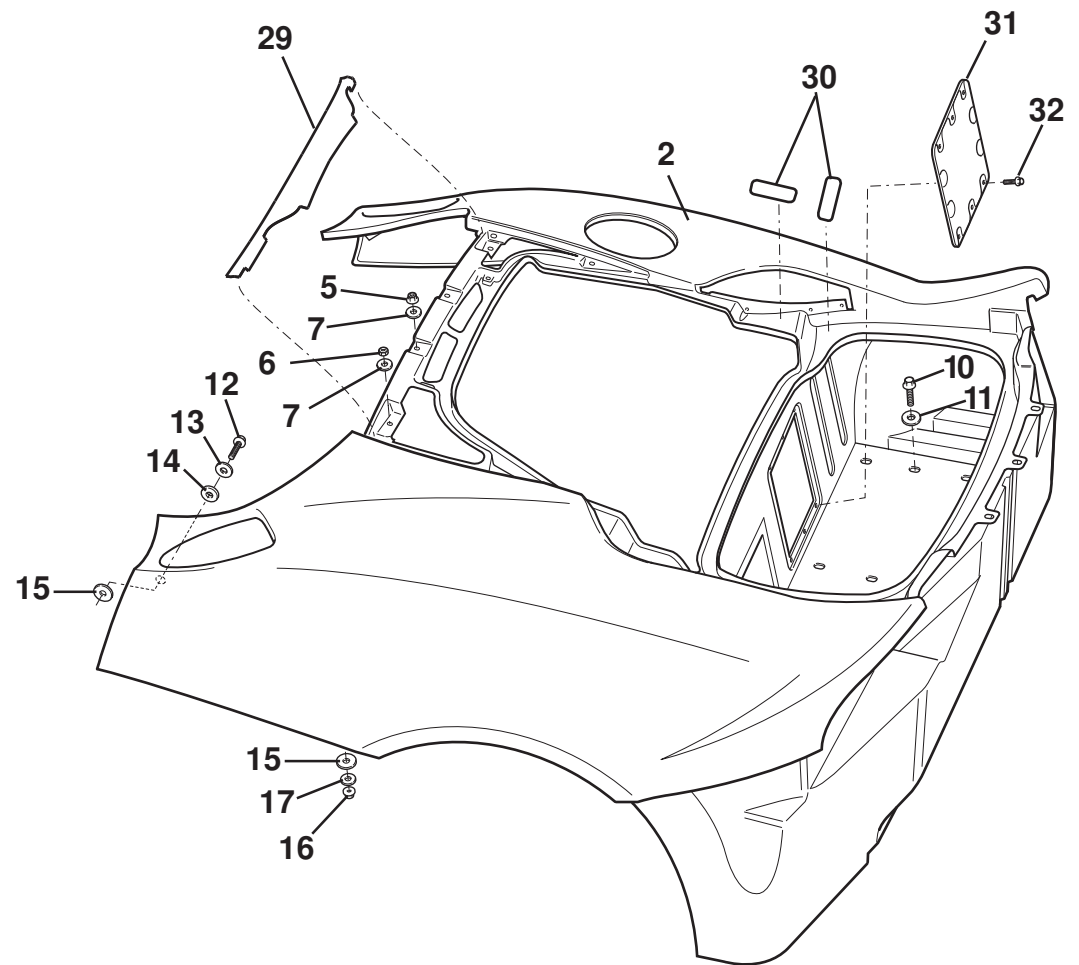
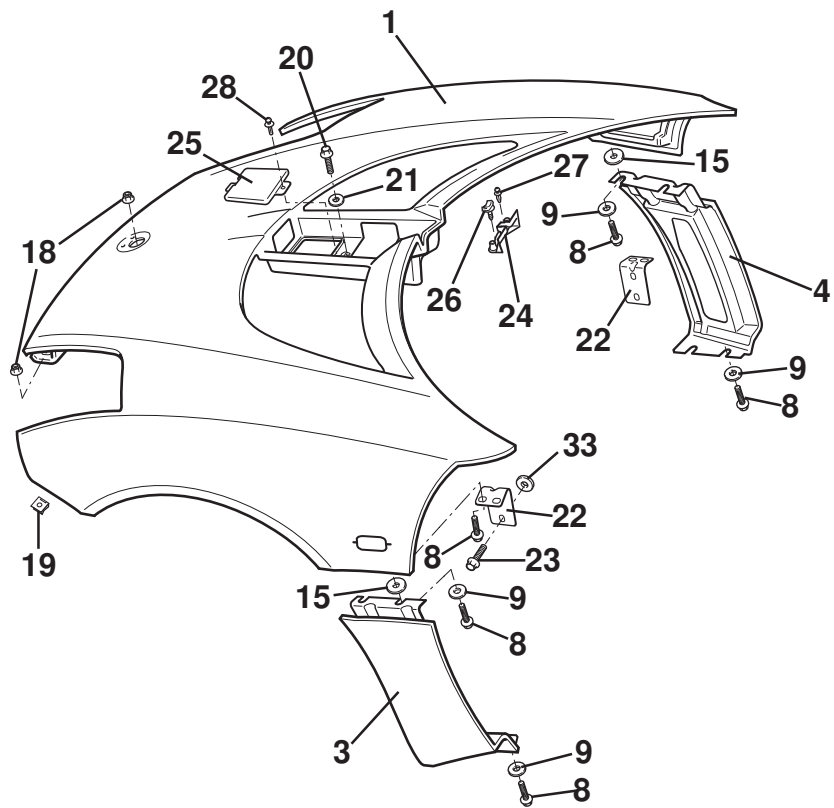
- 60.00 Special Tools
- 60.01 Tool Kit
- 60.01a Diagnostic Equipment
- 60.02 Special Tools
- 60.03 Fire Extinguisher, Gulf States

80.00 Bulk Items

- 80.20a Touch-in Paint Pencil Range

90.00 Special Editions

- 99.01 GP Edition
 - 99.02 Heritage Edition
-



EVORA
10.01

Updated 27th february 2013

Service Parts List

EVORA



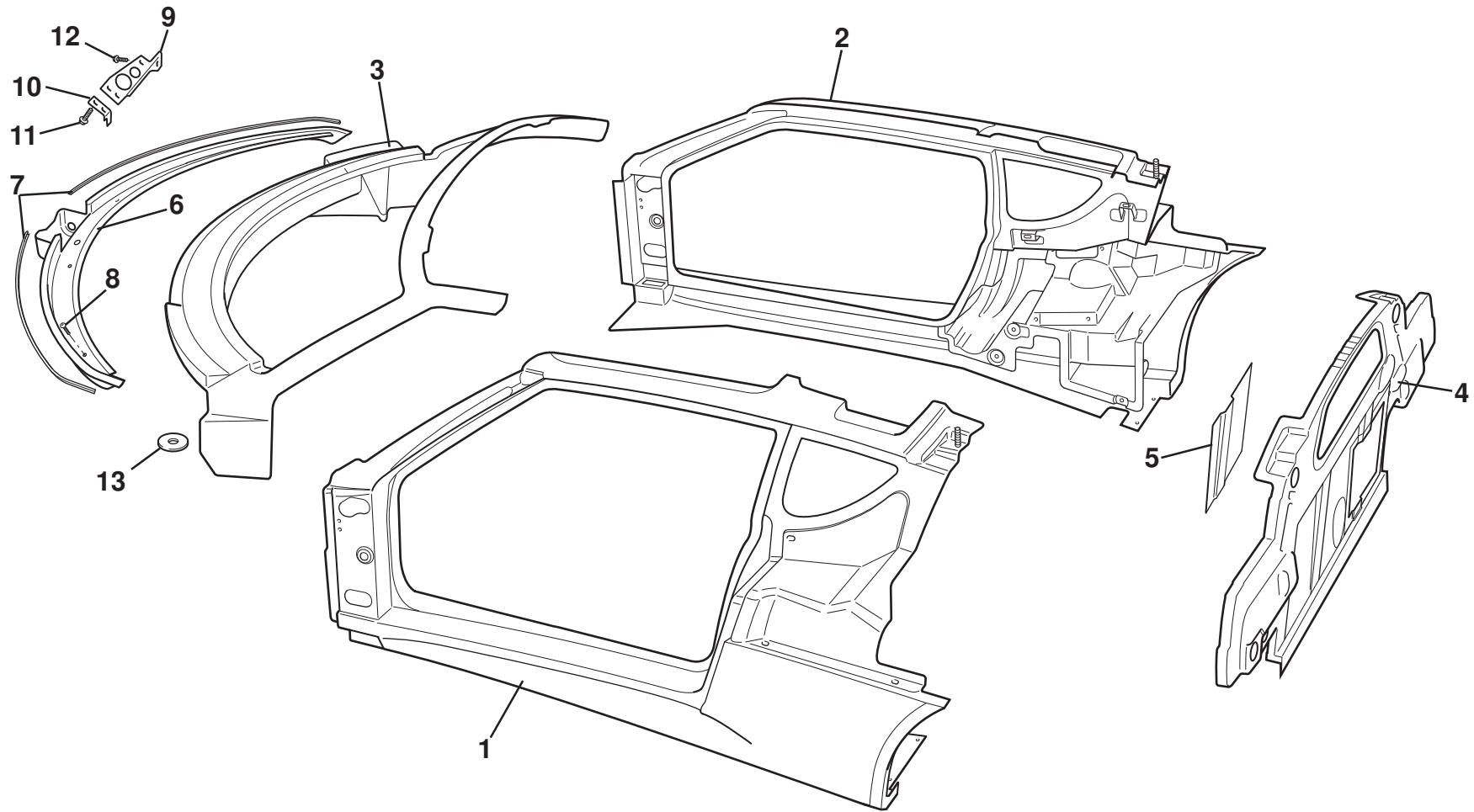
Function Code 10.01 Body: Front & Rear Clamshells & Fixings

<u>Dep</u>	<u>Part Description</u>	<u>Remarks</u>	<u>Option</u>	<u>Part Number</u>	<u>Qty</u>
01	Clamshell, front		Primed	A132B0008K	1
02	Clamshell, rear		Primed	A132B0026K	1
03	'A' Panel, LH		Primed	A132B4007K	1
04	'A' Panel, RH		Primed	A132B4008K	1
05	Nut, M8, flg., rear clamshell to roof			A132W3006F	2
06	Nyloc Nut, M8, thin, rear clamshell to roof			A907E6284F	2
07	Washer, M8 x 20 x 1.5 S/S, rear clamshell to roof			A111W4176F	4
08	Screw, M6 x 20, hex. flg. hd., 'A' panel + clam. Fixing			A132W5004F	10
09	Washer, flat, M6 x 18 x 1.0, 'A' panel fixing			A082W4018F	8
10	Screw, M8 x 30, hex. flg. hd., rear clam. to subframe			A132W5009F	8
11	Washer, flat, M8 x 25 x 1.5 S/S rear clam. to subframe			B075W4021Z	8
12	Screw, M6 x 16, hex. flg. hd., rear clam. to bodyside			A132W5003F	2
13	Washer, flat, M6 x 25 x 1.4 S/S, rear clam. to bodyside			B075W4017Z	2
14	Neoprene Washer, rear clam. to bodyside			A111U6055F	2
15	Shim, 9 x 28 x 3, clamshell setting			A124B0255F	As req.
15a	Shim, 9 x 28 x 2, clamshell setting			A124B0256F	As req.
15b	Shim, 9 x 28 x 1 'C' type, clamshell setting			A124B0257F	As req.
16	Nyloc Nut, M6, thin, rear clam. to bumper			A907E6285F	6

EVORA

Function Code 10.01 Body: Front & Rear Clamshells & Fixings

<u>Dep</u>	<u>Part Description</u>	<u>Remarks</u>	<u>Option</u>	<u>Part Number</u>	<u>Qty</u>
17	Washer, flat, M6 x 25 x 1.4 S/S, rear clam. to bumper			B075W4017Z	6
18	Nut, flg. M6, clamshell to subframe			A121W3196F	4
19	Spirenut, M5, clamshell to bumper front			B100W6372F	4
20	Screw, M6 x 20, hex. flg. hd., front clamshell fixing			A132W5004F	2
21	Washer, flat, M6 x 18 x 1.6, front clamshell fixing			A121W4196F	2
22	Bracket, front clamshell rear outer fixing			A132U0369F	2
23	Screw, M6 x 20, hex. flg. hd., bracket to chassis			A132W5004F	4
24	Infill Panel, front clamshell	Mounts screenwash jet + hatch buffers		C132U0310F	1
25	Cover, HVAC pollen filter access			A132U0391F	1
26	Plastic Fastener, infill to clamshell			A100W6481F	1
27	Fir Tree Saddle, cable tie, infill to clamshell			A082W6293F	1
27a	Cable Tie, screenwash harness	Not illustrated, used with item 27		A075W6038F	1
28	Plastic Fastener, cover to clamshell			A100W6391F	1
29	Film, water deflector			A132U0466F	1
30	Protective Film	Supplied in sheets		A132X0023F	1
31	Boot Access Panel	See 1601 for insulation		A132B0121F	1
32	Screw M6 x 14 flg hd, access panel			A116W5233F	6
33	Spacer, frt clam to tub			A132U0496F	4



EVORA

10.02

Updated 16th July 2012

Service Parts List



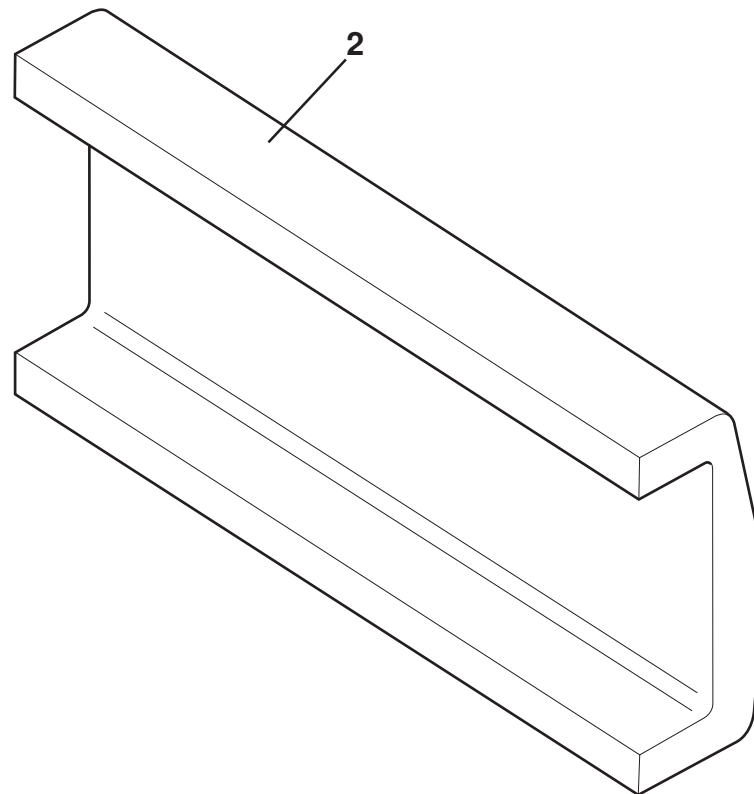
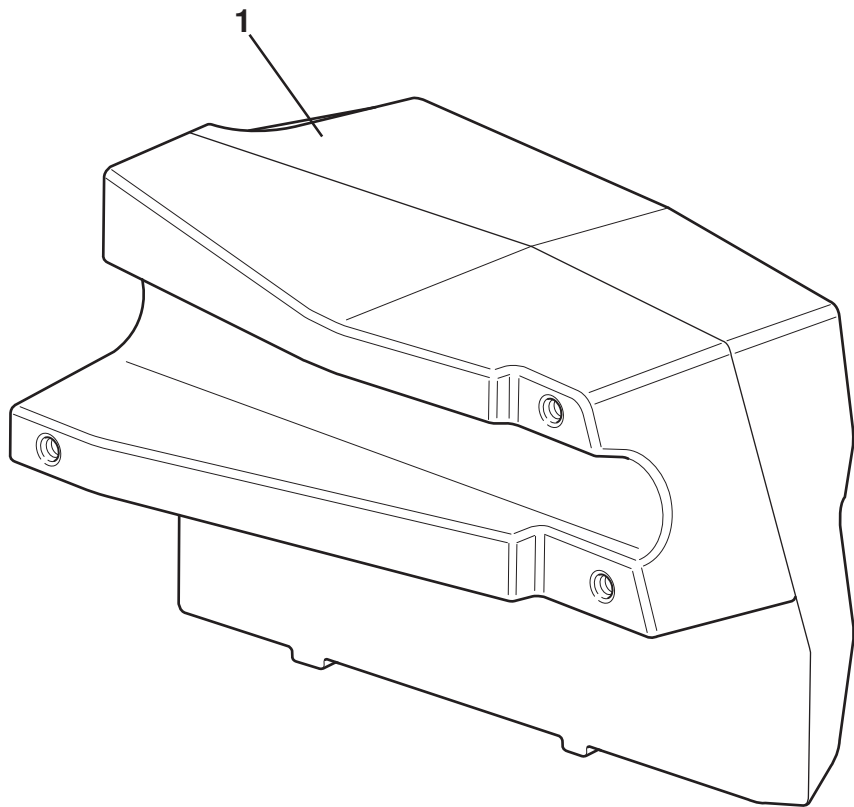
Function Code 10.02 Body: Bodysides, Windscreen Frame & Rear Bulkhead

<u>Dep</u>	<u>Part Description</u>	<u>Remarks</u>	<u>Option</u>	<u>Part Number</u>	<u>Qty</u>
01	Bodyside Assembly, LH		Primed	A132B4031K	1
01a	Bodyside Assembly, LH		Primed. MY12	D132B4031K	1
02	Bodyside Assembly, RH		Primed	A132B4032K	1
02a	Bodyside Assembly, RH		Primed, MY12	D132B4032K	1
03	Windscreen Frame Assembly		Primed	A132B0039K	1
04	Rear Bulkhead Assembly			A132B0107J	1
04a	Rear Bulkhead Assembly	Additional fixings	Auto (NA & S/Charged)	A132B0186J	1
05	Access Panel, rear bulkhead			A132B0120F	1
06	Gutter Panel, windscreen, LHD			B132U4357J	1
06a	Gutter Panel, windscreen, RHD			B132U4358J	1
07	Seal, gutter to clamshell			A132U0390F	2
08	Screw, button skt hd.m5 x 12 blk, gutter to frame			A132W5033F	4
09	Bracket, support windscreen frame RHD		S/Charged (man & auto)	C132B4098F	1
09a	Bracket, support windscreen frame RHD			B132B4098F	1
09b	Bracket, support windscreen frame LHD		S/Charged (man & auto)	C132B4097F	1
09c	Bracket, support windscreen frame LHD			B132B4097F	1
10	Bracket, support windscreen frame RHD		S/Charged (man & auto)	A132B0202F	1
11	Screw, M6 x20 flg hd. bracket to pedalbox			A132W5004F	2



Function Code 10.02 Body: Bodysides, Windscreen Frame & Rear Bulkhead

<u>Dep</u>	<u>Part Description</u>	<u>Remarks</u>	<u>Option</u>	<u>Part Number</u>	<u>Qty</u>
12	Screw, M8 x20 flg hd. windscreen frame to bracket			A132W5005F	3
13	Spacer, 4.6mm, windscreen frame to chassis			A132U0225F	2

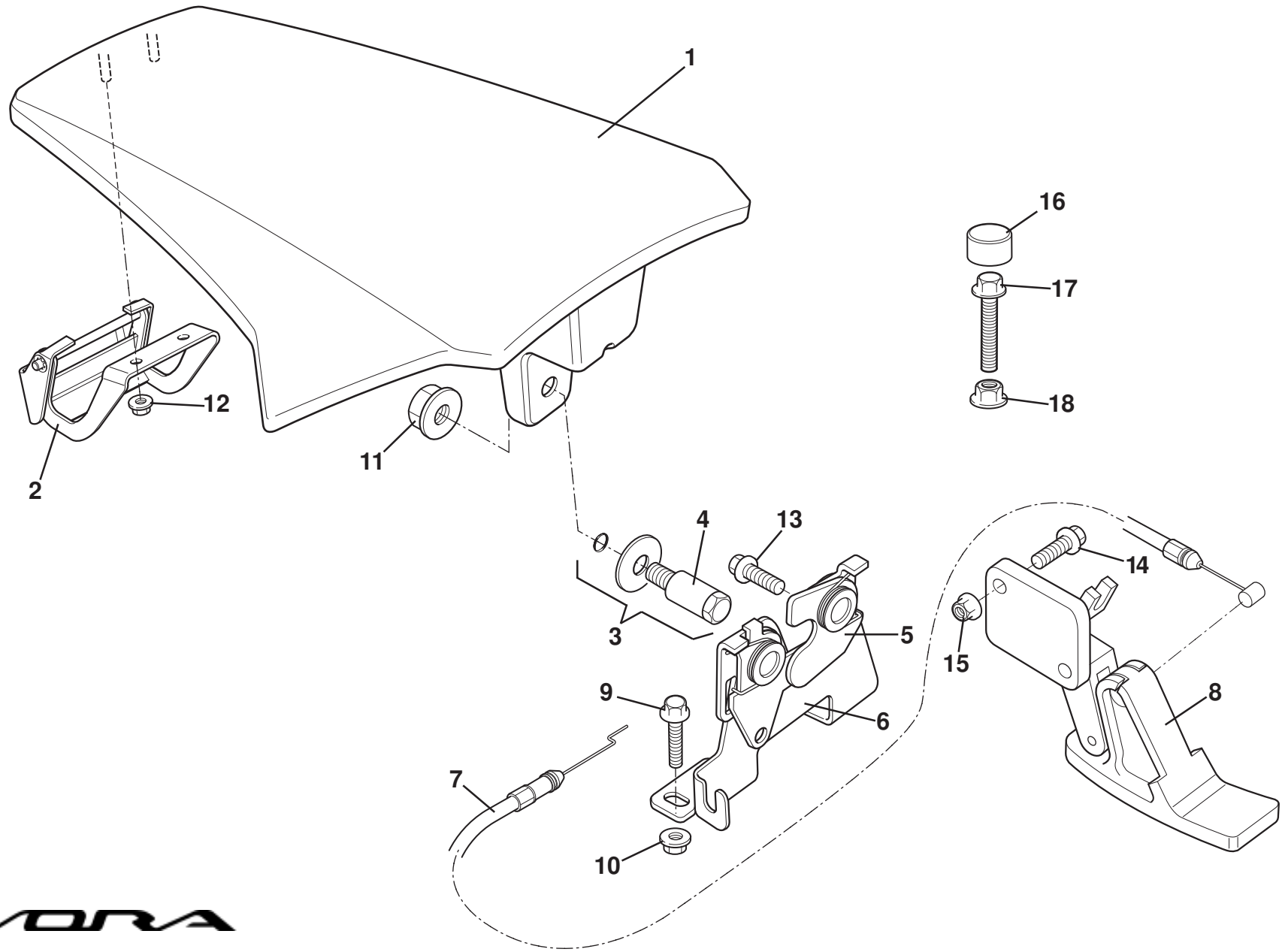


EVORA

10.04

Function Code 10.04 Crash Structures

<u>Dep</u>	<u>Part Description</u>	<u>Remarks</u>	<u>Option</u>	<u>Part Number</u>	<u>Qty</u>
01	Foam, side impact, side, LH			C132B4073F	1
01a	Foam, side impact, side, RH			C132B4074F	1
02	Foam, side impact, door			B132B0050F	2



EVORA
10.09

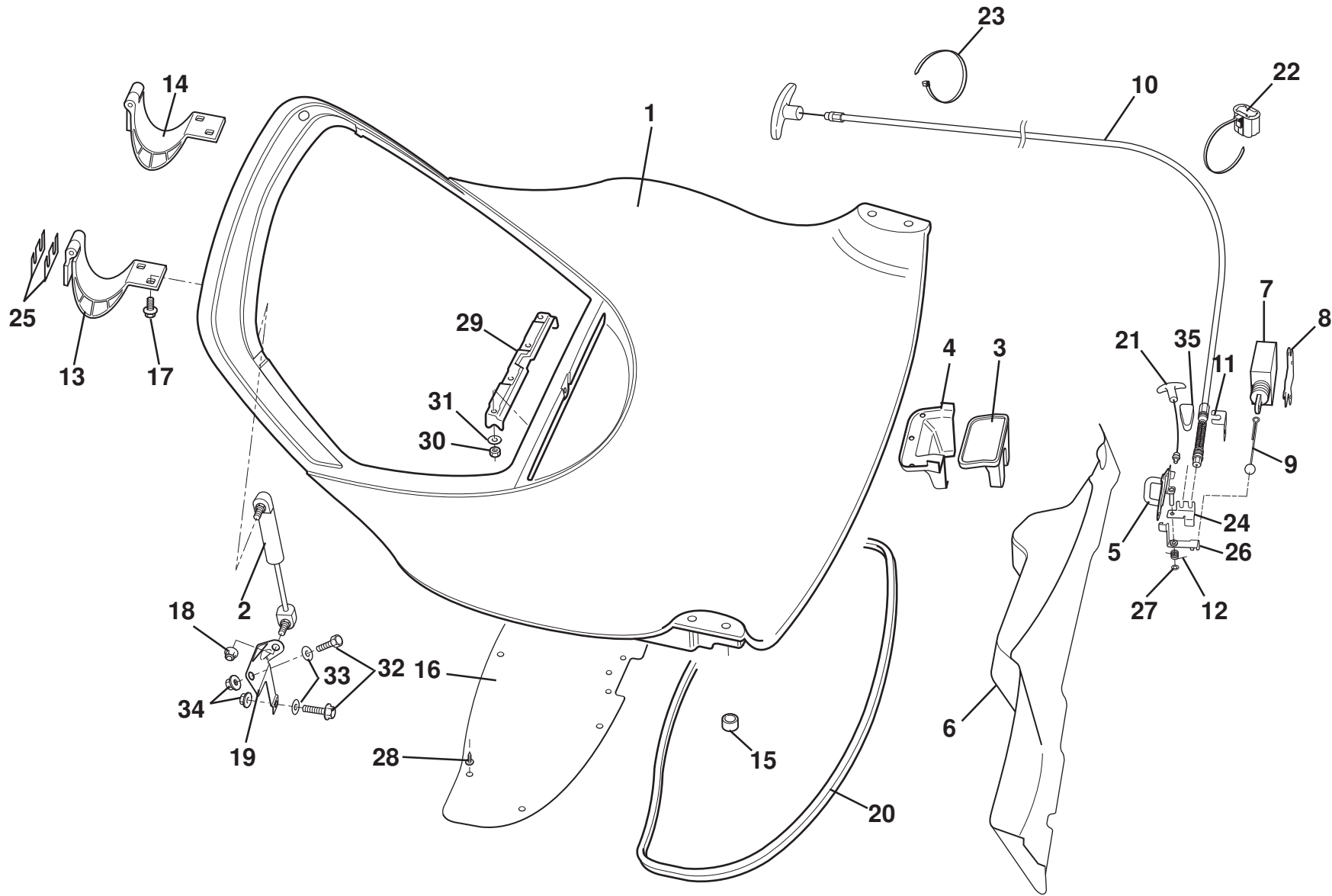
Service Parts List



Function Code 10.09 Front Services Access Panels

<u>Dep</u>	<u>Part Description</u>	<u>Remarks</u>	<u>Option</u>	<u>Part Number</u>	<u>Qty</u>
01	Access Hatch, front		Primed	A132B0013K	1
02	Hinge Assembly, front hatch			B132U0034F	1
03	Striker Bolt Assembly			A132U6051F	1
04	Collar, striker pin			A132U0379F	1
05	Latch Assembly			A132U6088F	1
06	Plate, latch mounting			B132U0274F	1
07	Cable Assembly, hatch release			A132U0370F	1
08	Lever, hatch release			A132B6028F	1
09	Screw, M6 x 12, hex. flg. hd., latch plate to body			A132W5010F	3
10	Nut, flg. M6, latch plate to body			A117W3180F	3
11	Nut, flg. M8, striker to hatch			A132W3006F	1
12	Nyloc Nut, flg, M5, hinge to hatch			A132W3000F	2
13	Screw, M6 x 14, hex. flg. hd., latch to plate			A116W5233F	2
14	Screw, M6 x 20, hex. flg. hd., lever to bracket			A132W5004F	2
15	Nut, flg. M6, lever to bracket			A117W3180F	2
16	Rubber Buffer, hatch stop			X046B6113Z	2
17	Screw, M6 x 30, hex. flg. hd., hatch stop			A124W5294F	2
18	Nut, flg. M6, hatch stop			A117W3180F	2





EVORA
10.11

Updated 27th february 2013

Service Parts List

EVORA



Function Code 10.11 Tailgate & Release Mechanism

<u>Dep</u>	<u>Part Description</u>	<u>Remarks</u>	<u>Option</u>	<u>Part Number</u>	<u>Qty</u>
01	Tailgate Assembly		Primed	A132B0060J	1
02	Strut, assist, tailgate lifting			C132B0058F	2
03	Latch, tailgate			A132B0069F	1
04	Cover, latch tailgate			B132U0063F	1
05	Striker Assembly, tailgate latching			A132B0144F	1
06	Cover, latch striker assembly			B132U0250F	1
07	Actuator, tailgate latch			A132M6050F	1
08	Bracket, actuator			B132M0080F	1
09	Cable, tailgate latch to actuator			A132B0129F	1
10	Handle & Cable Assembly, tailgate release manual			B132B0156F	1
11	Bracket, actuator cable abutment			A132B0143F	1
12	Spring, torsion. latch actuator			A132B6030F	1
13	Hinge Assembly, RH			E132U4224F	1
14	Hinge Assembly, LH			E132U4223F	1
15	Rubber Buffer, tailgate stop			A132U6049F	2
16	Trim Assembly, tailgate, carpet	Includes fixings		A132U0175J	1
16a	Trim Assembly, tailgate, black leather	Includes fixings		A132U0332J	1
16b	Trim Assembly, tailgate, chestnut leather	Includes fixings		A132U0347J	1

EVORA

Function Code: 10.11, Page: 1

Updated 27th february 2013

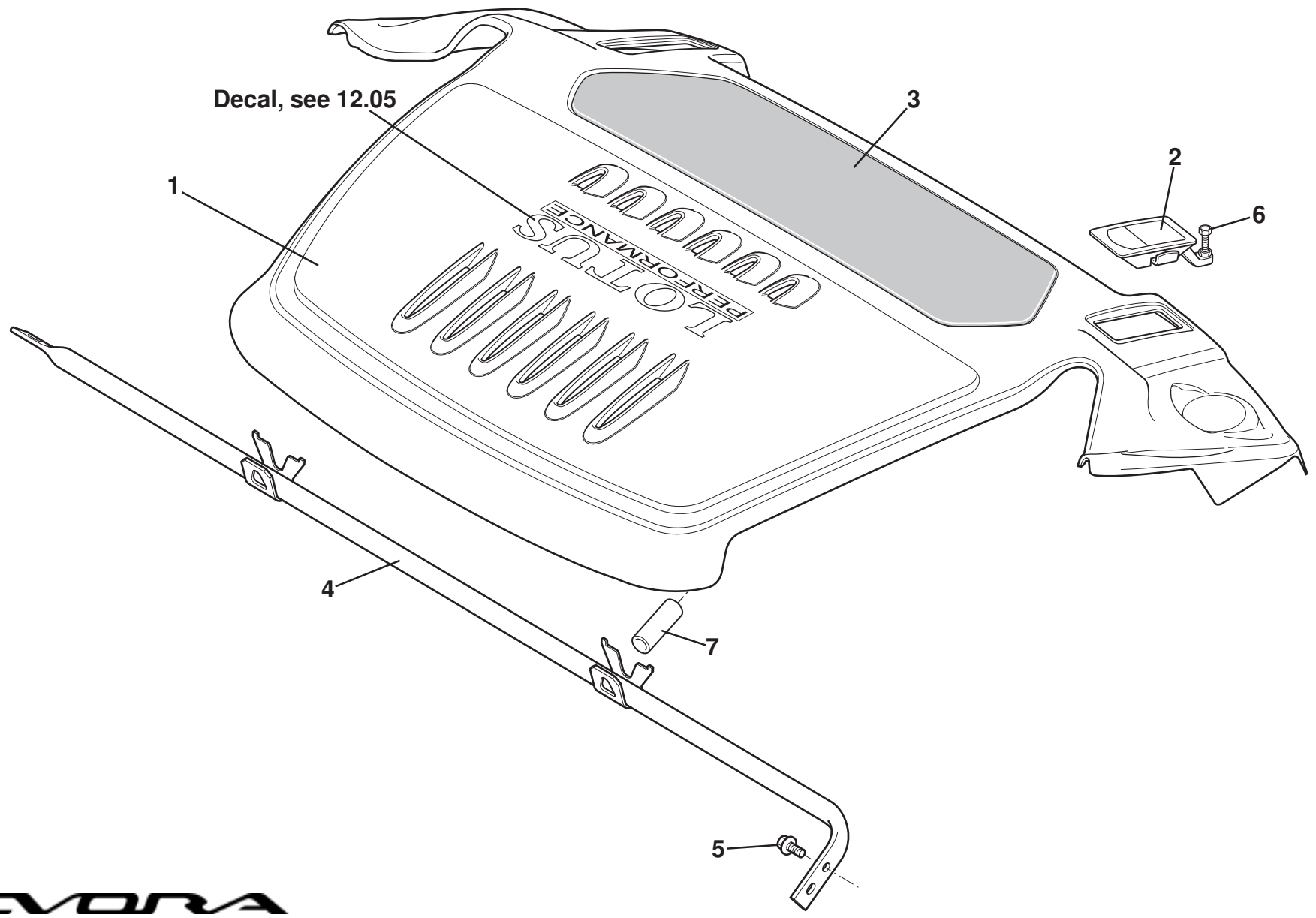
Function Code 10.11 Tailgate & Release Mechanism

<u>Dep</u>	<u>Part Description</u>	<u>Remarks</u>	<u>Option</u>	<u>Part Number</u>	<u>Qty</u>
16c	Trim Assembly, tailgate, paprika leather	Includes fixings		A132U0348J	1
16d	Trim Assembly, tailgate, oyster leather	Includes fixings		A132U0349J	1
16e	Trim Assembly, tailgate, cocobolo leather	Includes fixings		A132U0749S	1
17	Bolt, M8, special, hinge			A132B6010F	8
18	Nyloc Nut, M8, flange, strut retention			A132W3017F	4
19	Bracket, strut to body, LH			C132B4159F	1
19a	Bracket, strut to body, RH			C132B4160F	1
20	Weather Seal, bootbox			B132U0035F	1
21	Handle & Cable Assembly, emergency release, tailgate latch		USA/Canada	A132B0180F	1
22	Fixing Tie, tailgate cable			A132U6021F	3
23	Cable Tie, tailgate cable			A116K6020F	3
24	Rotor, tailgate latch actuator, manual			B132B0142F	1
25	Shim Hinge Stator Tailgate			A132U0352F	4
26	Rotor, tailgate latch actuator			B132B0127F	1
27	Washer, star			A124W6804F	1
28	Firtree, tailgate trim assembly			A116U0201F	7
29	Panel Baffle Tailgate Vent			A132B0185F	1
30	Nut Nyloc M4, panel baffle			A075W3049F	4
31	Washer FlatT M4 x 10 x 0.8, panel baffle			A075W4062F	4
32	Screw M8 x 25 hex hd blk, bracket			A120W1000F	4



Function Code 10.11 Tailgate & Release Mechanism

<u>Dep</u>	<u>Part Description</u>	<u>Remarks</u>	<u>Option</u>	<u>Part Number</u>	<u>Qty</u>
33	Washer M8 x 21 x 1.6 blk., bracket			A111W4159F	4
34	Nut M8 hex flg., bracket			A132W3006F	4
35	Foam Block		USA/Canada	A132A0361F	1



EVORA
10.13

Service Parts List

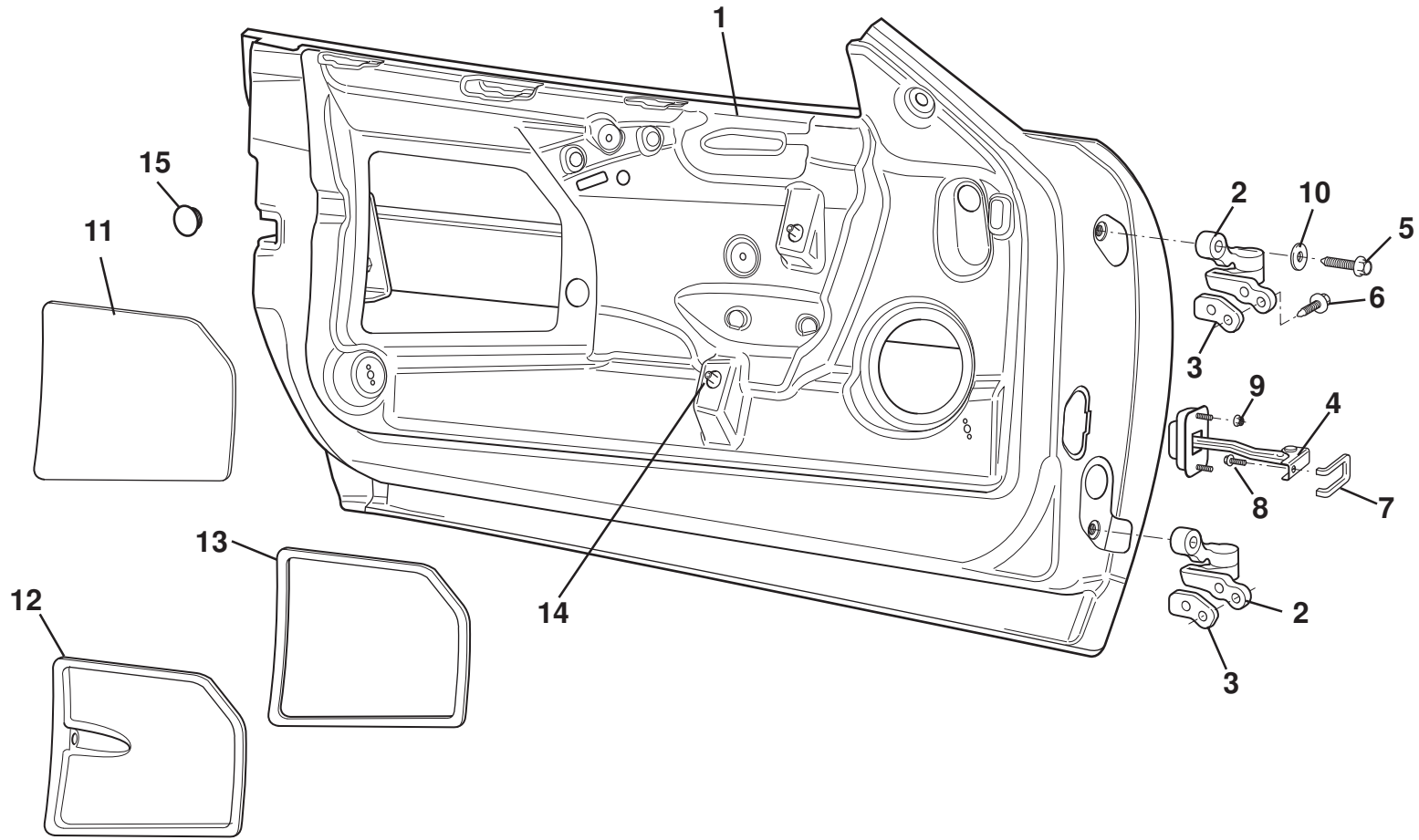
EVORA



Function Code 10.13 Engine Compartment, Cover, Latch Mechanism

<u>Dep</u>	<u>Part Description</u>	<u>Remarks</u>	<u>Option</u>	<u>Part Number</u>	<u>Qty</u>
01	Panel Assembly, engine bay cover	Includes grille, latches, decal		B132B0162J	1
02	Latch, engine bay cover			A132B6033F	2
03	Grille, engine bay cover			A132U0399F	1
04	Cross-bar, engine bay cover support			A132A0366F	1
05	Screw, M6 x 14, hex. flg. hd., cross-bar to rear stays			A116W5233F	3
06	Screw, M5 x 16, hex. hd., latch to body			A075W1085F	2
07	Sleeve, locating pins to cross-bar	Cut to length		A132U6087V	30mm

EVORA



EVORA
10.15

Updated 22nd May 2012

Service Parts List



Function Code 10.15 Door Shells, Beams, Hinges

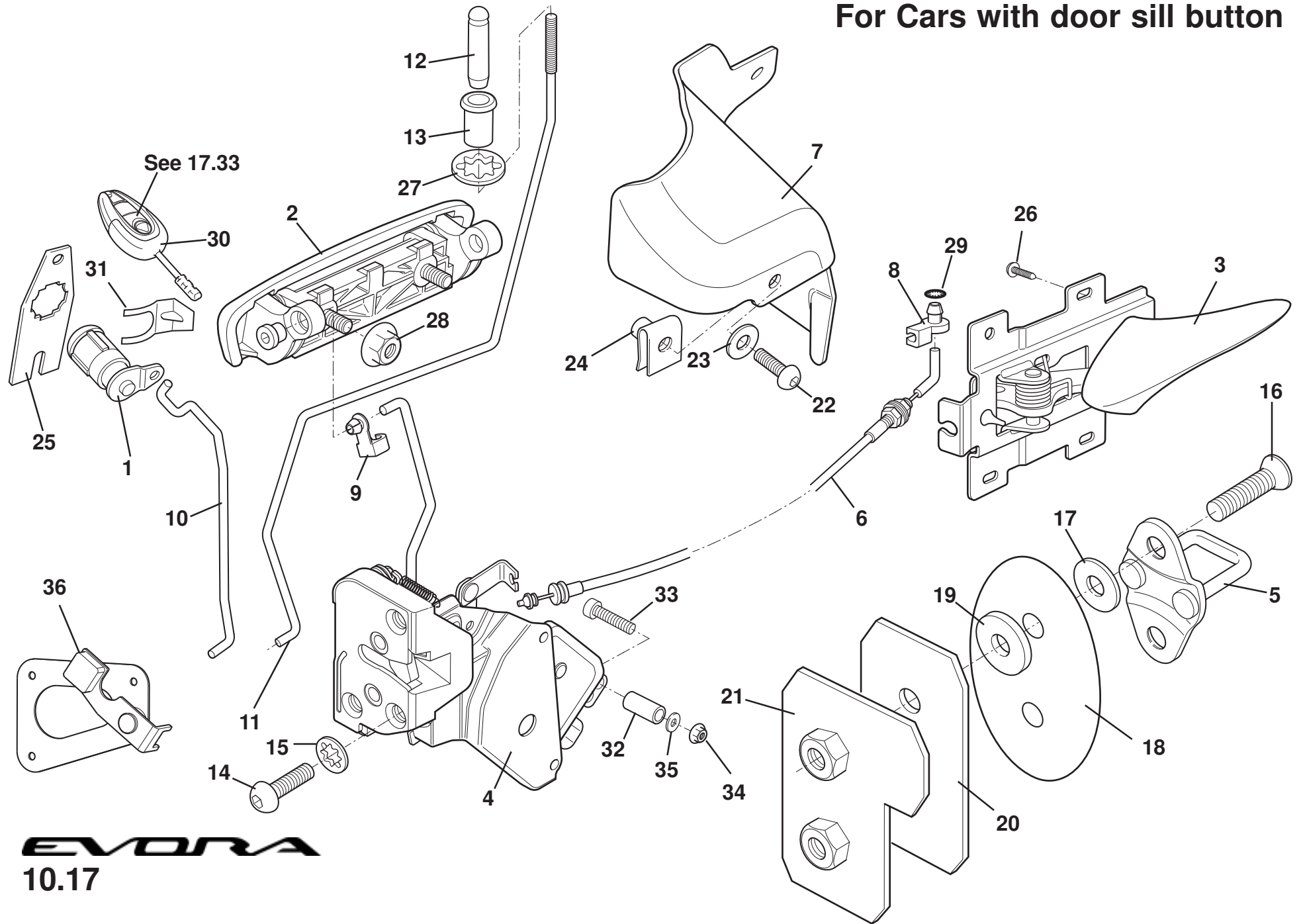
<u>Dep</u>	<u>Part Description</u>	<u>Remarks</u>	<u>Option</u>	<u>Part Number</u>	<u>Qty</u>
01	Door Assembly, LH	Doors with sill button	Primed, up to vin CH_10629	A132B4071K	1
01a	Door Assembly, LH	Doors without sill button	Primed, from vin CH_10630	E132B4071K	1
01b	Door Assembly, RH	Doors with sill button	Primed, up to vin CH_10629	A132B4072K	1
01c	Door Assembly, RH	Doors without sill button	Primed, from vin CH_10630	E132B4072K	1
02	Hinge, door, LH			A132B6001F	2
02a	Hinge, door, RH			A132B6002F	2
03	Shim, 5mm, hinge to chassis			A132B0108F	4
04	Check, door opening			A132B6031F	2
05	Screw, M10 x 35, hex. flg. hd, hinge to door		A132B6005F R/B	A116W5247F	4
06	Screw, M10 x 35, hex. flg. hd., hinge to chassis		A132B6010F R/B	A116W5247F	8
07	Gasket, door check			A132B0173F	2
08	Screw, M8 x 20, hex. flg. hd., check to body			A120W5278F	2
09	Nut, M6, flg, check to door			A121W3196F	4
10	Washer, 7/16x7/8x13g		A120W4119F R/B, vin 11045	B120W4119F	4
11	Door Curtain, self adhesive foam, LH	Doors with sill button, also see 11.01	Up to vin CH_10629	A132B4157F	1
11a	Door Curtain, self adhesive foam, RH	Doors with sill button, also see 11.01	Up to vin CH_10629	A132B4158F	1
12	Door Curtain, LH	Doors without sill button, also see 11.01	From vin CH_10630	A132B4231F	1



Function Code 10.15 Door Shells, Beams, Hinges

<u>Dep</u>	<u>Part Description</u>	<u>Remarks</u>	<u>Option</u>	<u>Part Number</u>	<u>Qty</u>
12a	Door Curtain, RH	Doors without sill button, also see 11.01	From vin CH_10630	A132B4232F	1
13	Beading, Door Curtain	Doors without sill button, also see 11.01	From vin CH_10630	A100B6207F	2
14	Bighead M8x20 collar 32mm sq	Pull handle fixing		A132W8008F	4
15	Blanking Grommet	Right hand door		A132B6055F	1

For Cars with door sill button



EVORA
10.17

Updated 27th September 2012

Service Parts List

EVORA



Function Code 10.17 Door Latch Mechanism

<u>Dep</u>	<u>Part Description</u>	<u>Remarks</u>	<u>Option</u>	<u>Part Number</u>	<u>Qty</u>
01	Lock Set	Need to order 2x Transmitter fobs (see 17.33) and send A4-A-5304 Notification alarm/lock replacement form to ASO		B132H0017F	1
02	Exterior Door Release Handle, chrome			B132B0146F	2
02a	Exterior Door Release Handle, no finish			A132B0171F	2
03	Interior Door Release Handle, LH, chrome			A132U4021F	1
03a	Interior Door Release Handle, RH, chrome			A132U4022F	1
03b	Interior Door Release Handle, LH, piano black		MY12 S/Charged	A132U4645F	1
03c	Interior Door Release Handle, RH, piano black		MY12 S/Charged	A132U4646F	1
03d	Interior Door Release Handle, LH, turbo black (gray)		MY12 N/A	A132U4649F	1
03e	Interior Door Release Handle, RH, turbo black, (gray)		MY12 N/A	A132U4650F	1
04	Latch Mechanism, LH			B132B4169J	1
04a	Latch Mechanism, RH			B132B4170J	1
05	Striker, door latch			A124B0201F	2
06	Cable, door interior release			C132B0123F	2
07	Shield, door latch security, LH			B132U4377F	1
07a	Shield, door latch security, RH			B132U4378F	1
08	Clip, cable to release handle			A082U6267F	2
09	Clip, rod to exterior release handle			A132B6034F	2

EVORA

Function Code: 10.17, Page: 1

Updated 21st November 2012

Function Code 10.17 Door Latch Mechanism

<u>Dep</u>	<u>Part Description</u>	<u>Remarks</u>	<u>Option</u>	<u>Part Number</u>	<u>Qty</u>
10	Rod, lock to latch LH			C132B0049F	1
11	Rod, sill button to latch, LH			F132B4053F	1
11a	Rod, sill button to latch, RH			F132B4054F	1
12	Sill Button, CDL, silver			A132U0455F	2
12a	Sill Button, CDL, black		MY12 S/Charged	A132V0379F	2
13	Escutcheon, sill button, silver	Also see 15.13		A132V0195F	2
13a	Escutcheon, sill button, black		MY12 S/Charged	A132V0380F	2
13b	Bush, escutcheon	Not illustrated		A132W6043F	2
14	Screw, M6 x 20, button skt. hd. S/S black, latch to door			A100W7096F	6
15	Washer, shakeproof, M6, latch to door			A075W4046Z	6
16	Screw, striker to nutplate			A126W5329F	4
17	Shim, striker to body			A124B0256F	4
18	Finisher, striker to body			A124U0068F	2
19	Spacer, striker to body			A132B0116F	4
20	Plate, striker mounting			A132B0117F	2
21	Nutplate, striker retention, LH			A124B0113F	1
21a	Nutplate, striker retention, RH			A124B0114F	1
22	Screw, M6 x 20, button skt. hd. S/S black, shield to door			A100W7096F	2
23	Washer, flat, M6 x 15 x 1.5, S/S black, shield to door			A082W4133F	2
24	Spirenut, M6, shield to door			A117W3181F	2
25	Plate, lock cylinder retention			B132B0080F	1

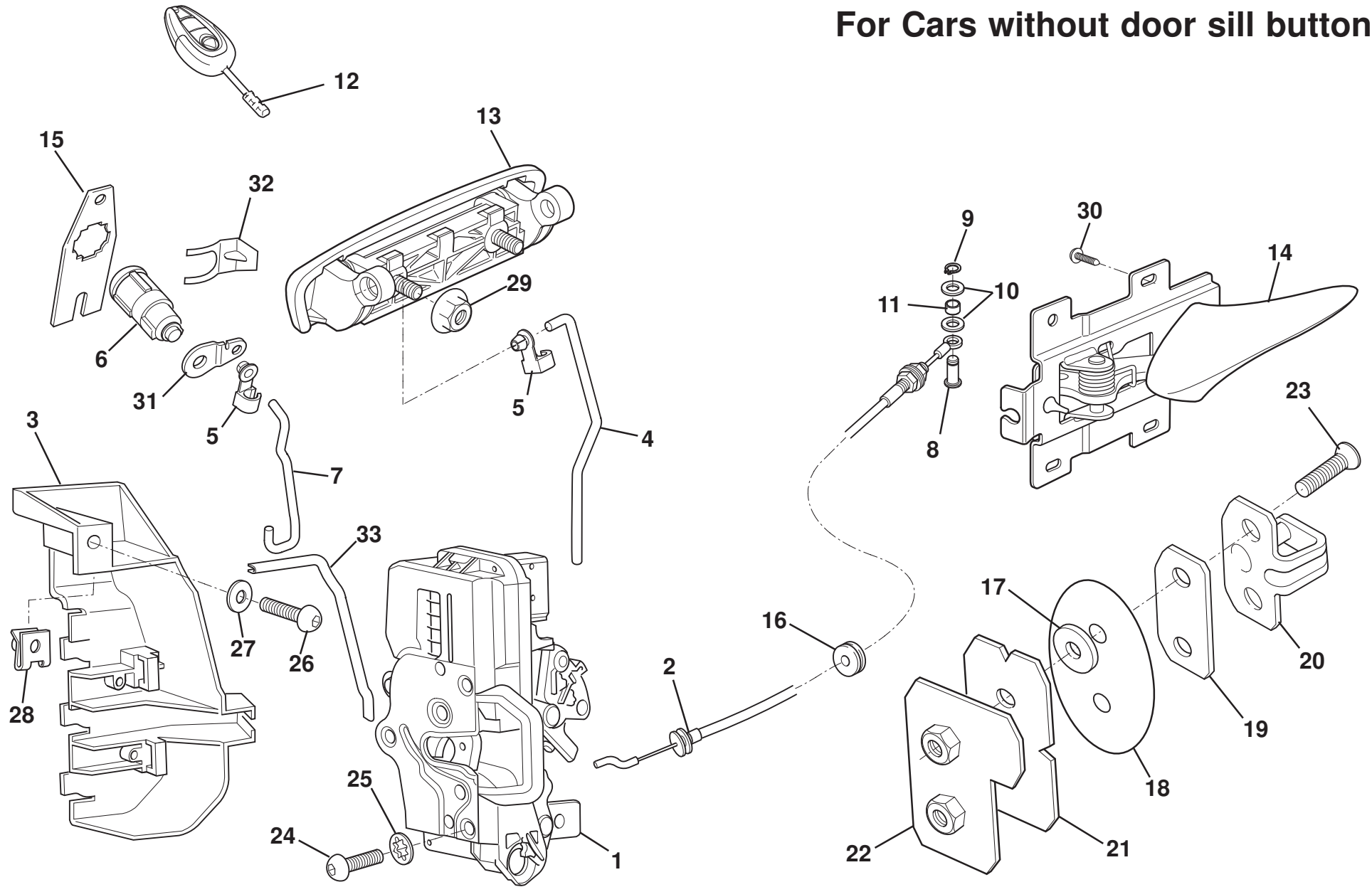


Function Code 10.17 Door Latch Mechanism

<u>Dep</u>	<u>Part Description</u>	<u>Remarks</u>	<u>Option</u>	<u>Part Number</u>	<u>Qty</u>
26	Screw, no. 6 x 1", flg, pozi., interior release retention			A082W5022F	12
27	Retainer, abutment			A132W6059F	2
28	Nut, handle to door			A121W3196F	4
29	Starlock Fastener, cable to release handle			A124W6797F	1
30	Key, cut	Supply key code		A132H0056S	2
30a	Key, uncut			B132H0018S	2
31	'C' Clip, lock barrel retention			A117B6009F	1
32	Spacer CDL Door Latch			A132B0179F	3
33	Screw M4 x 35, pozi pan			A132W5031F	3
34	Nut M4			A075W3019F	3
35	washer Flat M4 x9 x0.8			A082W4099F	1
36	Assembly CDL Door Latch Lever, LH			A132B4179F	1
36a	Assembly CDL Door Latch Lever, RH			A132B4180F	1

NOTE: For full information on all
Lotus Security Systems, see
LSL483f

For Cars without door sill button



EVORA
10.17a

Updated 22nd May 2012

Service Parts List

EVORA



Function Code 10.17a Door Latch Mechanism (Inteva)

<u>Dep</u>	<u>Part Description</u>	<u>Remarks</u>	<u>Option</u>	<u>Part Number</u>	<u>Qty</u>
01	Door Latch LH			A132B4245K	1
01a	Door Latch RH			A132B4246K	1
02	Release Cable Assembly LH			A132B6043F	2
03	Security Shield, door latch LH			A132U4711F	1
03a	Security Shield, door latch RH			A132U4712F	1
04	Rod Door Locking			A132B0242F	2
05	Clip Linkage			A082U6267F	4
06	Lock Set	Need to order 2x Transmitter fobs (see 17.33) and send A4-A-5304 Notification alarm/lock replacement form to ASO		B132H0017F	1
07	Lock Cylinder Link Rod			A132B6051F	1
08	Clevis Pin			A132B6097F	2
09	Circlip			A132B6098F	2
10	Washer Flat 6 x 12 x1.4			A075W4013F	4
11	Nylon Sleeve			A132B6099F	2
12	Key, cut	Supply key code		A132H0056S	2
12a	Key, uncut			B132H0018S	2
13	Exterior Door Release Handle, no finish			A132B0171F	2
14	Interior Door Release Handle, LH, piano black		MY12 S/Charged	B132U4645F	1

EVORA

Function Code: 10.17a, Page: 1

Updated 21st November 2012

Function Code 10.17a Door Latch Mechanism (Inteva)

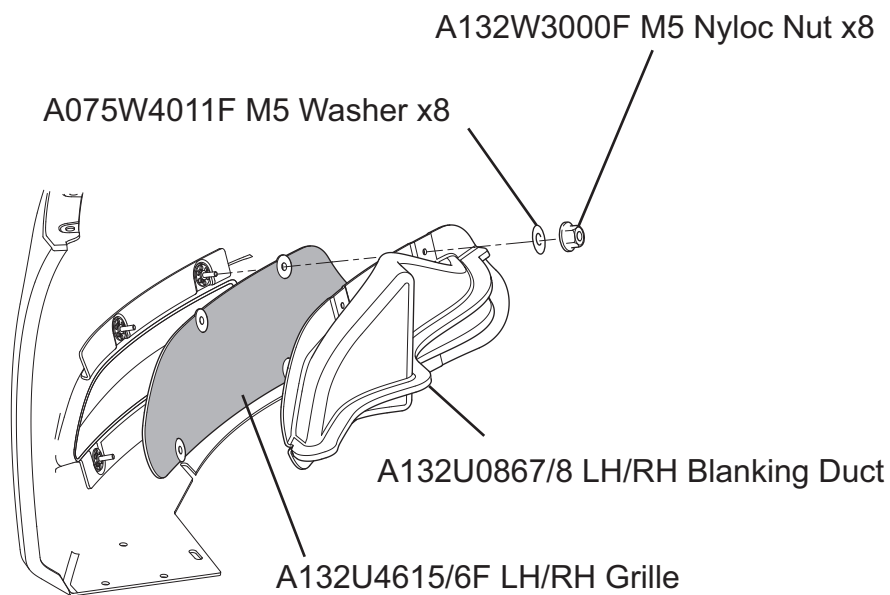
<u>Dep</u>	<u>Part Description</u>	<u>Remarks</u>	<u>Option</u>	<u>Part Number</u>	<u>Qty</u>
14a	Interior Door Release Handle, RH, piano black		MY12 S/Charged	B132U4646F	1
14b	Interior Door Release Handle, LH, turbo black (gray)		MY12 N/A	B132U4649F	1
14c	Interior Door Release Handle, RH, turbo black (gray)		MY12 N/A	B132U4650F	1
15	Plate, lock cylinder retention			B132B0080F	1
15a	Shield, door latch security, RH			C132U4378F	1
16	Grommet, door curtain			A132B6052F	2
17	Spacer Door Striker			A132B0116F	4
18	Plate Finisher Door Striker			A124U0058F	2
19	Shim Door Striker			A132B0240F	2
20	Striker Door Latch			A132B6044F	2
21	Plate, striker mounting			A132B0117F	2
22	Nutplate, striker retention, LH			A124B0113F	1
22a	Nutplate, striker retention, RH			A124B0114F	1
23	Screw M8 x 40, csk			A132W5037F	4
24	Screw, M6 x 20, button skt. hd. S/S black, latch to door			A100W7096F	6
25	Washer, shakeproof, M6, latch to door			A075W4046Z	6
26	Screw, M6 x 20, button skt. hd. S/S black, shield mounting			A100W7096F	1
27	Washer M6 x 15mm x 1.5 s/s blk, shield mounting			A082W4133F	1
28	Captive Nut M6, shield mounting			A117W6715F	1
29	Nut, handle to door			A121W3196F	4
30	Screw, no. 6 x 1", flg, pozi., interior release retention			A082W5022F	12



Function Code 10.17a Door Latch Mechanism (Inteva)

<u>Dep</u>	<u>Part Description</u>	<u>Remarks</u>	<u>Option</u>	<u>Part Number</u>	<u>Qty</u>
31	Lever Arm, lock cylinder LH			A132B6050F	1
32	'C' Clip, lock barrel retention			A117B6009F	1
33	Edge Protector			A122A0029V	172mm
		NOTE: For full information on all Lotus Security Systems, see LSL483f			
		Also see TSB 2012/06 R service note section BV.12a			

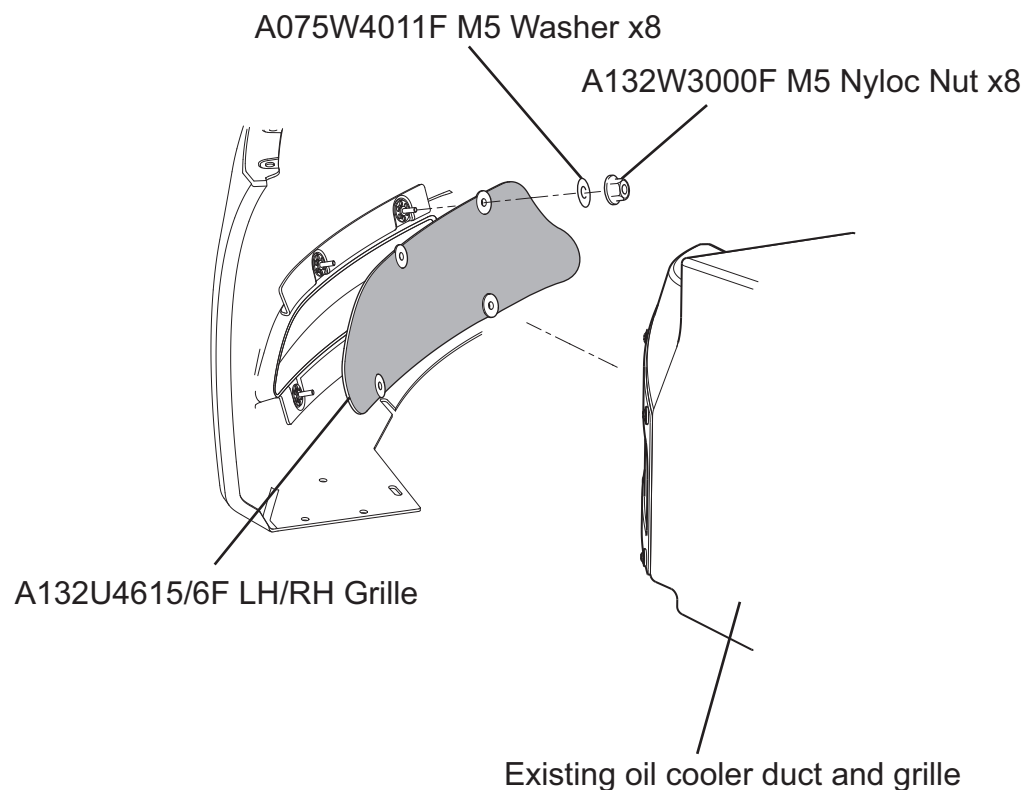
Introduction of 'C' level C132B0003K Front Bumper Required parts for replacement bumpers on cars prior to MY12



Please note:

existing LH/RH grilles and Blanking plates are no longer required
Also car fitted with rectangular washer bottle fould the LH blanking duct
option is to cut away duct or fit triangular washer bottle

Up to vin 11178, USA 11174



Please note:

the bumper grille fixing studs may need to be trimmed back
to clear front face of oil cooler duct and grille.

From vin 11178, USA 11174

Service Parts List



Function Code 10.23 Bumpers, Valences Spoilers & Aerofoils

<u>Dep</u>	<u>Part Description</u>	<u>Remarks</u>	<u>Option</u>	<u>Part Number</u>	<u>Qty</u>
01	Bumper Assembly, front, Primed	Includes fixings for LH/ RH grille blanking plate	Obsolete order 01a, see LSL597	A132B0003K	1
01a	Bumper Assembly, front, Primed	No LH / RH grille blanking plate fixings, limited stock	From vin, BH_11178	B132B0003K	1
01b	Bumper Assembly, front, federal, Primed	Includes fixings for LH/ RH grille blanking plate	USA Obsolete order 01c, see LSL597	A132U0408K	1
01c	Bumper Assembly, front, federal, Primed	Apertures for side marker lamps, no LH / RH grille blanking plate fixings, limited stock	USA from vin BH_11174	B132U0408K	1
01d	Bumper Assembly, front, Primed	Also replacement bumper prior MY12*	MY12	C132B0003K	1
01e	Bumper Assembly, front, federal, Primed	Also replacement bumper prior MY12*	MY12	C132U0408K	1
02	Bumper Assembly, rear, Primed, no reverse camera			A132B0086K	1
02a	Bumper Assembly, rear, Primed, reverse camera			A132B0036K	1
02b	Bumper Assembly, rear, federal, Primed no reverse camera	Apertures for side marker lamps	USA	A132U0429K	1
02c	Bumper Assembly, rear, Primed federal, reverse camera	Plus aperture for reverse camera	USA	A132U0424K	1
02d	Bumper Assembly, rear, Primed, no reverse camera	Revised diffuser fixings	S/Charged (man & auto)	A132U0667K	1
02e	Bumper Assembly, rear, Primed, reverse camera	Revised diffuser fixings	S/Charged (man & auto)	A132U0673K	1
02f	Bumper Assembly, rear, federal, Primed no reverse camera		Federal S/Charged	A132U0679K	1



Function Code 10.23 Bumpers, Valences Spoilers & Aerofoils

<u>Dep</u>	<u>Part Description</u>	<u>Remarks</u>	<u>Option</u>	<u>Part Number</u>	<u>Qty</u>
02g	Bumper Assembly, rear, Primed federal, reverse camera		Federal S/Charged	A132U0684K	1
03	Spoiler, rear, Primed			A132U0084K	1
04	Bracket, outer RH, bumper to subframe	Attaches directly to subframe		D132U4174F	1
04a	Bracket, outer RH, bumper to subframe	Attaches to bracket bonded on subframe		F132U4174F	1
04b	Bracket, outer RH, bumper to subframe		USA vin BH_11174 , all markets vin, BH_11178	A132U4504F	1
04c	Bracket, outer RH, bumper to subframe		MY12	A132U4624F	1
05	Bracket, outer LH, bumper to subframe	Attaches directly to subframe		D132U4171F	1
05a	Bracket, outer LH, bumper to subframe	Attaches to bracket bonded on subframe		F132U4173F	1
05b	Bracket, outer LH, bumper to subframe		USA vin BH_11174 , all markets vin, BH_11178	A132U4503F	1
05c	Bracket, outer LH, bumper to subframe		MY12	A132U4623F	1
06	Bracket, centre, bumper to angle support			C132U0202F	1
07	Screw, M6 x 16, hex. flg. hd., bracket to subframe			A918W5208F	4
08	Washer, flat, M6 x 15 x 1.5, bracket to subframe			A075W4015Z	4
09	Screw, M6 x 16, hex. flg. hd., bracket to bumper			A132W5003F	6
10	Nyloc Nut, M6, flg., bracket to bumper/clam.	Also see 10.01		A121W3196F	3
11	Screw, M6 x 16, hex. flg. hd., bracket to subframe			A918W5208F	3
12	Spacer			A111D0147F	2
13	Screw, M6 x 20, button hd., spoiler to tailgate			A100W7096F	4



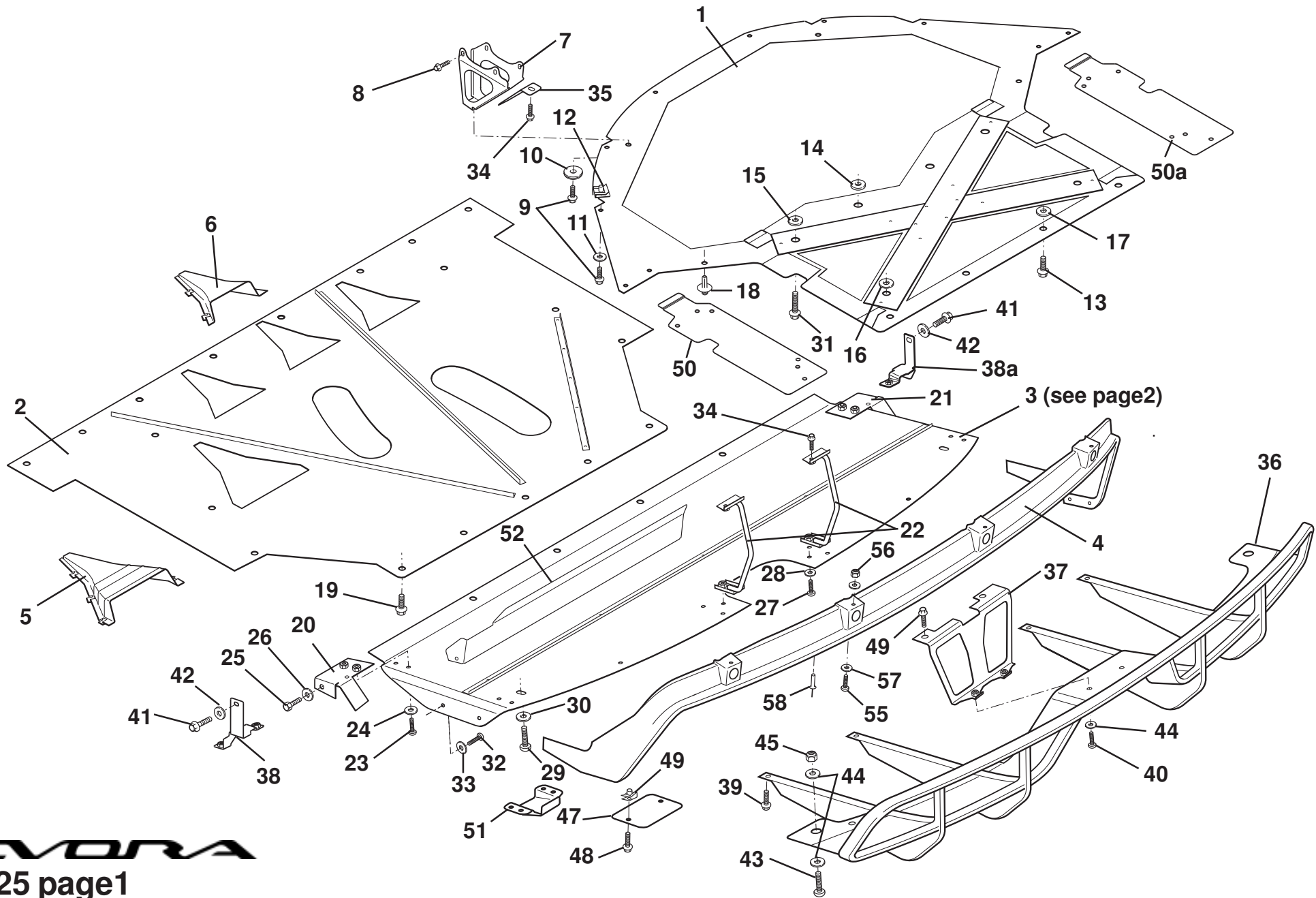
Function Code 10.23 Bumpers, Valences Spoilers & Aerofoils

<u>Dep</u>	<u>Part Description</u>	<u>Remarks</u>	<u>Option</u>	<u>Part Number</u>	<u>Qty</u>
14	Spreader plate, rear spoiler			A132U0342F	2
15	Gasket, rear spoiler			A132U0306F	2
16	Nut, M6, dome, black, bumper to rear clam.			A127W3228F	5
17	Washer, M6 x 18 x 1.6, S/S black, bumper to rear clam.			A126W4213F	5
18	Bracket, bumper to subframe rear, LH			C132U4155F	1
18a	Bracket, bumper to subframe rear, RH			C132U4156F	1
19	Screw, M6 x 16, hex. flg. hd., bracket to bumper/subframe			A132W5003F	2
20	Diffuser Spat, front, LH	Do not replace if fitted		B132U4259J	1
20a	Diffuser Spat, front, RH	Do not replace if fitted		B132U4260J	1
21	Screw, M5 x 16, hex. hd., bumper to front clam.			A075W1085F	4
22	Washer, flat, M5 x 19 x 1.4, S/S black, bumper clam.			B082W4107F	4
23	Screw, M6 x 16, hex. flg. hd., bumper to rear clam.			A132W5003F	2
24	Washer, flat, M6 x 25 x 1.4, S/S, bumper to rear clam.			B075W4017F	2
25	Washer, neoprene, 25 x 8 x 3, bumper to clam.			A111U6055F	2
26	Nyloc Nut, M6, flg., bumper to front clam.			A121W3196F	2
27	Nyloc Nut, M6 thin, bumper to rear clam.			A907E6285F	6
28	Washer, flat, M6 x 25 x 1.4, S/S, bumper to rear clam.			B075W4017Z	6
29	Screw, M6 x 12, hex. flg. hd., bumper to bracket	Replaces item 20, 20a	Cars without spats	A132W5010F	4
30	Washer, flat, M6 x 18 x 1.6, bumper to bracket	Replaces item 20, 20a	Cars without spats	A121W4196F	4
31	Nyloc Nut, M6, bumper to bracket	Replaces item 20, 20a	Cars without spats	A907E6285F	4
32	Foam, rear bumper, RH		USA	A132U4402F	1



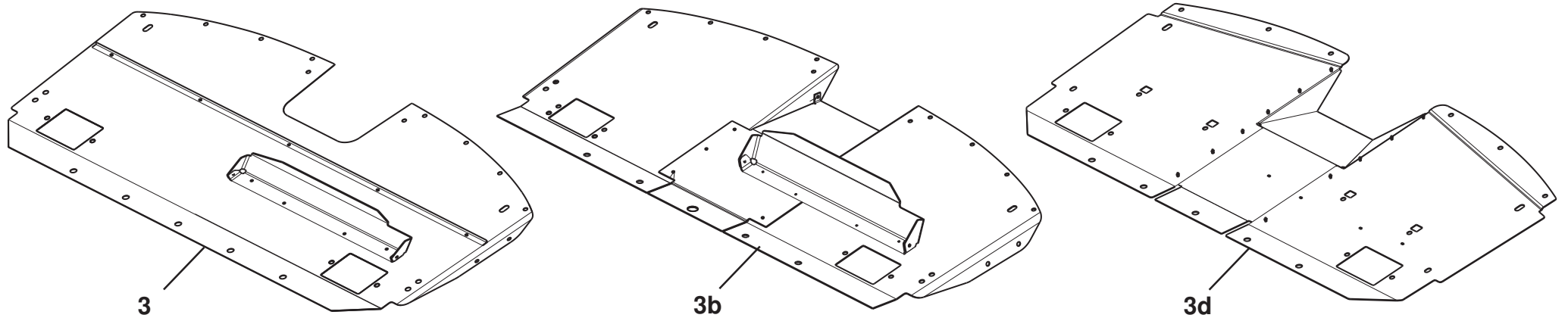
Function Code 10.23 Bumpers, Valences Spoilers & Aerofoils

<u>Dep</u>	<u>Part Description</u>	<u>Remarks</u>	<u>Option</u>	<u>Part Number</u>	<u>Qty</u>
33	Foam, bumper rear, centre		USA	B132U0412F	1
34	Foam, bumper rear, LH		USA	A132U4401F	1
35	Front Bumper Foam, federal		USA	B132U0189F	1
36	Washer, flat, M6 x 18 x 1 P/Zn, spoiler to tailgate			A082W4018F	4
37	Bracket Reinf. rear bumper foam		USA	A132U0750F	1
38	Angle Support			A132U0527F	1
39	Setscrew M6 x 25			A075W1031F	2
40	Nut, M6, flg, Bracket to angle support			A117W3180F	3
41	Stud Bighead M5 x 12 s/s			A082W5128F	5
42	Nut M6 hex			A075W3020F	2
43	Washer 6mm x 15mm x 1.5mm			A075W4015F	2
44	Screw M6 x 16 hex hd, bracket to subframe			A075W1028F	4
45	Washer M6 x 25 x 1.6, bracket to subframe			A121W4196F	12
46	Nut Nyloc M6, bracket to subframe			A075W3009F	6
47	Grommet, rear bumper fixing			A116W6726F	4
48	Screw M6 x 20 hex hd, bracket to subframe	For fixing attaching clip for harness		A075W1030F	2
		*For prior MY12 non oil cooler cars order items 02b, 03b, 27, 27a, 29, 18 on 12.03 see LSL597			

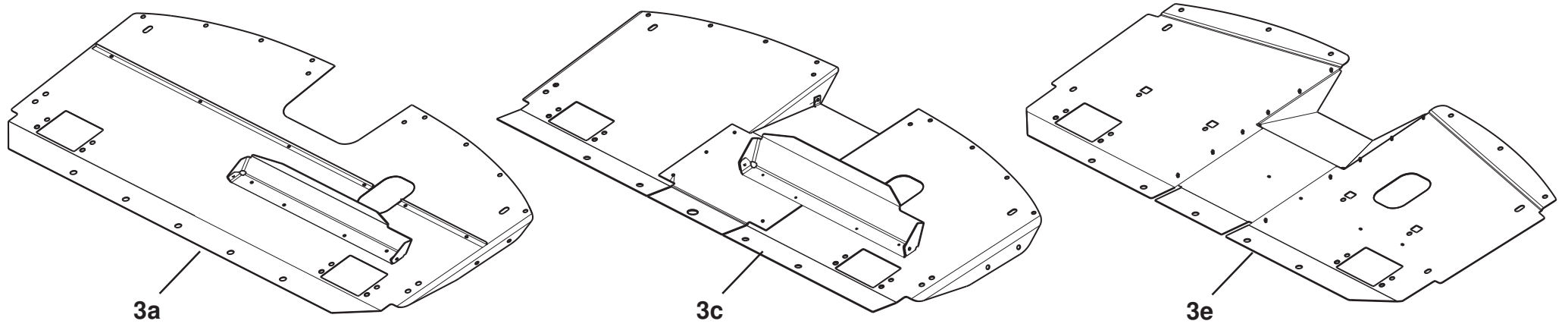


EVORA
10.25 page1

Updated 16th January 2013



Prior MY12



MY12 on

Service Parts List

EVORA



Function Code 10.25 Undertray & Diffuser

<u>Dep</u>	<u>Part Description</u>	<u>Remarks</u>	<u>Option</u>	<u>Part Number</u>	<u>Qty</u>
01	Undertray Assembly, front	Includes items 50 and 50a		C132U0090J	1
02	Undertray Assembly, rear			B132U0418J	1
02a	Undertray Assembly, rear		S/Charged (man & auto), Auto NA	B132U0470J	1
03	Diffuser Assembly & ARB Heatshield	With access holes to suspension		C132U0261J	1
03a	Diffuser Assembly & ARB Heatshield	Access hole for exhaust actuator valve	MY12	D132U0261J	1
03b	Diffuser Assembly, Sport pack & ARB Heatshield		Optional	D132U0366J	1
03c	Diffuser Assembly, Sport pack & ARB Heatshield	Access hole for exhaust actuator valve	MY12 Optional	E132U0366J	1
03d	Diffuser Assembly without ARB Heatshield	No longer available use 03e	S/Charged (man & auto)	A132U0629F	1
03e	Diffuser Assembly without ARB Heatshield	Access hole for exhaust actuator valve	MY12 S/Charged (man & auto)	B132U0629J	1
4	Diffuser Finisher	without reversing sensors holes		A132U0291K	1
04a	Diffuser Finisher	with reversing sensors holes	Tech pack	A132U0292K	1
04b	Diffuser Finisher	Gloss Black,with reversing sensors holes	Tech pack	A132U0991S	1
04c	Diffuser Finisher	without reversing sensors holes	S/Charged (man & auto)	A132U0616K	1
04d	Diffuser Finisher	with reversing sensors holes	S/Charged (man & auto), with tech pack	A132U0639F	1
04e	Diffuser Finisher	Gloss Black,with reversing sensors holes	S/Charged (man & auto), with tech pack	A132U0992S	1

EVORA

Function Code: 10.25, Page: 1

Updated 27th february 2013

Function Code 10.25 Undertray & Diffuser

<u>Dep</u>	<u>Part Description</u>	<u>Remarks</u>	<u>Option</u>	<u>Part Number</u>	<u>Qty</u>
05	NACA Duct, clip in type, long			A116A0143F	1
06	NACA Duct, clip in type, short			A132U0167K	3
07	Bracket, lower LH, undertray to subframe	C132U4265F R/B	USA vin BH_11174 , all markets vin, BH_11178	E132U4265F	1
07a	Bracket, lower RH, undertray to subframe	C132U4266F R/B	USA vin BH_11174 , all markets vin, BH_11178	E132U4266F	1
08	Screw, M6 x 16, hex. flg. hd., bracket to subframe			A918W5208F	8
09	Screw, M6 x 16, hex. flg. hd., undertray to bumper/bracket			A918W5208F	10
10	Rubbing Block, undertray protection			B132U0123F	2
11	Washer, M6 x 18 x 1.6, undertray to bumper			A121W4196F	8
12	Spirenut, M6, undertray to bumper			A117W6715F	8
13	Screw, M8 x 20, hex. flg. hd., front undertray fixing			A132W5005F	6
14	Spacer, 13.7mm, front undertray			A132U0376F	2
15	Spacer, 10.6mm, front undertray			A132U0226F	2
16	Spacer, 4.6mm, front undertray			A132U0225F	4
17	Spacer, 3.0mm, front undertray			A132U0237F	2
18	Plastic Fastener, front undertray			A100W6391F	2
19	Screw, M8 x 20, hex. flg. hd., rear undertray/diffuser fix.			A132W5005F	19
20	Bracket, diffuser finisher support, LH			A132U4337F	1
21	Bracket, diffuser finisher support, RH			A132U4338F	1
22	Tie Rod, diffuser rear support			A132U0328F	2



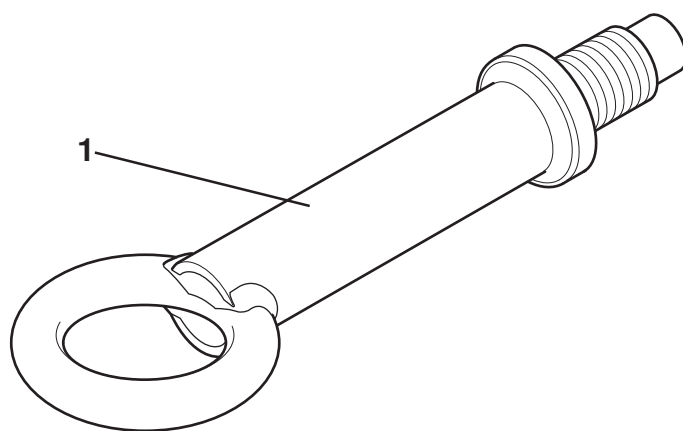
Function Code 10.25 Undertray & Diffuser

<u>Dep</u>	<u>Part Description</u>	<u>Remarks</u>	<u>Option</u>	<u>Part Number</u>	<u>Qty</u>
23	Screw, M6 x 16, button hd.black, bracket to diffuser			A082W7105F	4
24	Washer, flat, M6 x 15 X 1.5. black, bracket to diffuser			A082W4133F	4
25	Screw, M6 x 10, hex. hd., bracket to clam.			A075W1026Z	2
26	Washer, flat, M6 x 15 x 1.5, bracket to clam.			A075W4015Z	2
27	Screw, M6 x 16, button hd. black, tie rod to diffuser			A082W7105F	4
28	Washer, flat, M6 x 15 x 1.5 black, tie rod to diffuser			A082W4133F	4
29	Screw, M8 x 20, button hd. black, diffuser fixing			A075W7022F	2
30	Washer, flat, M8 x 20 x 1.5 black, diffuser fixing			A111W4159F	2
31	Bolt, M8 x 30, hex.flg hd., front undertray fixing			A116W5245F	4
32	Screw, M6 x 16, button hd.black, diffuser to finisher			A082W7105F	4
33	Washer, flat, M6 x 15 x 1.5 black, diffuser to finisher			A082W4133F	4
34	Screw, M6 x 16, hex. flg. hd., tie rod to subframe/Brkt. Adj			A132W5003F	6
35	Bracket Adj. Sup. Front Undertray LH			A132U4459F	1
35a	Bracket Adj. Sup. Front Undertray RH			A132U4460F	1
36	Diffuser grille surround assembly	Includes grilles	S/Charged (man & auto)	A132U0626F	1
36a	Diffuser grille surround assembly	Gloss Black, includes grilles	S/Charged (man & auto)	A132U0993S	1
37	Bracket, diffuser mounting centre		S/Charged (man & auto)	A132U0634F	1
38	Bracket, diffuser mounting outer, LH		S/Charged (man & auto)	A132U4519F	1
38a	Bracket, diffuser mounting outer, RH		S/Charged (man & auto)	A132U4520F	1
39	Screw, M6 x 20, hex. flg. hd., diffuser finisher, diffuser		S/Charged (man & auto)	A132W5004F	4
40	Screw, M6 x 16, button. cap hd. s/s bkt, diffuser mounting		S/Charged (man & auto)	A082W7105F	2



Function Code 10.25 Undertray & Diffuser

<u>Dep</u>	<u>Part Description</u>	<u>Remarks</u>	<u>Option</u>	<u>Part Number</u>	<u>Qty</u>
41	Screw, M6 x 16, hex. flg. hd., bracket to diffuser		S/Charged (man & auto)	A918W5208F	6
42	Washer, flat, M6 x 18 x 1.2, bracket to diffuser		S/Charged (man & auto)	A082W4018F	6
43	Screw, M6 x 16, button hd, diffuser finisher, diffuser		S/Charged (man & auto)	A122W5282F	6
44	Washer, M6 x 15 x 1.5, diffuser finisher, diffuser		S/Charged (man & auto)	A082W4133F	12
45	Nut, nyloc, M6, diffuser finisher, diffuser		S/Charged (man & auto)	A907E6285F	6
46	Screw, M6 x 16, hex. flg. hd., bracket		S/Charged (man & auto)	A132W5003F	2
47	Cover, rear diffuser access			A132U0628F	2
48	Screw, M6 x 16, hex. flg. hd, rear diffuser access cover			A918W5208F	4
49	Nut, captive M6, diffuser finisher, access cover			A117W6715F	8
50	Cover, undertray assembly, front LH			A132U4445F	1
50a	Cover, undertray assembly, front RH			A132U4446F	1
51	Duct, rear diffuser rear		MY12	A132U0904F	2
52	ARB Heatshield		S/Charged (man & auto)	A132U0441F	1
53	Pop Rivet, heatshield	Not illustrated		A082W6512F	4
54	Washer, heatshield	Not illustrated		B075W4009F	1
55	Screw M6 x 20 skt btn hd			A100W7096F	4
56	Nut Nyloc M6 thin			A907E6285F	4
57	Washer M6 x 15 x 1.5			A082W4133F	8
58	Rivet			A132A6022H	6



EVORA

10.31

2010/01

Service Parts List

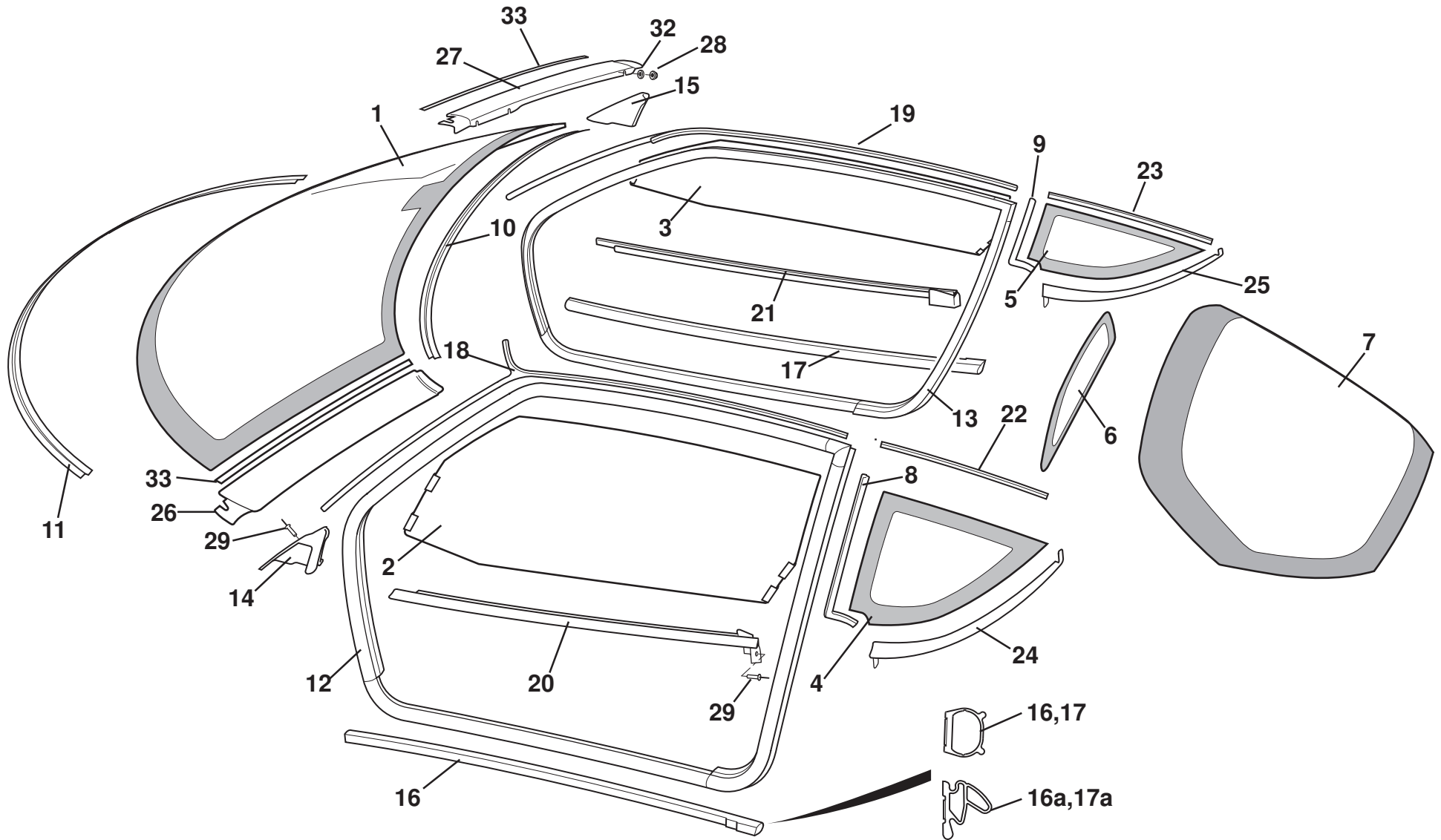
EVORA



Function Code 10.31 Towing Strut/ Hook

<u>Dep</u>	<u>Part Description</u>	<u>Remarks</u>	<u>Option</u>	<u>Part Number</u>	<u>Qty</u>
01	Towing Eye, front			A132A0374F	1

EVORA



EVORA
11.01

Updated 17th August 2012

Service Parts List

EVORA



Function Code 11.01 Windscreen, Door Glass, Seals & Weather Strips

<u>Dep</u>	<u>Part Description</u>	<u>Remarks</u>	<u>Option</u>	<u>Part Number</u>	<u>Qty</u>
01	Windscreen Assembly			C132U0001F	1
02	Door Glass, LH			B132B4059F	1
03	Door Glass, RH			B132B4060F	1
04	Glass, rear quarter, LH			D132U4001F	1
05	Glass, rear quarter, RH			A132U4002F	1
06	Glass, rear bulkhead			E132U0003F	1
07	Glass, tailgate, heated			C132U0319F	1
08	Seal, rear quarter glass front, LH			A132U4393F	1
09	Seal, rear quarter glass front, RH			A132U4394F	1
10	Seal, windscreen upper			A132U0266F	1
11	Seal, windscreen lower			A132U0402F	1
12	Door Primary Seal, LH			B132U4011F	1
12a	Door Primary Seal, LH		MY12	B132U4653F	1
13	Door Primary Seal, RH			B132U4012F	1
13a	Door Primary Seal, RH		MY12	B132U4654F	
14	Cheater Seal, LH			B132U4081F	1
15	Cheater Seal, RH			B132U4082F	1
16	Door Secondary Seal, LH			A132U4403F	1

EVORA

Function Code: 11.01, Page: 1

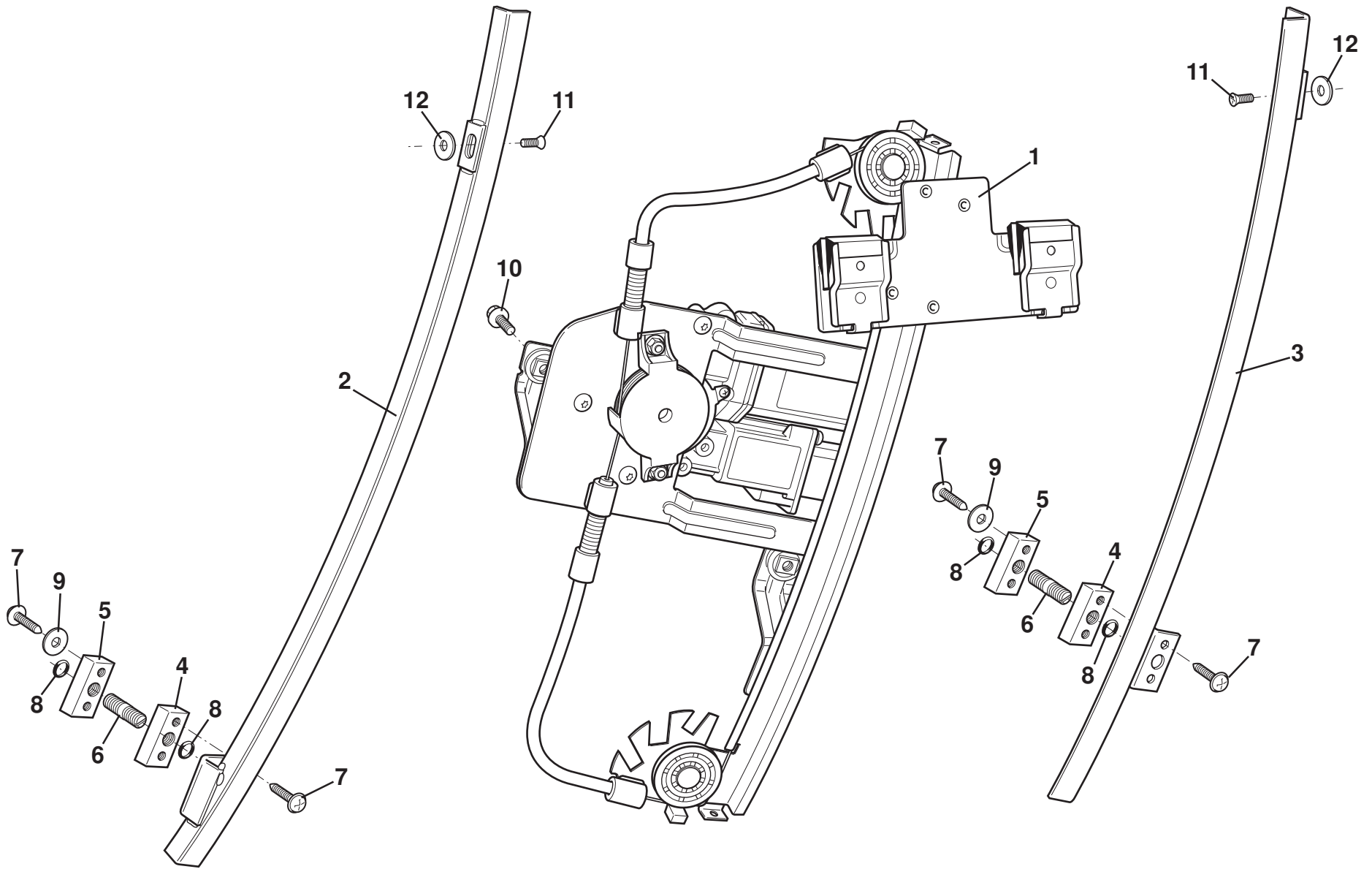
Updated 21st November 2012

Function Code 11.01 Windscreen, Door Glass, Seals & Weather Strips

<u>Dep</u>	<u>Part Description</u>	<u>Remarks</u>	<u>Option</u>	<u>Part Number</u>	<u>Qty</u>
16a	Door Secondary Seal, LH			A132U0793F	1
17	Door Secondary Seal, RH			A132U4404F	1
17a	Door Secondary Seal, RH			A132U0793F	1
18	Seal, door glass, LH			B132U4159F	1
19	Seal, door glass, RH			B132U4160F	1
20	Waist Seal, LH			E132U4061F	1
21	Waist Seal, RH			E132U4062F	1
22	Seal, quarter glass upper, LH		D132U4273F R/B	F132U4273F	1
23	Seal, quarter glass upper, RH		D132U4274F R/B	F132U4273F	1
24	Seal, quarter glass lower, LH			B132U4083F	1
25	Seal, quarter glass lower, RH			B132U4084F	1
26	Trim Panel, 'A' pillar LH			D132U4007F	1
27	Trim Panel, 'A' pillar RH			D132U4008F	1
28	Nut, M4, dome, trim panels fixing			A132W3025F	6
29	Plastic Rivet, cheater & waist seal to door			A079W6195F	8
30	Door Curtain, self adhesive foam, RH	Not illustrated, See also 10.15, doors with sill button	Up to vin CH_10629	A132B4158F	1
30a	Door Curtain, self adhesive foam, LH	Not illustrated, See also 10.15, Doors with sill button	Up to vin CH_10629	A132B4157F	1
31	Door Curtain, RH	Not illustrated, See also 10.15, doors without sill button	From vin CH_10630	A132B4232F	1

Function Code 11.01 Windscreen, Door Glass, Seals & Weather Strips

<u>Dep</u>	<u>Part Description</u>	<u>Remarks</u>	<u>Option</u>	<u>Part Number</u>	<u>Qty</u>
31a	Door Curtain, LH	Not illustrated, See also 10.15, doors without sill button	From vin CH_10630	A132B4231F	1
31b	Beading, Door Curtain	Not illustrated, See also 10.15, doors without sill button	From vin CH_10630	A100B6207F	2
32	Washer M4 black, trim panels fixing			A100W4120F	6
33	Double Sided Foam Tape, 'A' pillar trim to glass			C075U6071V	1.5m



EVORA

11.02

2009/02

Service Parts List

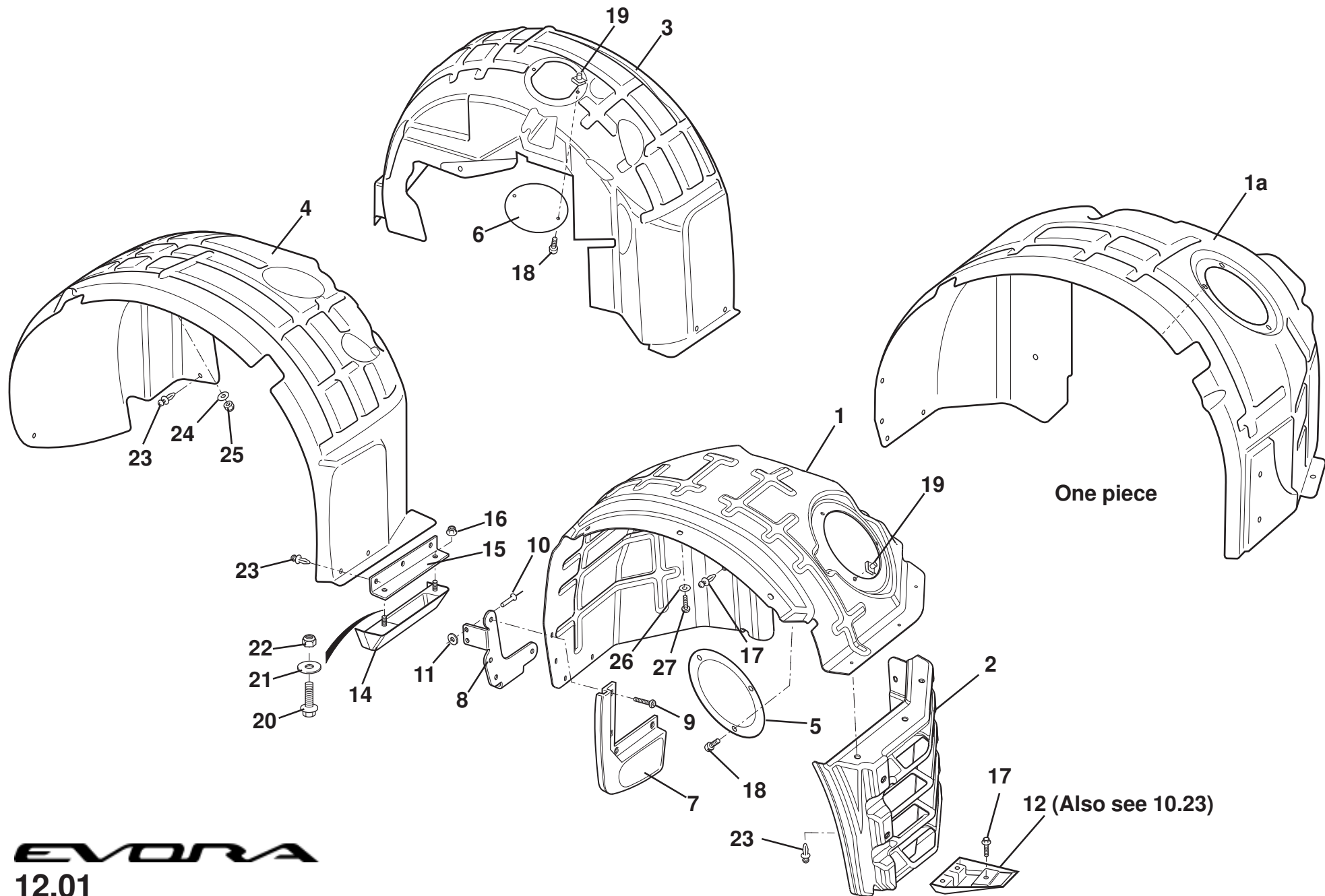
EVORA



Function Code 11.02 Door Window Lift Mechanism

<u>Dep</u>	<u>Part Description</u>	<u>Remarks</u>	<u>Option</u>	<u>Part Number</u>	<u>Qty</u>
01	Regulator, door glass position, LH			C132B4051F	1
01a	Regulator, door glass position, RH			C132B4052F	1
02	Guide Rail, door glass front, LH			A132U4111F	1
02a	Guide Rail, door glass front, RH			A132U4112F	1
03	Guide Rail, door glass rear, LH			A132U4113F	1
03a	Guide Rail, door glass rear, RH			A132U4114F	1
04	Adjuster Block, guide rail LH thread			A116U0020F	4
05	Adjuster Block, guide rail RH thread			A116U0021F	4
06	Stud, rail adjusting			A116U0022F	4
07	Screw, No. 6 x 1/2", flg. pozi, hd., block fixing			A075W5012F	16
08	'O' Ring			A116U0023F	8
09	Washer, flat, 1/8 x 3/8", block to door			A075W4001Z	8
10	Screw, M6 x 12, hex. flg hd., regulator to door			A111E6007F	3
11	Screw, M5 x 12, csk. pozi..., rails to door			A100W5196F	4
12	Washer, flat, M6 x 15 x 1.5, rails to door			A075W4015Z	4

EVORA

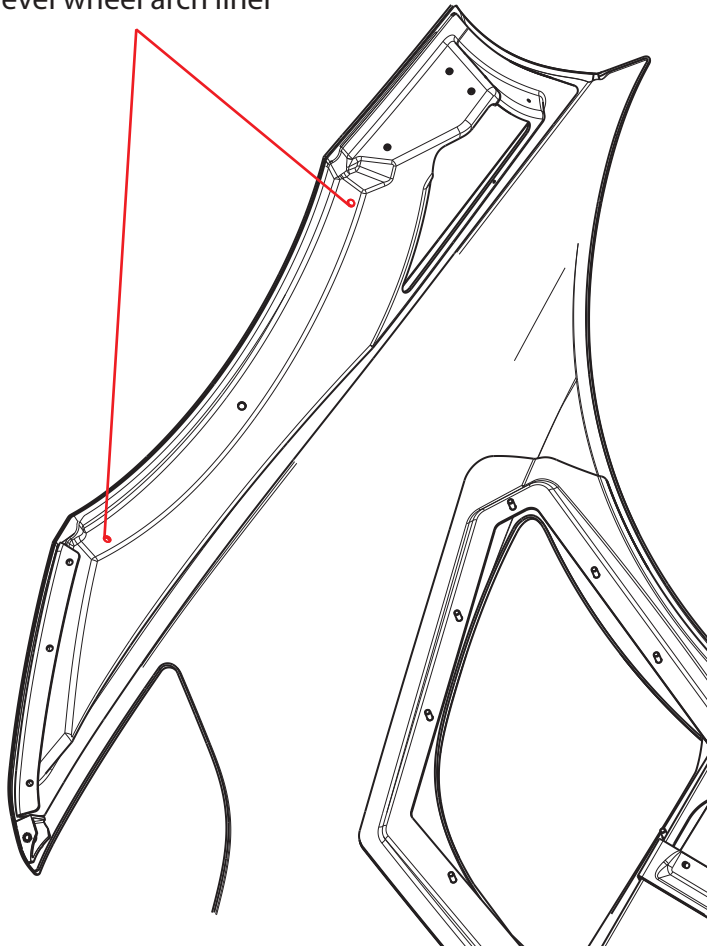


EVORA
12.01

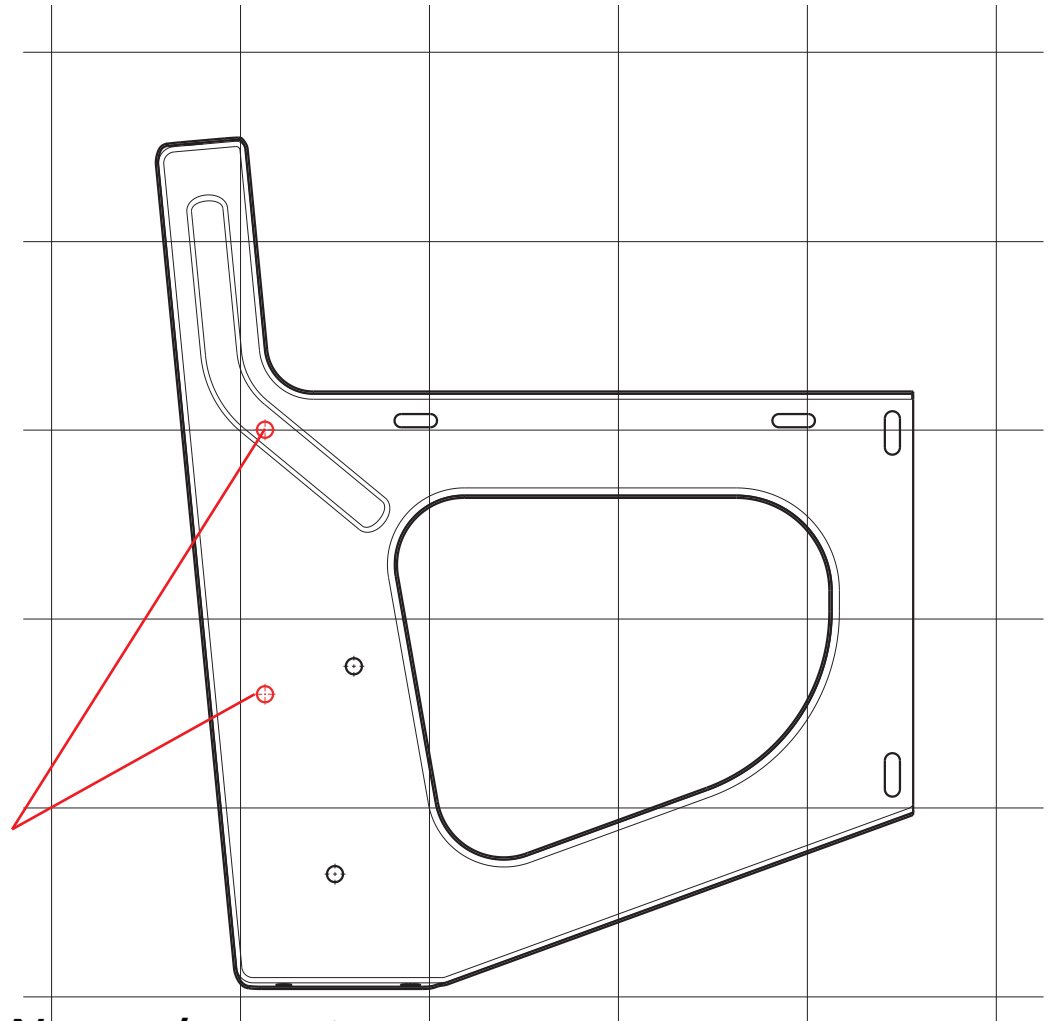
Updated 21st November 2012

Replacing one piece front wheel arch liner with two piece new fixing hole locations

New fixing holes location in Front Clam
for 'D' level wheel arch liner



New fixing hole locations
in bumper bracket



Updated 21st November 2012

Service Parts List

EVORA



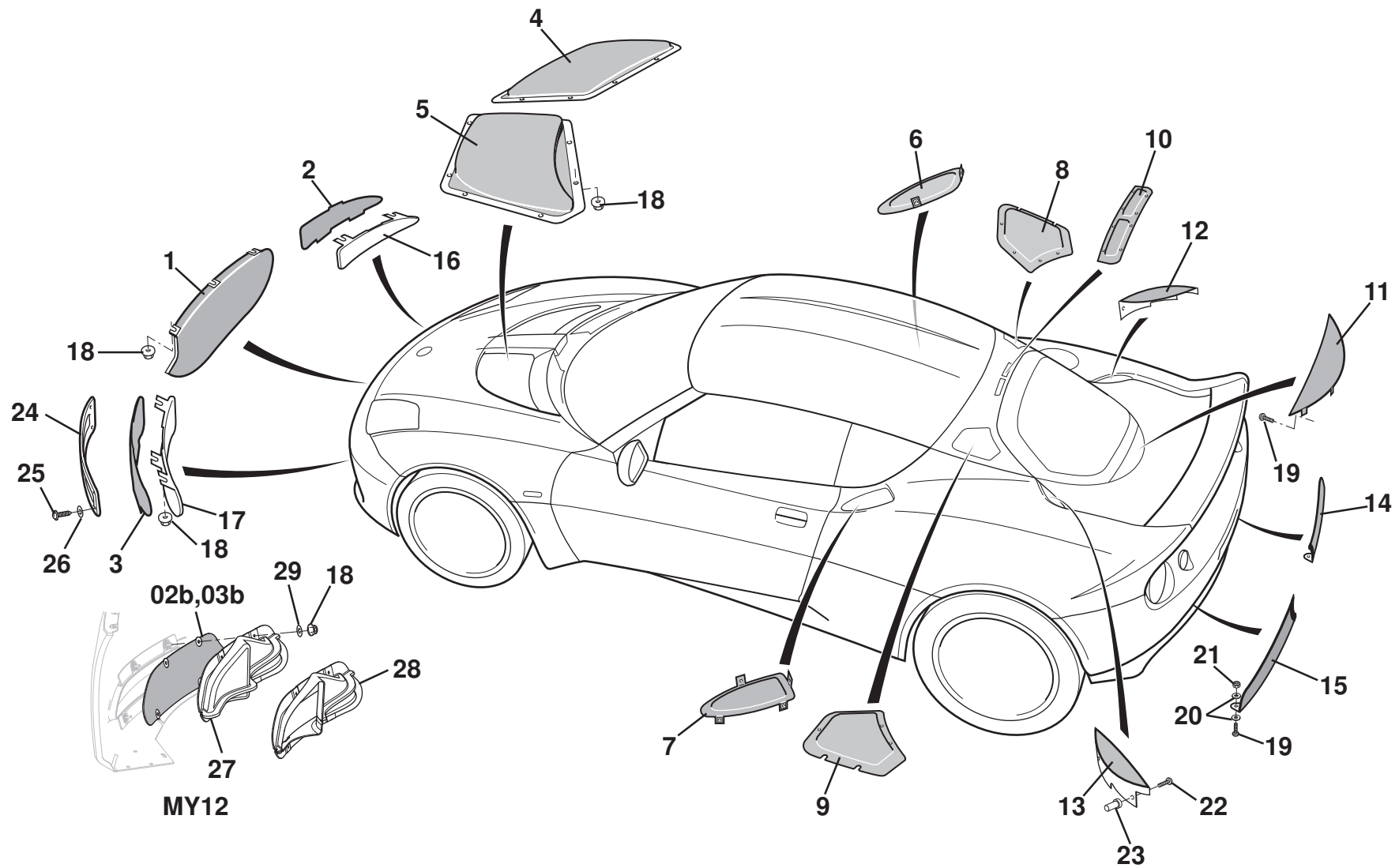
Function Code 12.01 Wheelarch Liners

<u>Dep</u>	<u>Part Description</u>	<u>Remarks</u>	<u>Option</u>	<u>Part Number</u>	<u>Qty</u>
01	Wheelarch Liner, front, RH, two piece	See item 02	USA vin BH_11174 , all markets vin, BH_11178	D132U4390F	1
01a	Wheelarch Liner, front, RH, one piece	Not Available order items 01 & 02, see LSL614		B132U4390F	1
01b	Wheelarch Liner, front, LH, two piece	See item 02	USA vin BH_11174 , all markets vin, BH_11178	D132U4389F	1
01c	Wheelarch Liner, front, LH, one piece	Not Available order items 01b & 02a, see LSL614		B132U4389F	1
02	Grille oil cooler exit RH	Forms part of wheelarch liner	USA vin BH_11174 , all markets vin, BH_11178	B132U4476F	1
02a	Grille oil cooler exit LH	Forms part of wheelarch liner	USA vin BH_11174 , all markets vin, BH_11178	B132U4475F	1
03	Wheelarch Liner, rear, LH			B132U4391F	1
04	Wheelarch Liner, rear, RH			B132U4392F	1
05	Panel, lamp access, front			B132U0432F	2
06	Panel, access, rear, LH			B132U0398F	1
07	Mudflap, front, RH			A132B4100F	1
07a	Mudflap, front, LH			A132B4099F	1
08	Bracket, mudflap mounting, RH			A132U4400F	1
08a	Bracket, mudflap mounting, LH			A132U4399F	1
09	Screw, M5 x 16, pan pozi. hd., S/S black, mudflap fix.			A082W5184F	8

EVORA

Function Code 12.01 Wheelarch Liners

<u>Dep</u>	<u>Part Description</u>	<u>Remarks</u>	<u>Option</u>	<u>Part Number</u>	<u>Qty</u>
10	Pop Rivet, bracket to 'A' panel			A132W6024F	8
11	Washer, flat, M4 x 9 x 0.8, bracket to 'A' panel			A082W4099F	4
12	Diffuser Spat, front, RH	Early cars only, also see 10.23	If fitted	B132U4260J	1
12a	Diffuser Spat, front, LH	Early cars only, also see 10.23	If fitted	B132U4259J	1
13	Screw, M6 x 16, hex. flg. hd., spat to bumper			A132W5003F	6
14	Diffuser Spat, rear, RH	Early cars only	If fitted	C132U4258J	1
14a	Diffuser Spat, rear, LH	Early cars only	If fitted	C132U4257J	1
15	Bracket, liner mounting			A132U0434F	2
16	Nyloc Nut, M5, flg., spat to bracket			A132W3000F	4
17	Plastic Fastener, liner fixing			A100W6391F	20
18	Thumbscrew, M6 x 15, access panels fixing			A120W5296F	10
19	Captive Nut, M6, access panels fixing			A117W3181F	10
20	Screw, M5 x 12, hex. flg. hd., bracket to sill	Replaces item 14, 14a	Cars without spats	A132W5002F	4
21	Washer, flat, 3/16" x 3/4", bracket to sill	Replaces item 14, 14a	Cars without spats	A075W4006Z	4
22	Nyloc Nut, M5, bracket to sill	Replaces item 14, 14a	Cars without spats	A132W3000F	4
23	Scrivet M8			A100W6481F	26
24	Washer 6.4 x 18 x 1			B082W4018F	2
25	Nut Nyloc M6			A0907E6285F	2
26	Screw M5 x 16 pan pozi			A124W4195F	2
27	Washer Flat M5 x 25 x 1.5 s/s			A082W5184F	2



EVORA
12.03

Updated 12th September 2011

Service Parts List

EVORA



Function Code 12.03 Grilles and Louvres

<u>Dep</u>	<u>Part Description</u>	<u>Remarks</u>	<u>Option</u>	<u>Part Number</u>	<u>Qty</u>
01	Grille, front intake			D132U0187F	1
02	Grille, front intake, RH	Without intake duct	Up to vin BH_11178	B132U4076F	1
02a	Grille, front inlet duct, RH	For duct see 46.06	USA vin BH_11174 , all markets vin, BH_11178	C132U4076F	1
02b	Grille, front inlet duct, RH	Also for replacement bumpers prior MY12	MY12	A132U4616F	1
03	Grille, front intake , LH	Without intake duct	Up to vin BH_11178	B132U4075F	1
03a	Grille, front inlet duct, LH	For duct see 46.06	USA vin BH_11174 , all markets vin, BH_11178	C132U4075F	1
03b	Grille, front inlet duct, LH	Also for replacement bumpers prior MY12	MY12	A132U4615F	1
04	Grille, front exit, RH			D132U4004F	1
05	Grille, front exit, LH			D132U4003F	1
06	Grille, side intake, RH			B132U4078F	1
07	Grille, side intake, LH			B132U4077F	1
08	Grille, roof, RH			C132U4104F	1
09	Grille, roof, LH			C132U4103F	1
10	Grille, roof centre			C132U0046F	1
11	Grille, tailgate			D132U0091F	1
11a	Trim, tailgate grille			B132U0309F	1

EVORA

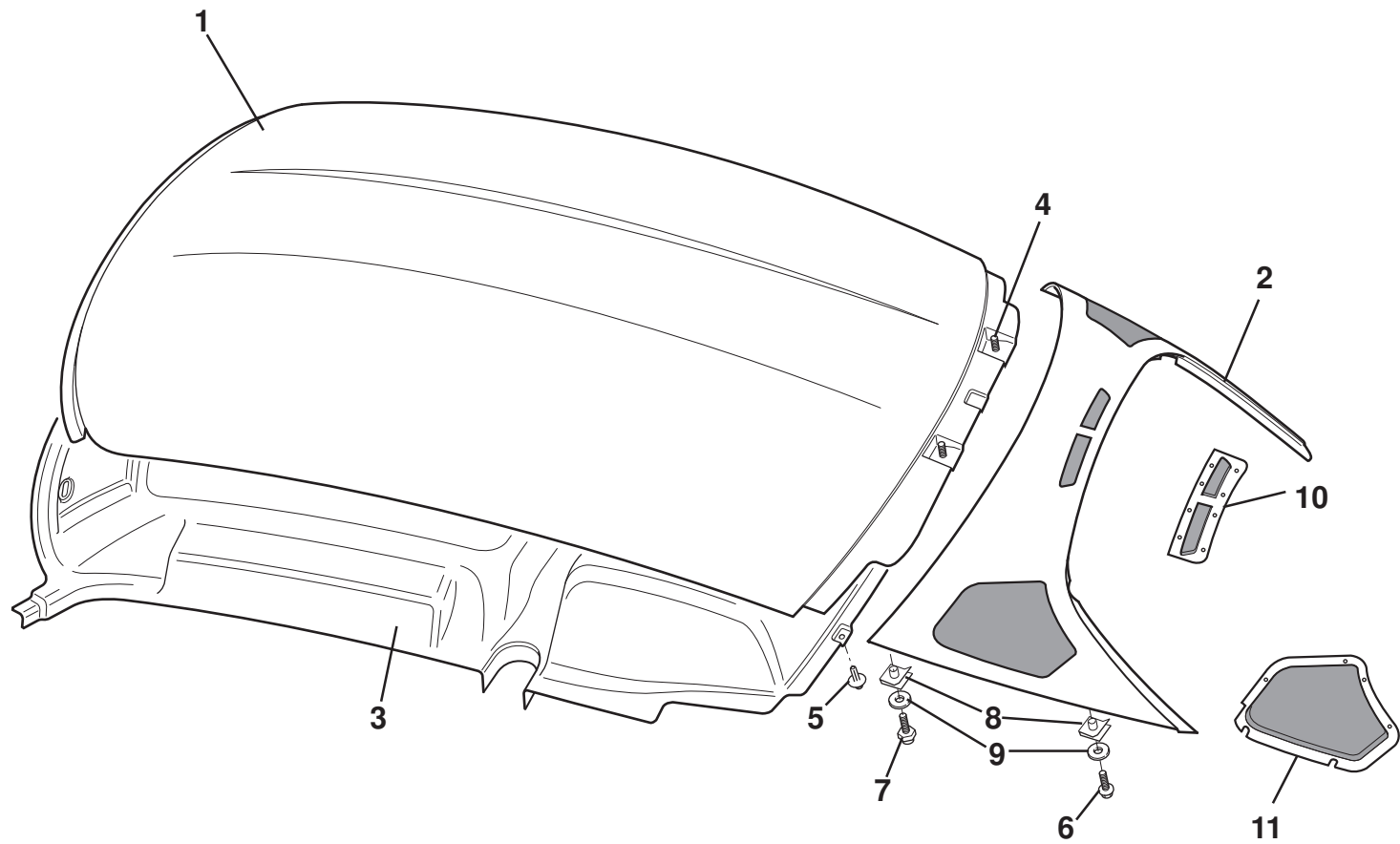
Function Code 12.03 Grilles and Louvres

<u>Dep</u>	<u>Part Description</u>	<u>Remarks</u>	<u>Option</u>	<u>Part Number</u>	<u>Qty</u>
12	Grille, side outlet, RH			D132U4108F	1
13	Grille, side outlet, LH			D132U4107F	1
14	Grille, diffuser, RH			C132U4300F	1
15	Grille, diffuser, LH			C132U4299F	1
16	Blanking Plate, front grille, RH		Up to vin BH_11178	C132U4088F	1
17	Blanking Plate, front grille, LH		Up to vin BH_11178	C132U4087F	1
18	Nyloc Nut, M5, flg., grille fixing			A132W3000F	22
19	Screw, M6 x 16, button hd., grille to diffuser			A082W7105F	8
20	Washer, flat, M6 x 15 x 1.5, grille to diffuser			A082W4133F	16
21	Nyloc Nut, M6, thin, grille to diffuser			A907E6285F	8
22	Screw, No. 8 x 3/4", flg. pozi. black, grille fixing			A075W5074Z	12
23	Rawlnut.nylon			A132W6061F	12
24	Grille Carrier, front inlet duct		USA vin BH_11174 , all markets vin, BH_11178	A132U0586K	2
25	Screw No.6 flg pozi, grille carrier		USA vin BH_11174 , all markets vin, BH_11178	A075W5012F	12
26	Washer Flat M6, grille carrier		USA vin BH_11174 , all markets vin, BH_11178	A075W4013F	12
27	Duct Assembly Closed LH	Also for replacement bumpers prior MY12	MY12 Man (NA & S/Charged)	A132U0867F	1
27a	Duct Assembly Closed RH	Also for replacement bumpers prior MY12	MY12 NA (man & auto)	A132U0868F	1
28	Duct Assembly Open LH		MY12 Auto (NA & S/Charged)	A132U0865F	1



Function Code 12.03 Grilles and Louvres

<u>Dep</u>	<u>Part Description</u>	<u>Remarks</u>	<u>Option</u>	<u>Part Number</u>	<u>Qty</u>
28a	Duct Assembly Open RH		MY12 S/Charged (man & auto)	A132U0866F	1
29	Washer M5 x 10 x 0.8, duct fixing			A075W4011	8



EVORA
12.04

Updated 17th February 2011

Service Parts List

EVORA



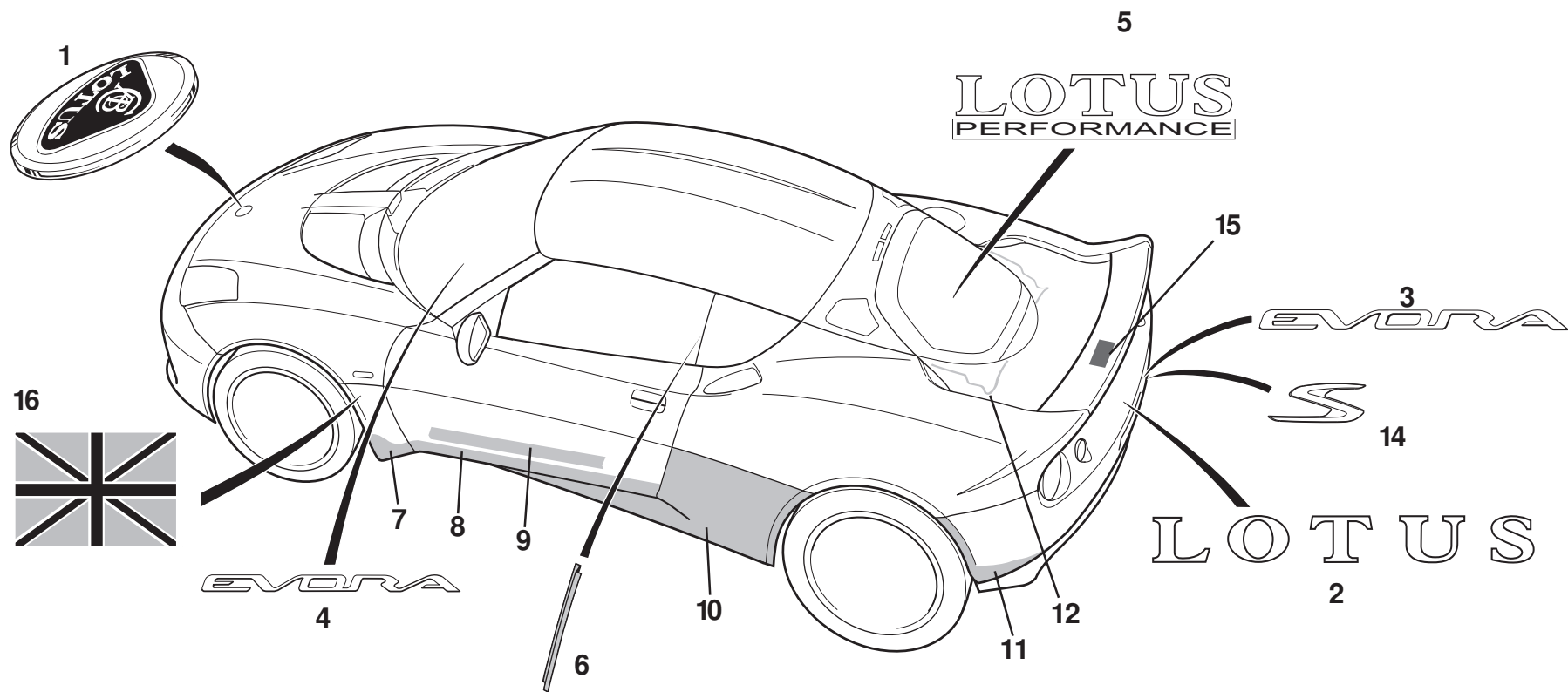
Function Code 12.04 Roof Panel, Seals & Fixings

<u>Dep</u>	<u>Part Description</u>	<u>Remarks</u>	<u>Option</u>	<u>Part Number</u>	<u>Qty</u>
01	Roof Panel	Bonded in position	Primed	A132B0018K	1
02	Ventilation Panel, engine bay	Includes grilles	Black	A132B0209S	1
03	Headliner Assembly, beige			B132U0018F	1
03a	Headliner Assembly, beige, homelink			B132V0168F	1
03b	Headliner Assembly, light grey			F132V0100F	1
03c	Headliner Assembly, light grey, homelink			A132V0981S	1
03d	Headliner Assembly, dark grey			C132V0377F	1
03e	Headliner Assembly, dark grey, homelink			A132V0982S	1
04	Stud, M8 x 15, big head	Bonded to roof		A132W8001F	2
05	Plastic Fastener, headliner rear fixing			A100W6391F	2
06	Screw, M5 x 12, hex. flg. hd., panel fixing			A132W5002F	4
07	Keyslot Stud, M5, panel fixing			A132U0255F	2
08	Spirenut, M5, panel fixing			B10W6372F	6
09	Washer, M6 x 15mm x 1.5mm S/S, panel fixing			A082W4133F	6
10	Grille Roof Centre			C132U0046H	1
11	Grille Roof LH			C132U4103H	1
11a	Grille Roof RH			C132U4104H	1

EVORA

Function Code: 12.04, Page: 1

Updated 27th february 2013



EVORA
12.05

Updated 27th february 2013

Service Parts List

EVORA



Function Code 12.05 Decals, Badges & Protective Film

<u>Dep</u>	<u>Part Description</u>	<u>Remarks</u>	<u>Option</u>	<u>Part Number</u>	<u>Qty</u>
01	Nose Badge, Lotus logo			A117U0170F	1
02	Badge, L O T U S, 'raised chrome' letters	On rear transom		A124B0326F	1
02a	Badge, L O T U S, 'raised gloss black' letters	On rear transom		A132U0988S	1
03	Badge, 'Evora', rear transom	Chrome		A132U0337F	1
03a	Badge, 'Evora', rear transom	Gloss black		A132U0989S	1
04	Badge, 'Evora', cabin fascia			A132U0382F	1
04a	Starlock Fastener. badge retention	Not illustrated		A124W6797F	2
05	Decal, 'LOTUS PERFORMANCE'	On engine cover		B132U0435F	1
06	Decal, blackout, 'B' post			A132U0344F	2
07	Film, protective, 'A' panel, LH			A132X4001H	1
07a	Film, protective, 'A' panel, RH			A132X4002H	1
08	Film, protective, door lower, LH			A132X4005H	1
08a	Film, protective, door lower, RH			A132X4006H	1
09	Film, protective, bodyside sill, LH			A132X4009H	1
09a	Film, protective, bodyside sill, RH			A132X4010H	1
10	Film, protective, bodyside, LH			A132X4003H	1
10a	Film, protective, bodyside, RH			A132X4004H	1
11	Film, protective, rear bumper, LH			A132X4007H	1

EVORA

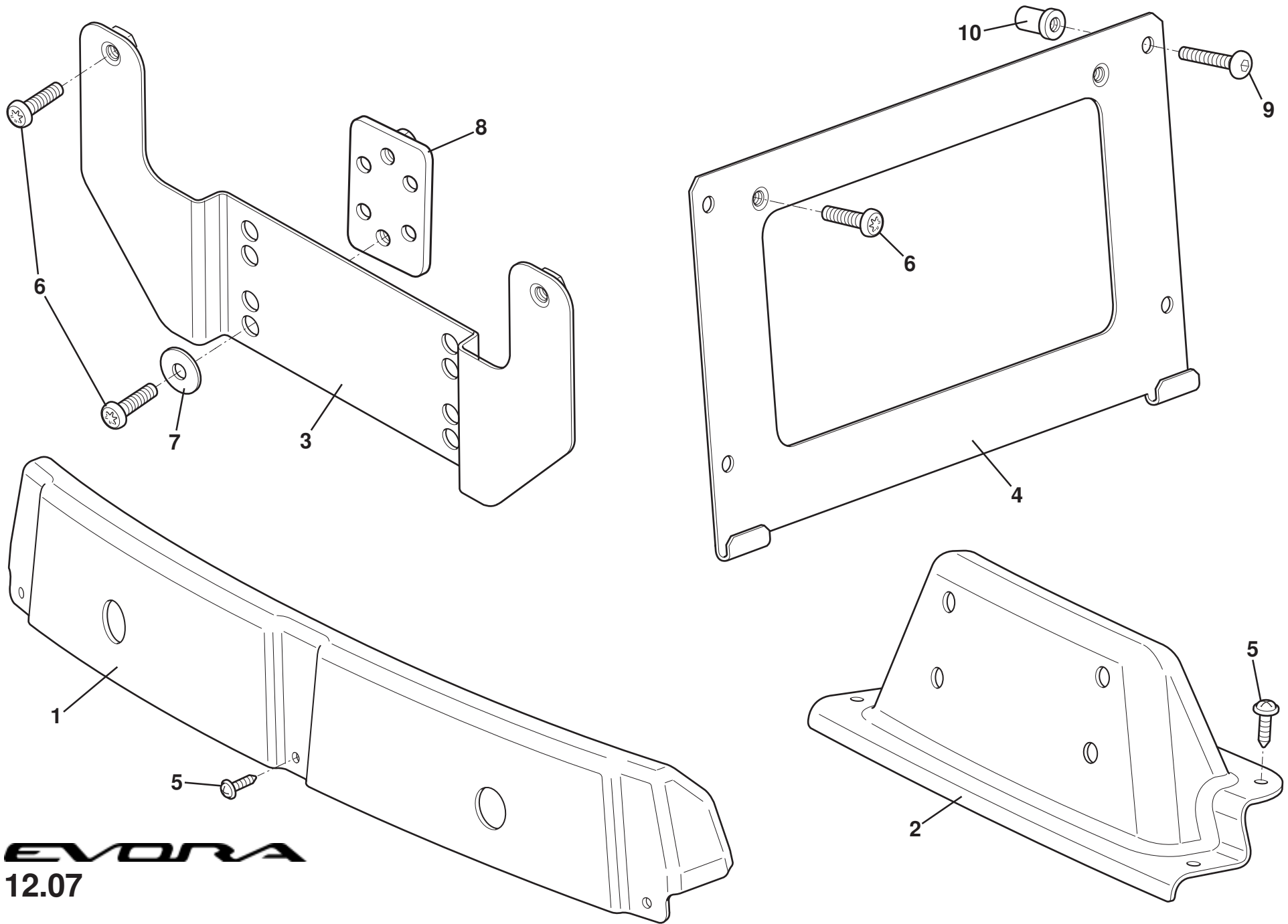
Function Code: 12.05, Page: 1

Updated 4th April 2013

Function Code 12.05 Decals, Badges & Protective Film

<u>Dep</u>	<u>Part Description</u>	<u>Remarks</u>	<u>Option</u>	<u>Part Number</u>	<u>Qty</u>
11a	Film, protective, rear bumper, RH			A132X4008H	1
12	Film, protective, rear clamshell gutter	See also 10.01		A132X0023F	1
13	Film Kit, paint protection	Includes items 6 to 12		A132X0016F	1
14	Badge 'S'	Chrome	Evora S	A132U0608F	1
14a	Badge 'S'	Gloss black	Evora S	A132U0990S	1
15	Blanking Decal, tailgate inner			A132U0570F	1
16	Badge, union jack, enamel			A132U0995S	2





EVORA
12.07

2010/01

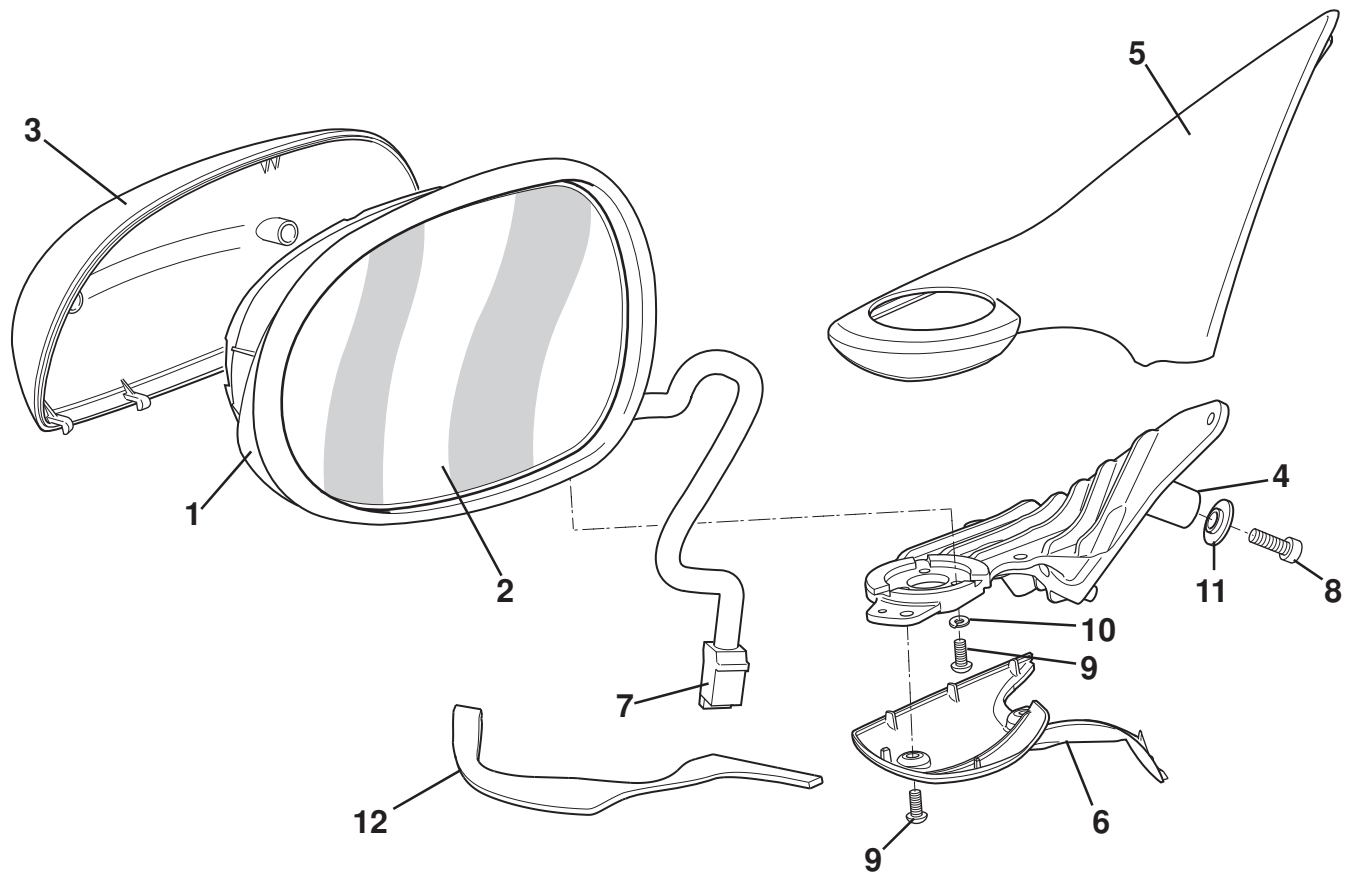
Service Parts List



Function Code 12.07 Licence Plate Mountings

<u>Dep</u>	<u>Part Description</u>	<u>Remarks</u>	<u>Option</u>	<u>Part Number</u>	<u>Qty</u>
01	Plinth, license plate front, EU		Euro	C132U0056F	1
02	Plinth, license plate front, federal		USA/Canada/Japan	A132U0057K	1
03	Carrier Plate, front, license plate Japan		Japan	A132U0467F	1
03a	Carrier Plate, front, license plate, federal		USA/Canada	A121U0170F	1
04	Carrier Plate, rear, license plate, Japan		Japan	A132U0480F	1
05	Screw, no. 6 x 3/8", self tapping		Common	A075W5019F	5
06	Screw, M6 x 16, pan hd. torx S/S		Japan, USA/Canada	A117W2213F	8
07	Washer, M6 x 15,x 1.5, S/S black		Japan, USA/Canada	A082W4133F	4
08	Nutplate, M6, carrier to plinth		Japan, USA/Canada	A121B0119F	2
09	Screw, M5 x 20, button hd., black, plate to bumper rear		Japan	A111W7152F	4
10	Rawlnut, M5, rubber, plate to bumper rear		Japan	A075W6074F	4





EVORA
12.09

Updated 27th february 2013

Service Parts List

EVORA



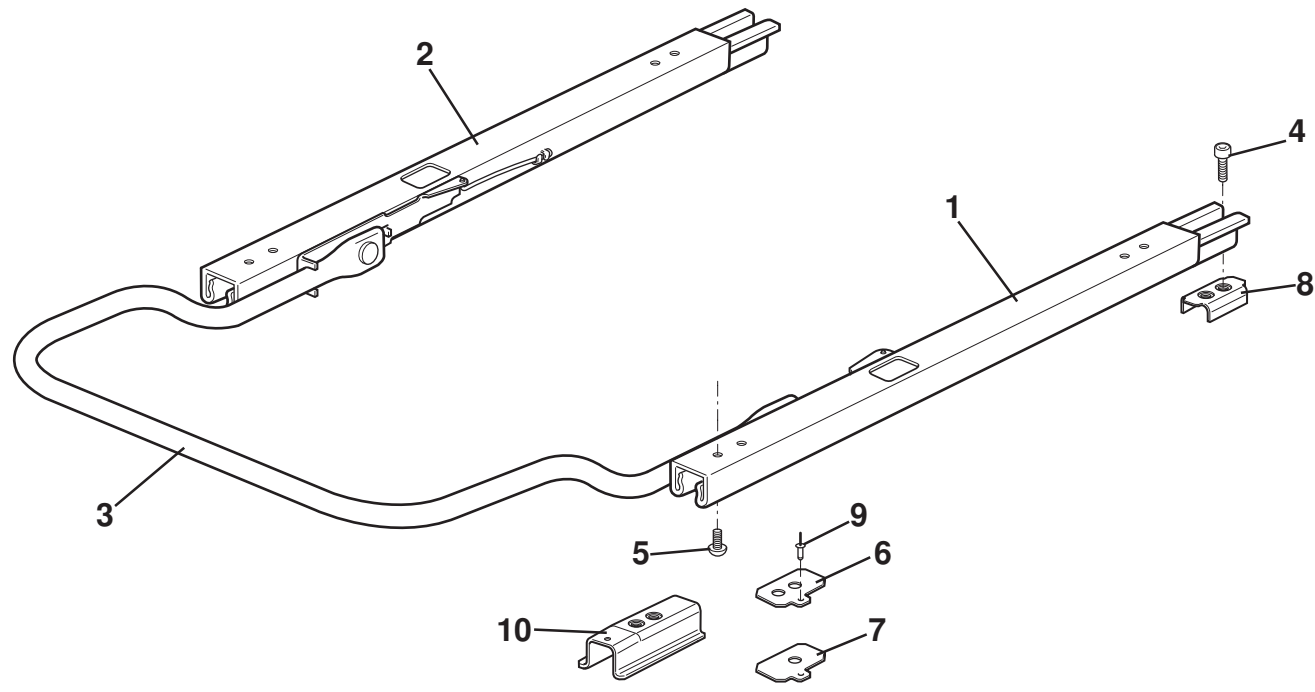
Function Code 12.09 Exterior Driving Mirrors

<u>Dep</u>	<u>Part Description</u>	<u>Remarks</u>	<u>Option</u>	<u>Part Number</u>	<u>Qty</u>
01	Door Mirror, powerfold, LH	Without glass		A132U4333K	1
01a	Door Mirror, powerfold, RH	Without glass		A132U4334K	1
02	Glass, flat		USA/Canada and Gulf States LH	A132U6060F	1
02a	Glass, convex	Except USA/Canada and Gulf States	Common RH & LH,	A132U6059F	2
02b	Glass, convex with warning graphic FED		USA/Canada RH	A132U6061F	1
02c	Glass, convex with warning graphic, in arabic		Gulf States RH	A132U6086F	1
03	Cover, mirror housing, LH		Primed	A132U6057F	1
03a	Cover, mirror housing, RH		Primed	A132U6058F	1
04	Mirror Plinth, cast, LH			B132U4315F	1
04a	Mirror Plinth, cast, RH			B132U4316F	1
05	Cover, mirror plinth upper, LH			B132U4317F	1
05a	Cover, mirror plinth upper, RH			B132U4318F	1
06	Cover, mirror plinth, lower, LH			C132U4319F	1
06a	Cover, mirror plinth, lower, RH			C132U4320F	1
07	Connector, 8 way, mirror harness			A132M6088F	2
08	Screw, M8 x 16, cap skt. hd., mirror foot to door			A111W7125F	4
09	Screw, M4 x 10, pan pozi. black, lower cover to foot			B075W5079F	10

EVORA

Function Code 12.09 Exterior Driving Mirrors

<u>Dep</u>	<u>Part Description</u>	<u>Remarks</u>	<u>Option</u>	<u>Part Number</u>	<u>Qty</u>
10	Washer Spring 4mm			A124W4198F	6
11	Collar, mirror mounting			A132U0270F	4
12	Seal, mirror foot LH			A132U4321F	1
12a	Seal, mirror foot RH			A132U4322F	1



EVORA
13.01

Updated 14th September 2010

Service Parts List



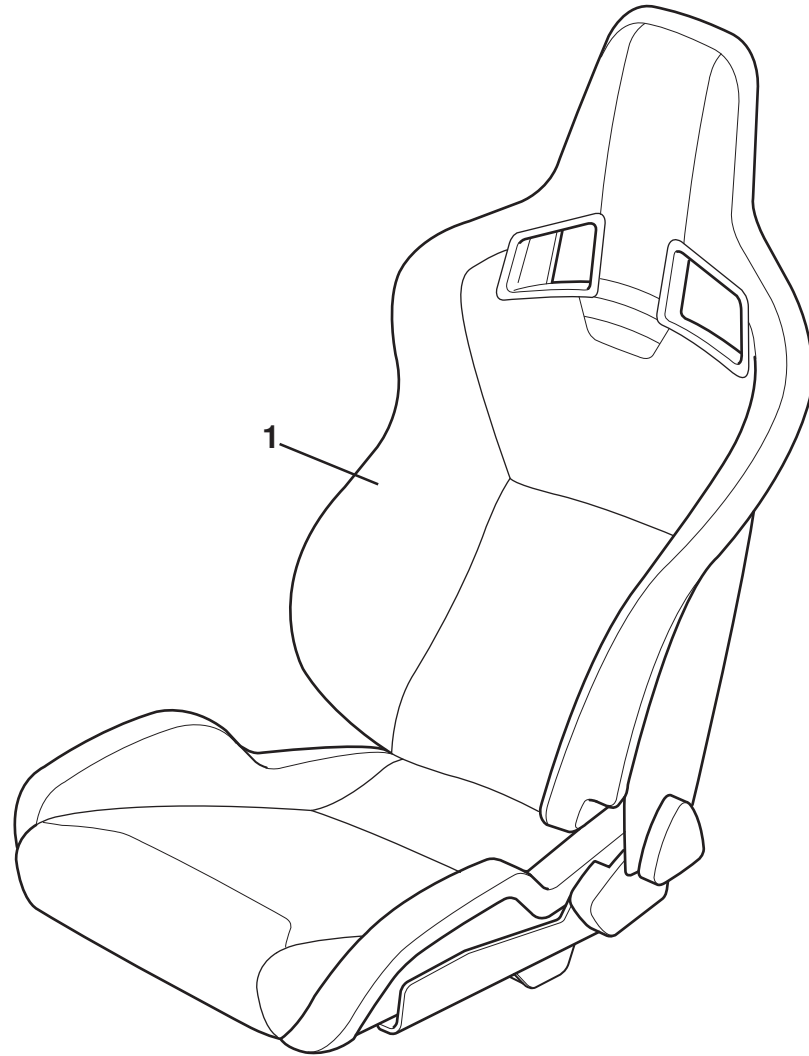
Function Code 13.01 Seat Runners

<u>Dep</u>	<u>Part Description</u>	<u>Remarks</u>	<u>Option</u>	<u>Part Number</u>	<u>Qty</u>
01	Seat Runner, LH	Any LH or RH seat	Non USA/GCC up to vin BH_11177	A132V6028F	2
01a	Seat Runner, Outer	LH seat only	All USA, & all markets from vin BH_11178	A132V4255F	1
01b	Seat Runner, Inner	RH seat only	All USA, & all markets from vin BH_11178	A132V4360F	1
02	Seat Runner, RH	Any LH or RH seat	Non USA/GCC up to vin BH_11177	A132V6029F	2
02a	Seat Runner, Inner	LH seat only	All USA, & all markets from vin BH_11178	A132V4359F	1
02b	Seat Runner, Outer	RH seat only	All USA, & all markets from vin BH_11178	A132V4256F	1
03	Release Handle, seat runners	Any LH or RH seat	Non USA/GCC up to vin BH_11177	A132V4163F	2
03a	Release Handle, seat runners		All USA, & all markets from vin BH_11178	A132V0251F	2
04	Screw, M8 x 25, cap hd. black, runner to chassis			A111W7132F	4
05	Screw, M8 x 20, button hd. black, runner to seat			A075W7022F	4
06	Spacer, seat front mounting	2 off, USA driver	Euro	A132A0360F	4
07	Spacer, seat front mounting, federal		USA, passenger only	A132A0411F	2
08	Nutplate, seat rear mounting			A132A0290F	4
09	Pop Rivet, spacer retaining			A111W6603F	4



Function Code 13.01 Seat Runners

<u>Dep</u>	<u>Part Description</u>	<u>Remarks</u>	<u>Option</u>	<u>Part Number</u>	<u>Qty</u>
10	Nutplate, seat front mounting			B132A0349F	4



EVORA

13.02

Service Parts List

EVORA



Function Code 13.02 Seat Assemblies, front

<u>Dep</u>	<u>Part Description</u>	<u>Remarks</u>	<u>Option</u>	<u>Part Number</u>	<u>Qty</u>
01	Seat, front, black leather, RH			A132V4186F	1
01a	Seat, front, black leather, RH	Complete with runners	Federal	A132V4270F	1
01b	Seat, front, black leather, RH, heated	Complete with runners	Option all markets from vin BH_11178	A132V4390F	1
01c	Seat, front, oyster leather, RH			A132V4188F	1
01d	Seat, front, oyster leather, RH	Complete with runners	Federal	A132V4274F	1
01e	Seat, front, oyster leather, RH, heated	Complete with runners	Option all markets from vin BH_11178	A132V4394F	1
01f	Seat, front, graphite leather, RH			A132V4192F	1
01g	Seat, front, graphite leather, RH	Complete with runners	Federal	A132V4276F	1
01h	Seat, front, graphite leather, RH, heated	Complete with runners	Option all markets from vin BH_11178	A132V4396F	1
01i	Seat, front, paprika leather, RH			A132V4194F	1
01j	Seat, front, paprika leather, RH	Complete with runners	Federal	A132V4272F	1
01k	Seat, front, paprika leather, RH, heated	Complete with runners	Option all markets from vin BH_11178	A132V4392F	1
01l	Seat, front, cocobolo leather, RH			A132V4214F	1
01m	Seat, front, cocobolo leather, RH	Complete with runners	Federal	A132V4278F	1
01n	Seat, front, cocobolo leather, RH, heated	Complete with runners	Option all markets from vin BH_11178	A132V4398F	1

EVORA

Function Code 13.02 Seat Assemblies, front

<u>Dep</u>	<u>Part Description</u>	<u>Remarks</u>	<u>Option</u>	<u>Part Number</u>	<u>Qty</u>
01o	Seat, front, suedetex, RH, heated	Complete with runners	Option all markets from vin BH_11178	A132V4424F	1
01p	Seat, front, chestnut leather, RH			A132V4190F	1
01q	Seat, front, black leather, RH	Complete with runners	MY12	A132V4486F	1
01r	Seat, front, black leather, RH, heated	Complete with runners	MY12	A132V4488F	1
01s	Seat, front, ivory white leather, RH, heated	Complete with runners	MY12	A132V4490F	1
01t	Seat, front, venom red leather, RH, heated	Complete with runners	MY12	A132V4492F	1
01u	Seat, front, ash grey leather, RH, heated	Complete with runners	MY12	A132V4494F	1
01v	Seat, front, cognac brown leather, RH, heated	Complete with runners	MY12	A132V4496F	1
01w	Seat, front, cocoa brown leather, RH, heated	Complete with runners	MY12	A132V4498F	1
01x	Seat, front, imperial blue leather, RH, heated	Complete with runners	MY12	A132V4500F	1
01y	Seat, front, suedetex slate grey, RH, heated	Complete with runners	MY12	A132V4502F	1
01az	Seat, front, black leather, RH, heated,	Red stitching & piping, Complete with runners	MY12	A132V4504F	1
01bz	Seat, front, venom red leather, RH, heated	Black stitching & piping, Complete with runners	MY12	A132V4506F	1
01cz	Seat, front, imperial blue leather, RH, heated	Black stitching & piping, Complete with runners	MY12	A132V4508F	1
01dz	Seat, front, cocoa brown leather, RH, heated	Black stitching & piping, Complete with runners	MY12	A132V4510F	1
02	Seat, front, black leather, LH			A132V4185F	1
02a	Seat, front, black leather, LH	Complete with runners	Federal	A132V4269F	1



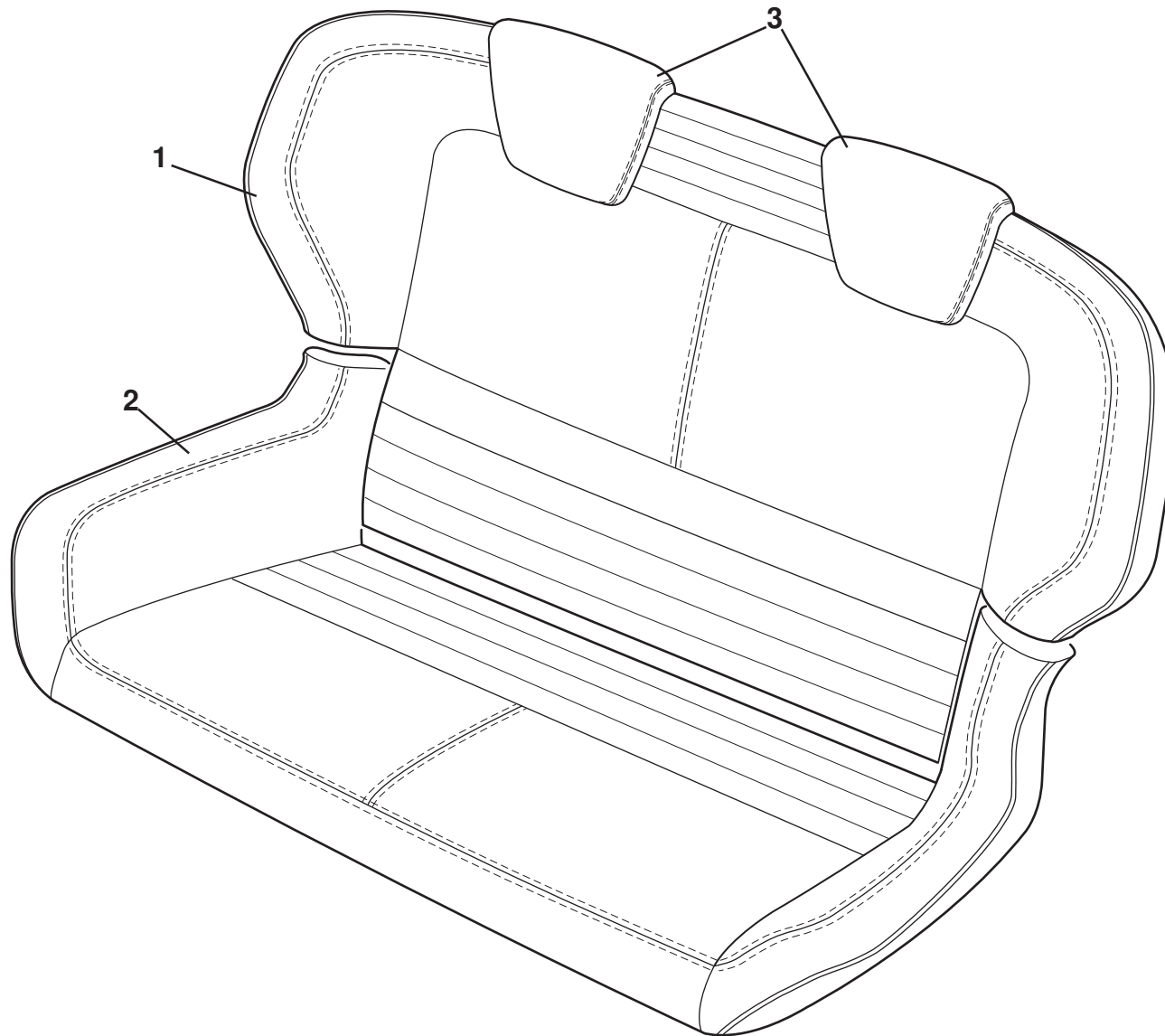
Function Code 13.02 Seat Assemblies, front

<u>Dep</u>	<u>Part Description</u>	<u>Remarks</u>	<u>Option</u>	<u>Part Number</u>	<u>Qty</u>
02b	Seat, front, black leather, LH, heated	Complete with runners	Option all markets from vin BH_11178	A132V4389F	1
02c	Seat, front, oyster leather, LH			A132V4187F	1
02d	Seat, front, oyster leather, LH	Complete with runners	Federal	A132V4273F	1
02e	Seat, front, oyster leather, LH, heated	Complete with runners	Option all markets from vin BH_11178	A132V4393F	1
02f	Seat, front, graphite leather, LH			A132V4191F	1
02g	Seat, front, graphite leather, LH	Complete with runners	Federal	A132V4275F	1
02h	Seat, front, graphite leather, LH, heated	Complete with runners	Option all markets from vin BH_11178	A132V4395F	1
02i	Seat, front, paprika leather, LH			A132V4193F	1
02j	Seat, front, paprika leather, LH, heated	Complete with runners	Option all markets from vin BH_11178	A132V4391F	1
02k	Seat, front, paprika leather, LH	Complete with runners	Federal	A132V4271F	1
02l	Seat, front, cocobolo leather, LH			A132V4213F	1
02m	Seat, front, cocobolo leather, LH	Complete with runners	Federal	A132V4277F	1
02n	Seat, front, cocobolo leather, LH, heated	Complete with runners	Option all markets from vin BH_11178	A132V4397F	1
02o	Seat, front, suedetex, LH, heated	Complete with runners	Option all markets from vin BH_11178	A132V4423F	1
02p	Seat, front, chestnut leather, LH			A132V4189F	1
02q	Seat, front, black leather, LH	Complete with runners	MY12	A132V4485F	1
02r	Seat, front, black leather, LH, heated	Complete with runners	MY12	A132V4487F	1



Function Code 13.02 Seat Assemblies, front

<u>Dep</u>	<u>Part Description</u>	<u>Remarks</u>	<u>Option</u>	<u>Part Number</u>	<u>Qty</u>
02s	Seat, front, ivory white leather, LH, heated	Complete with runners	MY12	A132V4489F	1
02t	Seat, front, venom red leather, LH, heated	Complete with runners	MY12	A132V4491F	1
02u	Seat, front, ash grey leather, LH, heated	Complete with runners	MY12	A132V4493F	1
02v	Seat, front, cognac brown leather, LH, heated	Complete with runners	MY12	A132V4495F	1
02w	Seat, front, cocoa brown leather, LH, heated	Complete with runners	MY12	A132V4497F	1
02x	Seat, front, imperial blue leather, LH, heated	Complete with runners	MY12	A132V4499F	1
02y	Seat, front, suedetex slate grey, LH, heated	Complete with runners	MY12	A132V4501F	1
02az	Seat, front, black leather, LH, heated,	Red stitching & piping, Complete with runners	MY12	A132V4503F	1
02bz	Seat, front, venom red leather, LH, heated	Black stitching & piping, Complete with runners	MY12	A132V4505F	1
02cz	Seat, front, imperial blue leather, LH, heated	Black stitching & piping, Complete with runners	MY12	A132V4507F	1
02dz	Seat, front, cocoa brown leather, LH, heated	Black stitching & piping, Complete with runners	MY12	A132V4509F	1



EVORA

13.19

2009/02

Service Parts List

EVORA



Function Code 13.19 Seat Assembly, rear

<u>Dep</u>	<u>Part Description</u>	<u>Remarks</u>	<u>Option</u>	<u>Part Number</u>	<u>Qty</u>
01	Seat Backrest Assembly, rear, cloth			A132V0923S	1
01a	Seat Backrest Assembly, rear, black trim band, leather		Black	A132V0276S	1
01b	Seat Backrest Assembly, rear, paprika trim band, leather		Black	A132V0277S	1
01c	Seat Backrest Assembly, rear, oyster trim band, leather		Black	A132V0278S	1
01d	Seat Backrest Assembly, rear, graphite trim band, leather		Black	A132V0279S	1
01e	Seat Backrest Assembly, rear, chestnut, trim band ,leather		Black	A132V0280S	1
01f	Seat Backrest Assembly, rear, cocobolo, trim band, leather		Black	A132V0367S	1
01g	Seat Backrest Assembly, rear, leather		MY12 Ivory White	A132V0606S	1
01h	Seat Backrest Assembly, rear, leather		MY12 Venom Red	A132V0607S	1
01i	Seat Backrest Assembly, rear, leather		MY12 Ash Gray	A132V0608S	1
01j	Seat Backrest Assembly, rear, leather		MY12 Cognac Brown	A132V0609S	1
01k	Seat Backrest Assembly, rear, leather		MY12 Cocoa Brown	A132V0610S	1
01l	Seat Backrest Assembly, rear, leather		MY12 Imperial Blue	A132V0611S	1
01m	Seat Backrest Assembly, rear, suedetex		MY12 Suedetex Slate Grey	A132V0612S	1
01n	Seat Backrest Assembly, rear, leather	Red stitching & piping	MY12 Black	A132V0613S	1
01o	Seat Backrest Assembly, rear, leather	Black stitching & piping	MY12 Venom Red	A132V0614S	1
01p	Seat Backrest Assembly, rear, leather	Black stitching & piping	MY12 Imperial Blue	A132V0615S	1
01q	Seat Backrest Assembly, rear, leather	Black stitching & piping	MY12 Cocoa Brown	A132V0616S	1

EVORA

Function Code: 13.19, Page: 1

Updated 4th April 2013

Function Code 13.19 Seat Assembly, rear

<u>Dep</u>	<u>Part Description</u>	<u>Remarks</u>	<u>Option</u>	<u>Part Number</u>	<u>Qty</u>
02	Seat Cushion Assembly, rear cloth			A132V0924S	1
02a	Seat Cushion Assembly, rear, leather		Black	A132V0281S	1
02b	Seat Cushion Assembly, rear, leather		MY12 Ivory White	A132V0617S	1
02c	Seat Cushion Assembly, rear, leather		MY12 Venom Red	A132V0618S	1
02d	Seat Cushion Assembly, rear, leather		MY12 Ash Gray	A132V0619S	1
02e	Seat Cushion Assembly, rear, leather		MY12 Cognac Brown	A132V0620S	1
02f	Seat Cushion Assembly, rear, leather		MY12 Cocoa Brown	A132V0621S	1
02g	Seat Cushion Assembly, rear, leather		MY12 Imperial Blue	A132V0622S	1
02h	Seat Cushion Assembly, rear, suedetex		MY12 Suedetex Slate Grey	A132V0623S	1
02i	Seat Cushion Assembly, rear, leather	Red stitching & piping	MY12 Black	A132V0624S	1
02j	Seat Cushion Assembly, rear, leather	Black stitching & piping	MY12 Venom Red	A132V0625S	1
02k	Seat Cushion Assembly, rear, leather	Black stitching & piping	MY12 Imperial Blue	A132V0626S	1
02l	Seat Cushion Assembly, rear, leather	Black stitching & piping	MY12 Cocoa Brown	A132V0627S	1
03	Headrest, rear seat, cloth			A132V0998S	2
03a	Headrest, rear seat leather		Black	A132V0282S	2
03b	Headrest, rear seat, leather		MY12 Ivory White	A132V0628S	2
03c	Headrest, rear seat, leather		MY12 Venom Red	A132V0629S	2
03d	Headrest, rear seat, leather		MY12 Ash Gray	A132V0630S	2
03e	Headrest, rear seat, leather		MY12 Cognac Brown	A132V0631S	2
03f	Headrest, rear seat, leather		MY12 Cocoa Brown	A132V0632S	2
03g	Headrest, rear seat, leather		MY12 Imperial Blue	A132V0633S	2

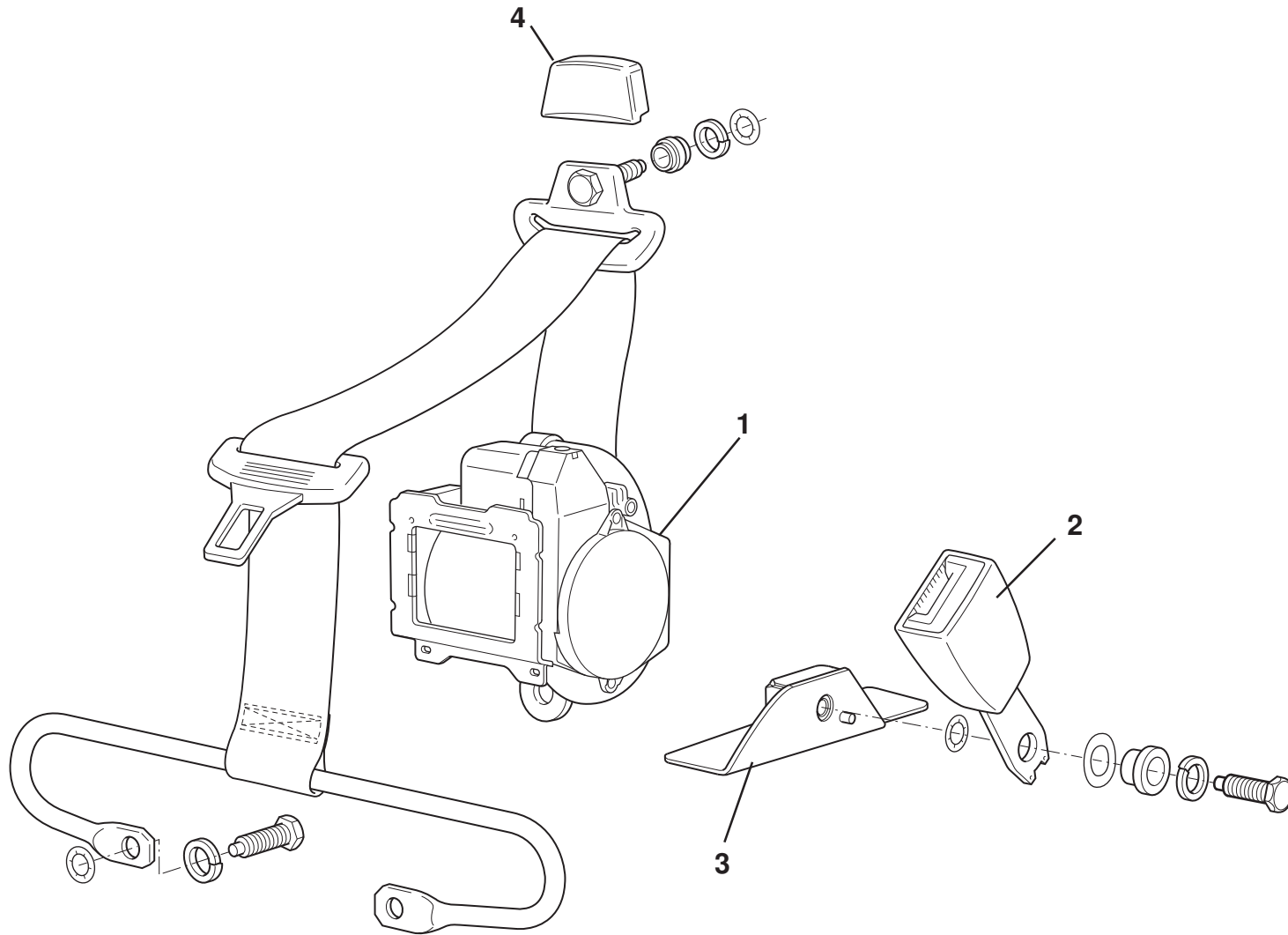


Function Code: 13.19, Page: 2

Updated 4th April 2013

Function Code 13.19 Seat Assembly, rear

<u>Dep</u>	<u>Part Description</u>	<u>Remarks</u>	<u>Option</u>	<u>Part Number</u>	<u>Qty</u>
03h	Headrest, rear seat, suedetex		MY12 Suedetex Slate Grey	A132V0634S	2
03i	Headrest, rear seat, leather	Red stitching & piping	MY12 Black	A132V0635S	2
03j	Headrest, rear seat, leather	Black stitching & piping	MY12 Venom Red	A132V0636S	2
03k	Headrest, rear seat, leather	Black stitching & piping	MY12 Imperial Blue	A132V0637S	2
03l	Headrest, rear seat, leather	Black stitching & piping	MY12 Cocoa Brown	A132V0638S	2
04	Nut, M5, hex flg, backrest assembly upper	Not illustrated		A132W3000F	2
05	Screw, M5x16, hex hd flg, backrest assembly lower	Not illustrated		A132W5016F	2
06	Velcro self adhesive 100mm x 170mm, seat to floor	Not illustrated		A124V0058V	4



EVORA

13.27

Updated 21st November 2012

Service Parts List

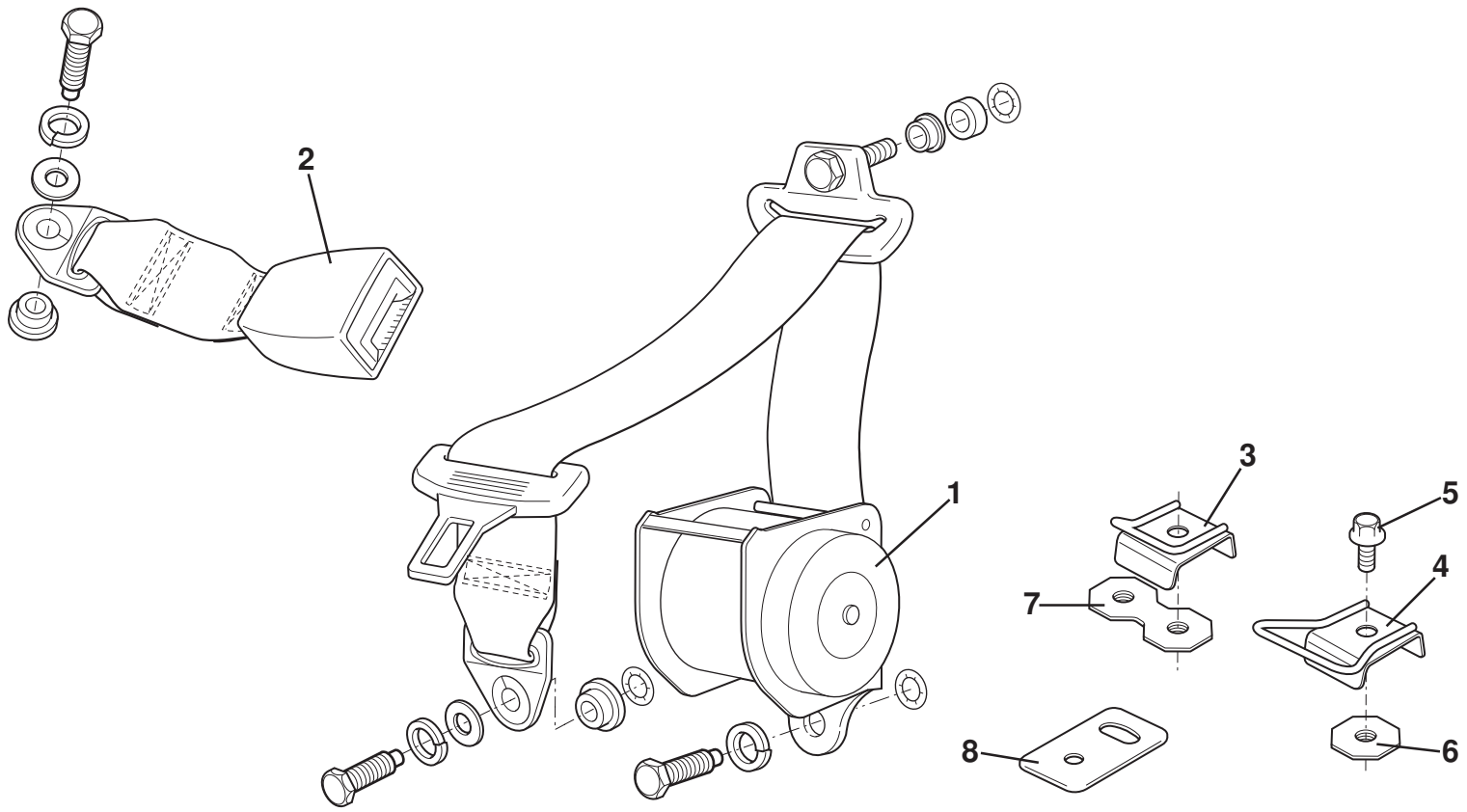
EVORA



Function Code 13.27 Seat Belts, front

<u>Dep</u>	<u>Part Description</u>	<u>Remarks</u>	<u>Option</u>	<u>Part Number</u>	<u>Qty</u>
01	Seat Belt, with pre-tensioner, front, RH		Non USA up to vin BH_11297	C132U6010F	1
01a	Seat Belt, with pre-tensioner, front, LH		Non USA up to vin BH_11297	C132U6011F	1
01b	Seat Belt, with pre-tensioner, front, RH, federal		USA all markets from vin BH_11298	A132V4236F	1
01c	Seat Belt, with pre-tensioner, front, LH, federal		USA all markets from vin BH_11298	A132V4237F	1
02	Buckle, seat belt, switched, driver			B132U6012F	1
02a	Buckle, seat belt, un-switched, pasenger			B132U6013F	1
03	Bracket Seat Belt Buckle RH	Non heated non federal seats		B132U4374F	1
03a	Bracket Seat Belt Buckle LH	Non heated non federal seats		B132U4373F	1
4	D Loop Cover			A132U0969S	2

EVORA



EVORA

13.29

2010/01

Service Parts List

EVORA



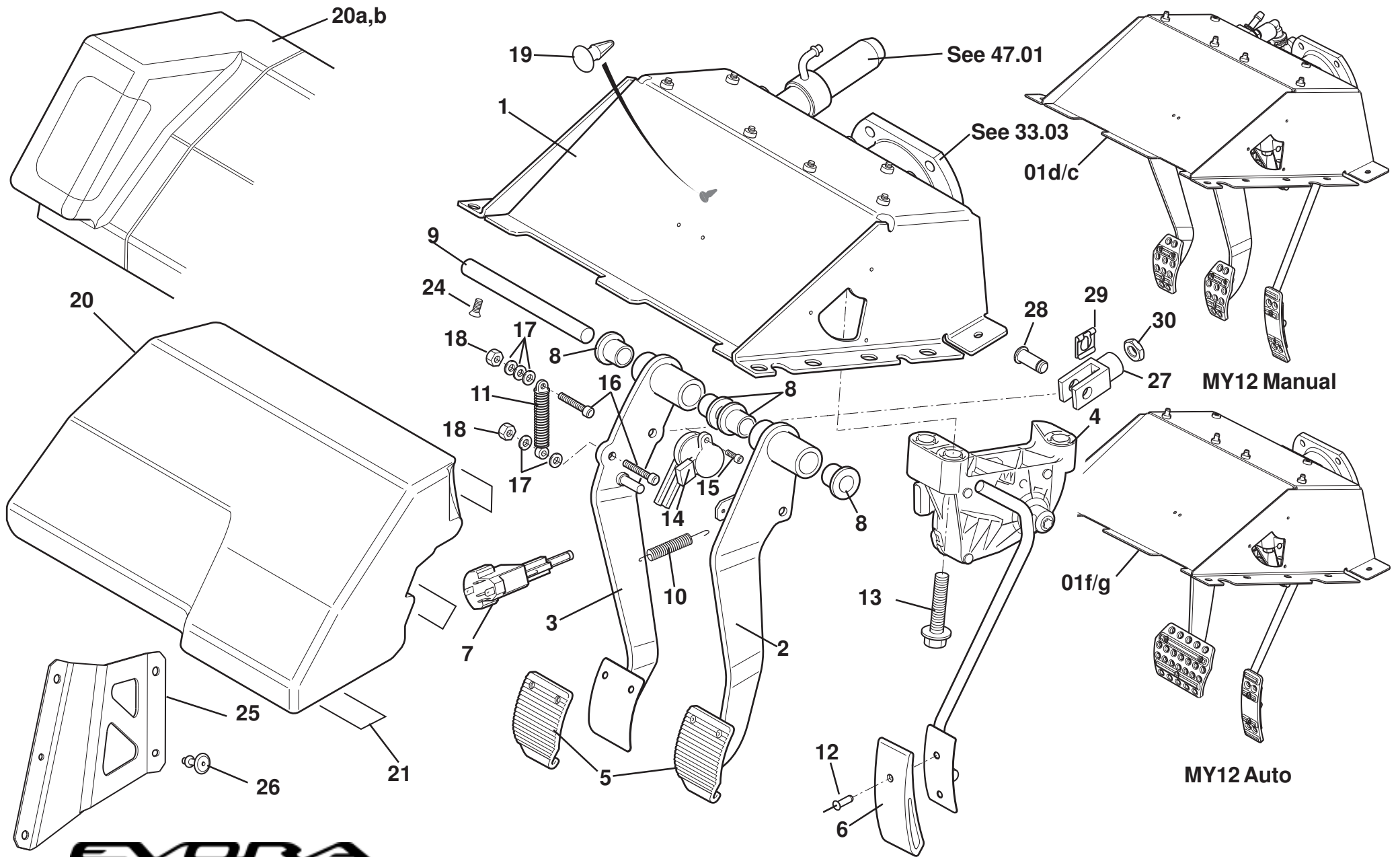
Function Code 13.29 Seat Belts, rear

<u>Dep</u>	<u>Part Description</u>	<u>Remarks</u>	<u>Option</u>	<u>Part Number</u>	<u>Qty</u>
01	Seat Belt, retractor, rear		Non USA up to vin BH_11297	B132V0149F	2
01a	Seat Belt, retractor, rear, federal		USA all markets from vin BH_11298	A132V0239F	2
02	Buckle, seat belt rear			A132V0150F	2
03	Bracket, ISOFIX latching			A132U0438F	4
04	Bracket, ISOFIX tether routing			A132U0511F	2
05	Screw, M10 x 20, hex. flg. hd., brackets to chassis			A132W5007F	6
06	Nutplate, M10, bracket to chassis			B132A0222F	2
07	Nutplate, M10, double, bracket to chassis			B132A0192F	4
08	Bracket. ISOFIX tether, front	Fits under seat runner		A132V0258F	2
09	Kit, ISOFIX retro-fit	Comprises items 3 to 8		A132U0568S	1

EVORA

Function Code: 13.29, Page: 1

Updated 26th February 2011



EVORA

14.01

Updated 16th July 2012

Service Parts List



Function Code 14.01 Pedal Box, Pedals, Throttle Control

<u>Dep</u>	<u>Part Description</u>	<u>Remarks</u>	<u>Option</u>	<u>Part Number</u>	<u>Qty</u>
01	Pedalbox Assembly, without servo, RHD	Includes pedals & metal clutch master cylinder*		D132J0011F	1
01a	Pedalbox Assembly, without servo, LHD	Includes pedals & metal clutch master cylinder*		C132J0129F	1
01b	Pedalbox Assembly, without servo, RHD	Includes pedals & plastic clutch master cylinder		A132J0215F	1
01c	Pedalbox Assembly, without servo, LHD	Includes pedals & plastic clutch master cylinder*		A132J0214F	1
01d	Pedalbox Assembly, without servo, RHD	Includes pedals*	MY10,11 Auto NA	A132J0153F	1
01e	Pedalbox Assembly, without servo, LHD	Includes pedals*	MY10,11 Auto NA	A132J0156F	1
01f	Pedalbox Assembly, without servo, RHD	Includes pedals & plastic clutch master cylinder	MY12 Man (NA & S/Charged)	B132J0215F	1
01g	Pedalbox Assembly, without servo, LHD	Includes pedals & plastic clutch master cylinder	MY12 Man (NA & S/Charged)	B132J0214F	1
01h	Pedalbox Assembly, without servo, RHD	Includes pedals	MY12 Auto (NA & S/Charged)	B132J0153F	1
01i	Pedalbox Assembly, without servo, LHD	Includes pedals	MY12 Auto (NA & S/Charged)	B132J0156F	1
02	Brake Pedal Assembly, RHD		MY10, 11 Man (NA & S/Charged)	B132J0038H	1
02a	Brake Pedal Assembly, LHD		MY10, 11 Man (NA & S/Charged)	A132J0132H	1
02b	Brake Pedal Assembly, RHD		MY10,11 Auto NA	A132J0154H	1
02c	Brake Pedal Assembly, LHD		MY10,11 Auto NA	A132J0155H	1



Function Code 14.01 Pedal Box, Pedals, Throttle Control

<u>Dep</u>	<u>Part Description</u>	<u>Remarks</u>	<u>Option</u>	<u>Part Number</u>	<u>Qty</u>
02d	Brake Pedal Assembly, RHD	To be confirmed	MY12 Man (NA & S/Charged)		1
02e	Brake Pedal Assembly, LHD	To be confirmed	MY12 Man (NA & S/Charged)		1
02f	Brake Pedal Assembly, RHD	To be confirmed	MY12 Auto (NA & S/Charged)		1
02g	Brake Pedal Assembly, LHD	To be confirmed	MY12 Auto (NA & S/Charged)		1
03	Clutch Pedal Assembly, RHD		MY10, 11 Man (NA & S/Charged)	B132J0040H	1
03a	Clutch Pedal Assembly, LHD		MY10, 11 Man (NA & S/Charged)	A132J0131H	1
03b	Clutch Pedal Assembly, RHD	To be confirmed	MY12 Man (NA & S/Charged)		1
03c	Clutch Pedal Assembly, LHD	To be confirmed	MY12 Man (NA & S/Charged)		1
04	Electronic Throttle Assembly			A116J0003L	1
05	Pad, brake & clutch pedals		MY10, 11 Man (NA & S/Charged)	A132J0109H	2
05a	Pad, brake & clutch pedals		MY12 Man(NA & S/Charged)	A132J0263S	2
05b	Pad, brake		MY10,11 Auto NA	A132J0213F	1
05c	Pad, brake	To be confirmed	MY12, Auto (NA & S/Charged)		
06	Pad, throttle pedal, RHD		MY10,11	A120J0108H	1
06a	Pad, throttle pedal, LHD		MY10,11	A132J0133H	1
06b	Pad, throttle pedal		MY12	A132J0264S	1
07	Switch, brake			A116J6034F	1
08	Bearing, flanged			A132J6008H	4
09	Shaft, pedal pivot			A132J0034H	1



Function Code 14.01 Pedal Box, Pedals, Throttle Control

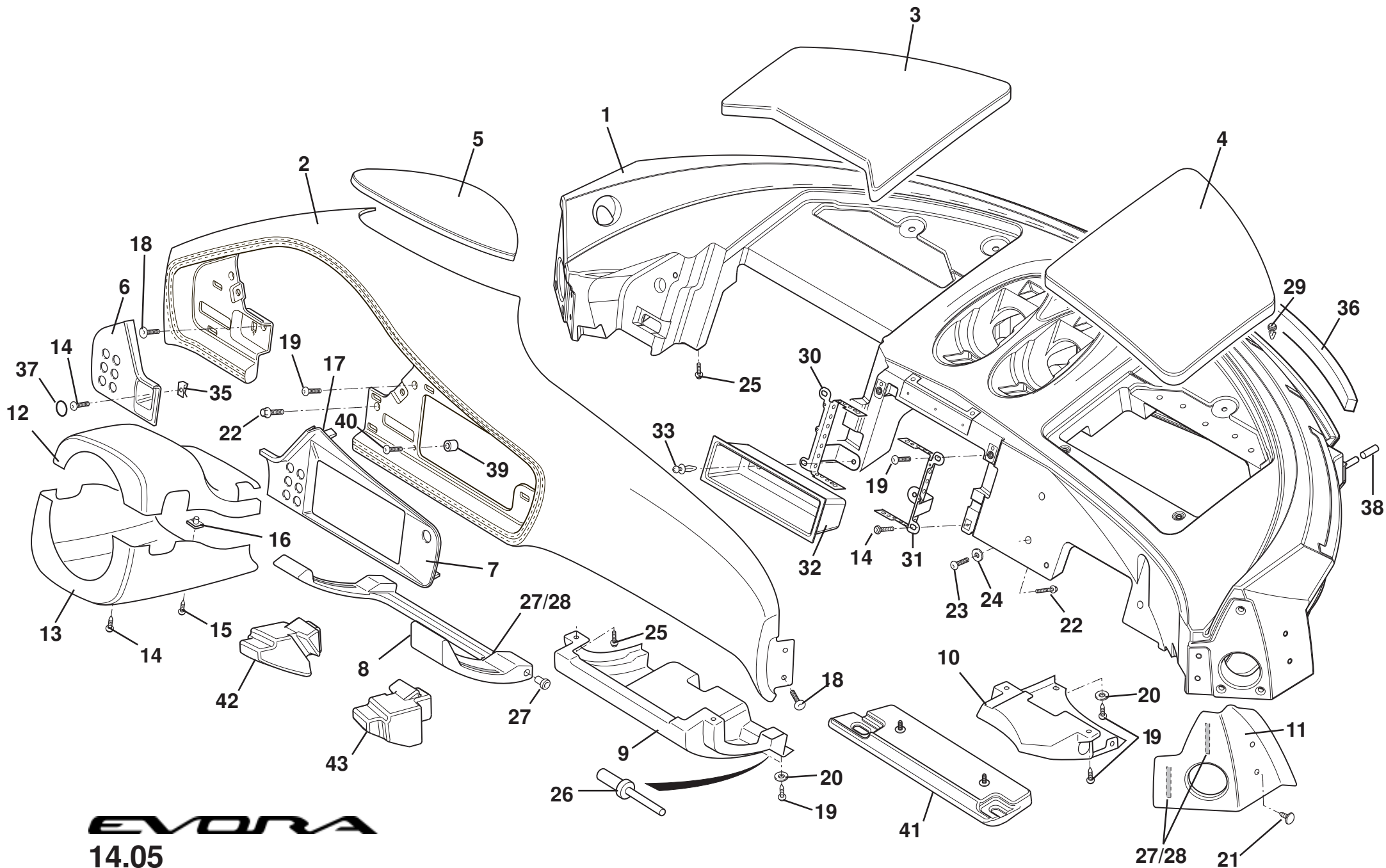
<u>Dep</u>	<u>Part Description</u>	<u>Remarks</u>	<u>Option</u>	<u>Part Number</u>	<u>Qty</u>
10	Spring, return brake pedal			A132J0060H	1
11	Over-centre Spring Assembly, clutch return			B132J0041H	1
12	Pop Rivet, pads to pedals			A075W6094Z	6
13	Screw, M8 x 45, flg. hd., throttle assy. to pedal box			A132J6028H	3
14	Potentiometer, clutch			A132J0107H	1
15	Screw, M4 x 10, skt. cap hd., potentiometer retaining			A132J6039H	1
16	Screw, M6 x 25, skt. cap hd., over centre spring retaining			A132J6033H	2
17	Washer, flat, M6, over centre spring retaining			A132J6027H	5
18	Nut, M6, over centre spring retaining			A132J6034H	2
19	Pad, clutch pedal downstop			A132J6055S	1
20	Driver Footrest, LHD, manual transmission			C132U0520F	1
20a	Driver Footrest, LHD, automatic transmission	Includes heel pad and carpet, see 15.30		B132U0662J	1
20b	Driver Footrest, RHD, manual & auto	Includes heel pad and carpet, see 15.30		B132U0660J	1
21	Double Sided Transfer Tape	Supplied in 1 meter lengths		A124B6007V	1
22	Passenger footrest	Not illustrated	USA	C132U0525F	1
23	Rivet	Not illustrated	USA	A132W6018F	1
24	Screw M6 x 20, csk tx ,shaft			A132J6040H	3
25	Driver High Footrest, LHD		MY12 non federal markets	A132A0320F	1
26	Rivet 3/16 lge flg		MY12 non federal markets	A089W6297	5



Function Code 14.01 Pedal Box, Pedals, Throttle Control

<u>Dep</u>	<u>Part Description</u>	<u>Remarks</u>	<u>Option</u>	<u>Part Number</u>	<u>Qty</u>
27	Clevis, brake booster			A132J6011F	1
28	Clevis Pin			A132J6012F	1
29	Clevis Clip			A132J6031F	1
30	Locknut M10			A075W3024F	1

*Not available order MY12
assembly & replace driver
footrest. Cars fitted with clutch
master cylinder without quick-fit
connection replace front pipe see
47.01



EVORA

14.05

Updated 22nd May 2012

Service Parts List

EVORA



Function Code 14.05 Fascia Structure & Supporting Hardware

<u>Dep</u>	<u>Part Description</u>	<u>Remarks</u>	<u>Option</u>	<u>Part Number</u>	<u>Qty</u>
01	Fascia Panel, trimmed, LHD, leather		Black	A132V4067J	1
01a	Fascia Panel, trimmed, RHD, leather		Black	A132V4068J	1
01b	Fascia Panel Set, RHD, leather	Includes items 01a,03a,04a,05 and order 4 x A132W6065F, 4x A079W6195F, 1 x A111V0206F and 2 airbag clips see 17.35	Black	A132V4426S	1
01c	Fascia Panel Set, LHD, leather	Includes items 01,03,04,05 and order 4 x A132W6065F, 4x A079W6195F, 1 x A111V0206F and 2 airbag clips see 17.35	Black	A132V4425S	1
01d	Fascia Panel, trimmed, LHD, leather		MY12, Ivory White	A132V5139S	1
01e	Fascia Panel, trimmed, RHD, leather		MY12, Ivory White	A132V5140S	1
01f	Fascia Panel, trimmed, LHD, leather		MY12, Venom Red	A132V5141S	1
01g	Fascia Panel, trimmed, RHD, leather		MY12, Venom Red	A132V5142S	1
01h	Fascia Panel, trimmed, LHD, leather		MY12, Ash Grey	A132V5143S	1
01j	Fascia Panel, trimmed, RHD, leather		MY12, Ash Grey	A132V5144S	1
01j	Fascia Panel, trimmed, LHD, leather		MY12, Cognac Brown	A132V5145S	1
01k	Fascia Panel, trimmed, RHD, leather		MY12, Cognac Brown	A132V5146S	1
01l	Fascia Panel, trimmed, LHD, leather		MY12, Cocoa Brown	A132V5147S	1
01m	Fascia Panel, trimmed, RHD, leather		MY12, Cocoa Brown	A132V5148S	1
01n	Fascia Panel, trimmed, LHD, leather		MY12, Imperial Blue	A132V5149S	1

EVORA

Function Code: 14.05, Page: 1

Updated 27th february 2013

Function Code 14.05 Fascia Structure & Supporting Hardware

<u>Dep</u>	<u>Part Description</u>	<u>Remarks</u>	<u>Option</u>	<u>Part Number</u>	<u>Qty</u>
01o	Fascia Panel, trimmed, RHD, leather		MY12, Imperial Blue	A132V5150S	1
02	Trim Panel, switch & instruments surround, LHD, leather		Black	A132V4069J	1
02a	Trim Panel, switch & instruments surround, RHD, leather		Black	A132V4070J	1
02b	Trim Panel, switch & instruments surround, LHD, leather		Pakrika	A132V4279S	1
02c	Trim Panel, switch & instruments surround, RHD, leather		Pakrika	A132V4280S	1
02d	Trim Panel, switch & instruments surround, LHD, leather		Oyster	A132V4281S	1
02e	Trim Panel, switch & instruments surround, RHD, leather		Oyster	A132V4282S	1
02f	Trim Panel, switch & instruments surround, LHD, leather		Graphite	A132V4283S	1
02g	Trim Panel, switch & instruments surround, RHD, leather		Graphite	A132V4284S	1
02h	Trim Panel, switch & instruments surround, LHD, leather		Chestnut	A132V4285S	1
02i	Trim Panel, switch & instruments surround, RHD, leather		Chestnut	A132V4286S	1
02j	Trim Panel, switch & instruments surround, LHD, leather		Cocobolo	A132V4451S	1
02k	Trim Panel, switch & instruments surround, RHD, leather		Cocobolo	A132V4452S	1
02l	Trim Panel, switch & instruments surround, LHD, leather		MY12, Ivory White	A132V4667S	1
02m	Trim Panel, switch & instruments surround, RHD, leather		MY12, Ivory White	A132V4668S	1
02n	Trim Panel, switch & instruments surround, LHD, leather		MY12, Venom Red	A132V4669S	1
02o	Trim Panel, switch & instruments surround, RHD, leather		MY12, Venom Red	A132V4670S	1
02p	Trim Panel, switch & instruments surround, LHD, leather		MY12, Ash Grey	A132V46710S	1
02q	Trim Panel, switch & instruments surround, RHD, leather		MY12, Ash Grey	A132V4672S	1
02r	Trim Panel, switch & instruments surround, LHD, leather		MY12, Cognac Brown	A132V4673S	1
02s	Trim Panel, switch & instruments surround, RHD, leather		MY12, Cognac Brown	A132V4674S	1



Function Code 14.05 Fascia Structure & Supporting Hardware

Dep	Part Description	Remarks	Option	Part Number	Qty
02t	Trim Panel, switch & instruments surround, LHD, leather		MY12, Cocoa Brown	A132V4675S	1
02u	Trim Panel, switch & instruments surround, RHD, leather		MY12, Cocoa Brown	A132V4676S	1
02v	Trim Panel, switch & instruments surround, LHD, leather		MY12, Imperial Blue	A132V4677S	1
02w	Trim Panel, switch & instruments surround, RHD, leather		MY12, Imperial Blue	A132V4678S	1
02x	Trim Panel, switch & instruments surround, LHD, suedetex		MY12, Suedetex Slate Grey	A132V4679S	1
02y	Trim Panel, switch & instruments surround, RHD, suedetex		MY12, Suedetex Slate Grey	A132V4680S	1
02z	Trim Panel, switch & instruments surround, LHD, leather	Red stitching	MY12, Black	A132V4681S	1
02az	Trim Panel, switch & instruments surround, , leatherRHD	Red stitching	MY12, Black	A132V4682S	1
02bz	Trim Panel, switch & instruments surround, LHD, leather	Black stitching	MY12, Venom Red	A132V4683S	1
02cz	Trim Panel, switch & instruments surround, RHD, leather	Black stitching	MY12, Venom Red	A132V4684S	1
02dz	Trim Panel, switch & instruments surround, LHD, leather	Black stitching	MY12, Imperial Blue	A132V4685S	1
02ez	Trim Panel, switch & instruments surround, RHD, leather	Black stitching	MY12, Imperial Blue	A132V4686S	1
02fz	Trim Panel, switch & instruments surround, LHD, leather	Black stitching	MY12, Cocoa Brown	A132V4687S	1
02gz	Trim Panel, switch & instruments surround, RHD, leather	Black stitching	MY12, Cocoa Brown	A132V4688S	1
02hz	Trim Panel, switch & instruments surround, LHD, suedetex	Red stitching	Suedetex Slate Grey	A132V4889S	1
02iz	Trim Panel, switch & instruments surround, RHD, suedetex	Red stitching	Suedetex Slate Grey	A132V4890S	1
03	Access Panel, fascia top, LHD, leather		Black	A132V4437J	1
03a	Access Panel, fascia top, RHD, leather		Black	A132V4438J	1
03b	Access Panel, fascia top, LHD, leather		MY12, Ivory White	A132V5151S	1
03c	Access Panel, fascia top, RHD, leather		MY12, Ivory White	A132V5152S	1
03d	Access Panel, fascia top, LHD, leather		MY12, Venom Red	A132V5153S	1



Function Code 14.05 Fascia Structure & Supporting Hardware

<u>Dep</u>	<u>Part Description</u>	<u>Remarks</u>	<u>Option</u>	<u>Part Number</u>	<u>Qty</u>
03e	Access Panel, fascia top, RHD, leather		MY12, Venom Red	A132V5154S	1
03f	Access Panel, fascia top, LHD, leather		MY12, Ash Grey	A132V5155S	1
03g	Access Panel, fascia top, RHD, leather		MY12, Ash Grey	A132V5156S	1
03h	Access Panel, fascia top, LHD, leather		MY12, Cognac Brown	A132V5157S	1
03i	Access Panel, fascia top, RHD, leather		MY12, Cognac Brown	A132V5158S	1
03j	Access Panel, fascia top, LHD, leather		MY12, Cocoa Brown	A132V5159S	1
03k	Access Panel, fascia top, RHD, leather		MY12, Cocoa Brown	A132V5160S	1
03l	Access Panel, fascia top, LHD, leather		MY12, Imperial Blue	A132V5161S	1
03m	Access Panel, fascia top, RHD, leather		MY12, Imperial Blue	A132V5162S	1
04	Cover Assembly, passenger airbag, LHD, leather	Also see 17.35	Black	A132U4247J	1
04a	Cover Assembly, passenger airbag, RHD, leather	Also see 17.35	Black	A132U4248J	1
04b	Cover Assembly, passenger airbag, LHD, leather		MY12, Ivory White	A132V5163S	1
04c	Cover Assembly, passenger airbag, RHD, leather		MY12, Ivory White	A132V5164S	1
04d	Cover Assembly, passenger airbag, LHD, leather		MY12, Venom Red	A132V5165S	1
04e	Cover Assembly, passenger airbag, RHD, leather		MY12, Venom Red	A132V5166S	1
04f	Cover Assembly, passenger airbag, LHD, leather		MY12, Ash Grey	A132V5167S	1
04g	Cover Assembly, passenger airbag, RHD, leather		MY12, Ash Grey	A132V5168S	1
04h	Cover Assembly, passenger airbag, LHD, leather		MY12, Cognac Brown	A132V5169S	1
04i	Cover Assembly, passenger airbag, RHD, leather		MY12, Cognac Brown	A132V5170S	1
04j	Cover Assembly, passenger airbag, LHD, leather		MY12, Cocoa Brown	A132V5171S	1
04k	Cover Assembly, passenger airbag, RHD, leather		MY12, Cocoa Brown	A132V5172S	1



Function Code 14.05 Fascia Structure & Supporting Hardware

<u>Dep</u>	<u>Part Description</u>	<u>Remarks</u>	<u>Option</u>	<u>Part Number</u>	<u>Qty</u>
04l	Cover Assembly, passenger airbag, LHD, leather		MY12, Imperial Blue	A132V5173S	1
04m	Cover Assembly, passenger airbag, RHD, leather		MY12, Imperial Blue	A132V5174S	1
05	Access Panel, trimmed, instrument shroud, leather	Common	Black	A132V0069J	1
05a	Access Panel, trimmed, instrument shroud, leather		MY12, Ivory White	A132V0925S	1
05b	Access Panel, trimmed, instrument shroud, leather		MY12, Venom Red	A132V0926S	1
05c	Access Panel, trimmed, instrument shroud, leather		MY12, Ash Grey	A132V0927S	1
05d	Access Panel, trimmed, instrument shroud, leather		MY12, Cognac Brown	A132V0928S	1
05e	Access Panel, trimmed, instrument shroud, leather		MY12, Cocoa Brown	A132V0929S	1
05f	Access Panel, trimmed, instrument shroud, leather		MY12, Imperial Blue	A132V0930S	1
06	Switch Panel, LH, LHD, brushed aluminium			C132V4095F	1
06a	Switch Panel, LH, RHD, brushed aluminium			C132V4096F	1
06b	Switch Panel, LH, LHD, black		MY12 option	A132U4531F	1
06c	Switch Panel, LH, RHD, black		MY12 option	A132U4532F	1
07	Switch Panel, RH, LHD, brushed aluminium			A132V4091F	1
07a	Switch Panel, RH, RHD, brushed aluminium			A132V4092F	1
07b	Switch Panel, RH, LHD, black		MY12 option	A132U4527F	1
07c	Switch Panel, RH, RHD, black		MY12 option	A132U4528F	1
08	Infill Panel, steering column, LHD, cloth			A132V4577S	1
08b	Infill Panel, steering column, LHD, leather		Black	A132V4071J	1
08b	Infill Panel, steering column, LHD, cloth		USA	A132V0495S	1
08c	Infill Panel, steering column, RHD, leather		Black	A132V4072J	1



Function Code 14.05 Fascia Structure & Supporting Hardware

<u>Dep</u>	<u>Part Description</u>	<u>Remarks</u>	<u>Option</u>	<u>Part Number</u>	<u>Qty</u>
08d	Infill Panel, steering column, RHD, cloth			A132V4578S	1
08e	Infill Panel, steering column, LHD, leather		Black, USA	A132V0298J	1
08f	Infill Panel, steering column, LHD, leather		MY12, Ivory White	A132V5175S	1
08g	Infill Panel, steering column, RHD, leather		MY12, Ivory White	A132V5176S	1
08h	Infill Panel, steering column, LHD, leather		MY12, Ivory White, USA/Canada	A132V0932S	1
08i	Infill Panel, steering column, LHD, leather		MY12, Venom Red	A132V5177S	1
08j	Infill Panel, steering column, RHD, leather		MY12, Venom Red	A132V5178S	1
08k	Infill Panel, steering column, LHD, leather		MY12, Venom Red, USA/Canada	A132V0933S	1
08l	Infill Panel, steering column, LHD, leather		MY12, Ash Grey	A132V5179S	1
08m	Infill Panel, steering column, RHD, leather		MY12, Ash Grey	A132V5180S	1
08n	Infill Panel, steering column, LHD, leather		MY12, Ash Grey, USA/Canada	A132V0934S	1
08o	Infill Panel, steering column, LHD, leather		MY12, Cognac Brown	A132V5181S	1
08p	Infill Panel, steering column, RHD, leather		MY12, Cognac Brown	A132V5182S	1
08q	Infill Panel, steering column, LHD, leather		MY12, Cognac Brown, USA/Canada	A132V0935S	1
08r	Infill Panel, steering column, LHD, leather		MY12, Cocoa Brown	A132V5183S	1
08s	Infill Panel, steering column, RHD, leather		MY12, Cocoa Brown	A132V5184S	1
08t	Infill Panel, steering column, LHD, leather		MY12, Cocoa Brown, USA/Canada	A132V0936S	1
08u	Infill Panel, steering column, LHD, leather		MY12, Imperial Blue	A132V5185S	1



Function Code 14.05 Fascia Structure & Supporting Hardware

<u>Dep</u>	<u>Part Description</u>	<u>Remarks</u>	<u>Option</u>	<u>Part Number</u>	<u>Qty</u>
08v	Infill Panel, steering column, RHD, leather		MY12, Imperial Blue	A132V5186S	1
08w	Infill Panel, steering column, LHD, leather		MY12, Imperial Blue, USA/Canada	A132V0937S	1
09	Infill Panel, centre, cloth			A132V0494S	1
09a	Infill Panel, centre, leather		Black	A132V0265S	1
09b	Infill Panel, centre, leather		MY12, Ivory White	A132V0938S	1
09c	Infill Panel, centre, leather		MY12, Venom Red	A132V0939S	1
09d	Infill Panel, centre, leather		MY12, Ash Grey	A132V0940S	1
09e	Infill Panel, centre, leather		MY12, Cognac Brown	A132V0941S	1
09f	Infill Panel, centre, leather		MY12, Cocoa Brown	A132V0942S	1
09g	Infill Panel, centre, leather		MY12, Imperial Blue	A132V0943S	1
10	Infill Panel, RH, LHD, leather		Black	A132V4304S	1
10a	Infill Panel, LH, LHD, leather		Black	A132V4303S	1
10b	Infill Panel, RH, RHD, leather		Black	A132V4306S	1
10c	Infill Panel, LH, RHD, leather		Black	A132V4305S	1
10d	Infill Panel, RH, LHD, leather		Black, USA	A132V0978S	1
10e	Infill Panel, RH, LHD, leather		MY12, Ivory White	A132V5258S	1
10f	Infill Panel, LH, LHD, leather		MY12, Ivory White	A132V5257S	1
10g	Infill Panel, RH, RHD, leather		MY12, Ivory White	A132V5260S	1
10h	Infill Panel, LH, RHD, leather		MY12, Ivory White	A132V5258S	1



Function Code 14.05 Fascia Structure & Supporting Hardware

Dep	Part Description	Remarks	Option	Part Number	Qty
10i	Infill Panel, RH, LHD, leather		MY12, Ivory White, USA/Canada	A132V0944S	1
10j	Infill Panel, RH, LHD, leather		MY12, Venom Red	A132V5261S	1
10k	Infill Panel, LH, LHD, leather		MY12, Venom Red	A132V5262S	1
10l	Infill Panel, RH, RHD, leather		MY12, Venom Red	A132V5264S	1
10m	Infill Panel, LH, RHD, leather		MY12, Venom Red	A132V5263S	1
10n	Infill Panel, RH, LHD, leather		MY12, Venom Red, USA/Canada	A132V0945S	1
10o	Infill Panel, RH, LHD, leather		MY12, Ash Grey	A132V5266S	1
10p	Infill Panel, LH, LHD, leather		MY12, Ash Grey	A132V5265S	1
10q	Infill Panel, RH, RHD, leather		MY12, Ash Grey	A132V5268S	1
10r	Infill Panel, LH, RHD, leather		MY12, Ash Grey	A132V5267S	1
10s	Infill Panel, RH, LHD, leather		MY12, Ash Grey, USA/Canada	A132V0946S	1
10t	Infill Panel, RH, LHD, leather		MY12, Cognac Brown	A132V5270S	1
10u	Infill Panel, LH, LHD, leather		MY12, Cognac Brown	A132V5269S	1
10v	Infill Panel, RH, RHD, leather		MY12, Cognac Brown	A132V5272S	1
10w	Infill Panel, LH, RHD, leather		MY12, Cognac Brown	A132V5271S	1
10x	Infill Panel, RH, LHD, leather		MY12, Cognac Brown, USA/Canada	A132V0947S	1
10y	Infill Panel, RH, LHD, leather		MY12, Cocoa Brown	A132V5274S	1
10z	Infill Panel, LH, LHD, leather		MY12, Cocoa Brown	A132V5273S	1
10az	Infill Panel, RH, RHD, leather		MY12, Cocoa Brown	A132V5276S	1



Function Code 14.05 Fascia Structure & Supporting Hardware

<u>Dep</u>	<u>Part Description</u>	<u>Remarks</u>	<u>Option</u>	<u>Part Number</u>	<u>Qty</u>
10bz	Infill Panel, LH, RHD, leather		MY12, Cocoa Brown	A132V5275S	1
10cz	Infill Panel, RH, LHD, leather		MY12, Cocoa Brown, USA/Canada	A132V0948S	1
10dz	Infill Panel, RH, LHD, leather		MY12, Imperial Blue	A132V5278S	1
10ez	Infill Panel, LH, LHD, leather		MY12, Imperial Blue	A132V5277S	1
10fz	Infill Panel, RH, RHD, leather		MY12, Imperial Blue	A132V5280S	1
10gz	Infill Panel, LH, RHD, leather		MY12, Imperial Blue	A132V5279S	1
10hz	Infill Panel, RH, LHD, leather		MY12, Imperial Blue, USA/Canada	A132V0949S	1
11	Finisher Panel, RH, leather		Black	B132U5188F	1
11a	Finisher Panel, LH, leather		Black	B132U5187F	1
11b	Finisher Panel, RH, leather		MY12, Ivory White	A132V5190F	1
11c	Finisher Panel, LH, leather		MY12, Ivory White	B132U5189F	1
11d	Finisher Panel, RH, leather		MY12, Venom Red	A132V5192F	1
11e	Finisher Panel, LH, leather		MY12, Venom Red	A132V5191F	1
11f	Finisher Panel, RH, leather		MY12, Ash Grey	A132V5194F	1
11g	Finisher Panel, LH, leather		MY12, Ash Grey	A132V5193F	1
11h	Finisher Panel, RH, leather		MY12, Cognac Brown	A132V5196F	1
11i	Finisher Panel, LH, leather		MY12, Cognac Brown	A132V5195F	1
11j	Finisher Panel, RH, leather		MY12, Cocoa Brown	A132V5198F	1
11l	Finisher Panel, LH, leather		MY12, Cocoa Brown	A132V5197F	1



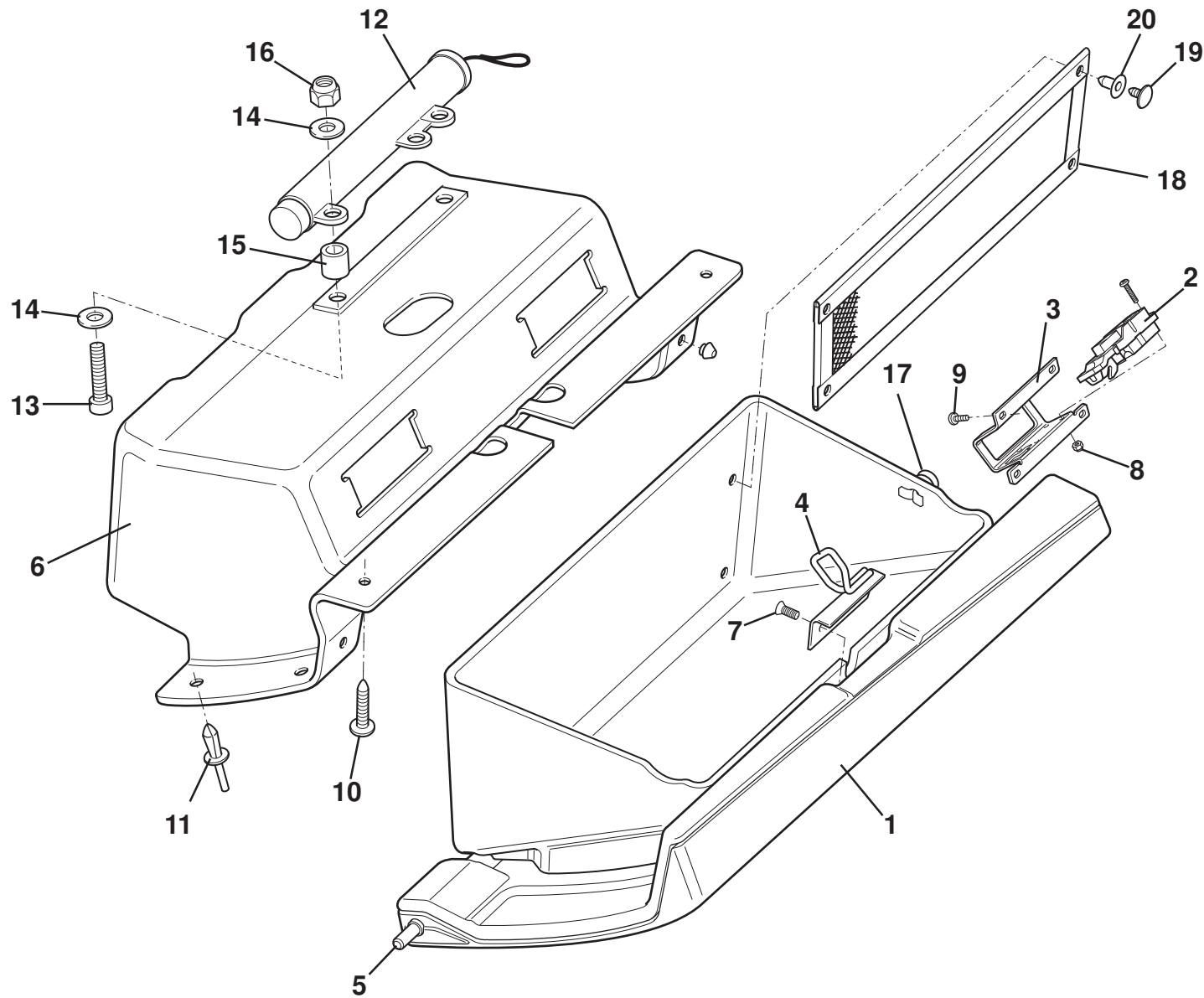
Function Code 14.05 Fascia Structure & Supporting Hardware

<u>Dep</u>	<u>Part Description</u>	<u>Remarks</u>	<u>Option</u>	<u>Part Number</u>	<u>Qty</u>
11m	Finisher Panel, RH, leather		MY12, Imperial Blue	A132V5200F	1
11n	Finisher Panel, LH, leather		MY12, Imperial Blue	A132V5190F	1
12	Shroud, steering column upper		A132U6000F R/B	A132U0708F	1
13	Shroud Assembly, steering column lower		A132U6001F R/B	A132U0710F	1
14	Screw, no. 8 x 0.5", flg. pozi. S/T, lower to upper shroud			A117W5250F	5
15	Screw M5x12 btn skt hd , lower shroud rear fix.			A132W5033F	1
16	Easy Boss, 50 x 3.5 x 12.0, rear lower shroud fixing			A124W3193F	1
17	Tower Clip, switch panel to trim panel			A132W6019F	4
18	Screw, M6 x 16, csk. skt. hd., trim panel to fascia			A918W7120F	5
19	Screw, M6 x 20, button hd. S/S black, panels fixing			A100W7096F	9
20	Washer, flat, M6 x 12.1 x 1.4, panels fixing			A075W4013Z	4
21	Firtree Fastener, finisher to fascia			A132W6065F	4
22	Screw, M6 x 30, hex. flg. hd., fascia to trim panel			A124W5294F	5
23	Screw, M8 x 20, button hd. black, fascia to chassis			A075W7022F	2
24	Washer, flat, M8 x 16.5 x 1.6 S/S, fascia to chassis			A111W4175F	2
25	Screw, M6 x 16, hex. flg. hd., fascia & infill fixing			A918W5208F	4
26	Pin, glovebox hinge			A132V0204F	3
27	Grip-lock, self adhesive, 20mm, hook, panels retention	Also for items 3, & 5		A111V6019V	As req.
28	Grip-lock, self adhesive, 20mm, loop, panels retention	Also for items 3, & 5		A111V6020V	As req.
29	Clip, cover to panel	Also see 17.35		B121U0117F	4
30	Radio/Pocket support Bracket, LH		Single Din Radio	A132V4209F	1



Function Code 14.05 Fascia Structure & Supporting Hardware

<u>Dep</u>	<u>Part Description</u>	<u>Remarks</u>	<u>Option</u>	<u>Part Number</u>	<u>Qty</u>
30a	Radio/Pocket support Bracket, LH	Not illustrated	Double Din Radio	A132V4205F	1
31	Radio/Pocket support Bracket, RH		Single Din Radio	A132V4210F	1
31a	Radio/Pocket support Bracket, RH	Not illustrated	Double Din Radio	A132V4206F	1
32	Stowage Pocket		Single Din Radio	A132V0200F	1
33	Fastner			A116U0201F	2
34	Decal Door Cheater			A116B0399F	1
35	Spire Nut no. 8			A075W6016F	1
36	Foam strip	Need to order quantity of 2 for full with. Qty1 = 1 meter		A132U6063V	2
37	Blanking Patch			A111V0206F	1
38	Flexible Cap, black			A132W6066F	3
39	Spacer, nylon			A117W6721F	1
40	Screw no. 6 x 1 flg pozi			A082W5022F	1
41	Knee Bolster Passenger		Black, USA/Canada	A132V0299J	1
42	Knee Bolster Foam Driver LH		USA/Canada	A132V4321F	1
43	Knee Bolster Foam Driver RH		USA/Canada	A132V4322F	1



EVORA

14.12

Updated 16th July 2012

Service Parts List



Function Code 14.12 Passenger Fascia: Glovebox Assembly

<u>Dep</u>	<u>Part Description</u>	<u>Remarks</u>	<u>Option</u>	<u>Part Number</u>	<u>Qty</u>
01	Glovebox Assembly, LHD, cloth			A132V4579S	1
01a	Glovebox Assembly, LHD, cloth, fed		USA/Canada	A132V0950S	1
01b	Glovebox Assembly, LHD, leather		Black	A132V4073J	1
01c	Glovebox Assembly, LHD, fed, leather		Black USA/Canada	A132V0295J	1
01d	Glovebox Assembly, RHD, cloth			A132V4580S	1
01e	Glovebox Assembly, RHD, leather		Black	B132V4074J	1
01f	Glovebox Assembly, LHD, leather		MY12 ivory white	A132V4983S	1
01g	Glovebox Assembly, LHD, fed, leather		MY12 ivory white USA/Canada	A132V0951S	1
01h	Glovebox Assembly, RHD, leather		MY12 ivory white	A132V4984S	1
01i	Glovebox Assembly, LHD, leather		MY12, Venom Red	A132V4985S	1
01j	Glovebox Assembly, LHD, fed, leather		MY12, Venom Red USA/Canada	A132V0952S	1
01k	Glovebox Assembly, RHD, leather		MY12, Venom Red	A132V4986S	1
01l	Glovebox Assembly, LHD, leather		MY12, Ash Grey	A132V4987S	1
01m	Glovebox Assembly, LHD, fed, leather		MY12, Ash Grey USA/Canada	A132V0953S	1
01n	Glovebox Assembly, RHD, leather		MY12, Ash Grey	A132V4988S	1
01o	Glovebox Assembly, LHD, leather		MY12, Cognac Brown	A132V4989S	1
01p	Glovebox Assembly, LHD, fed, leather		MY12, Cognac Brown USA/Canada	A132V0954S	1



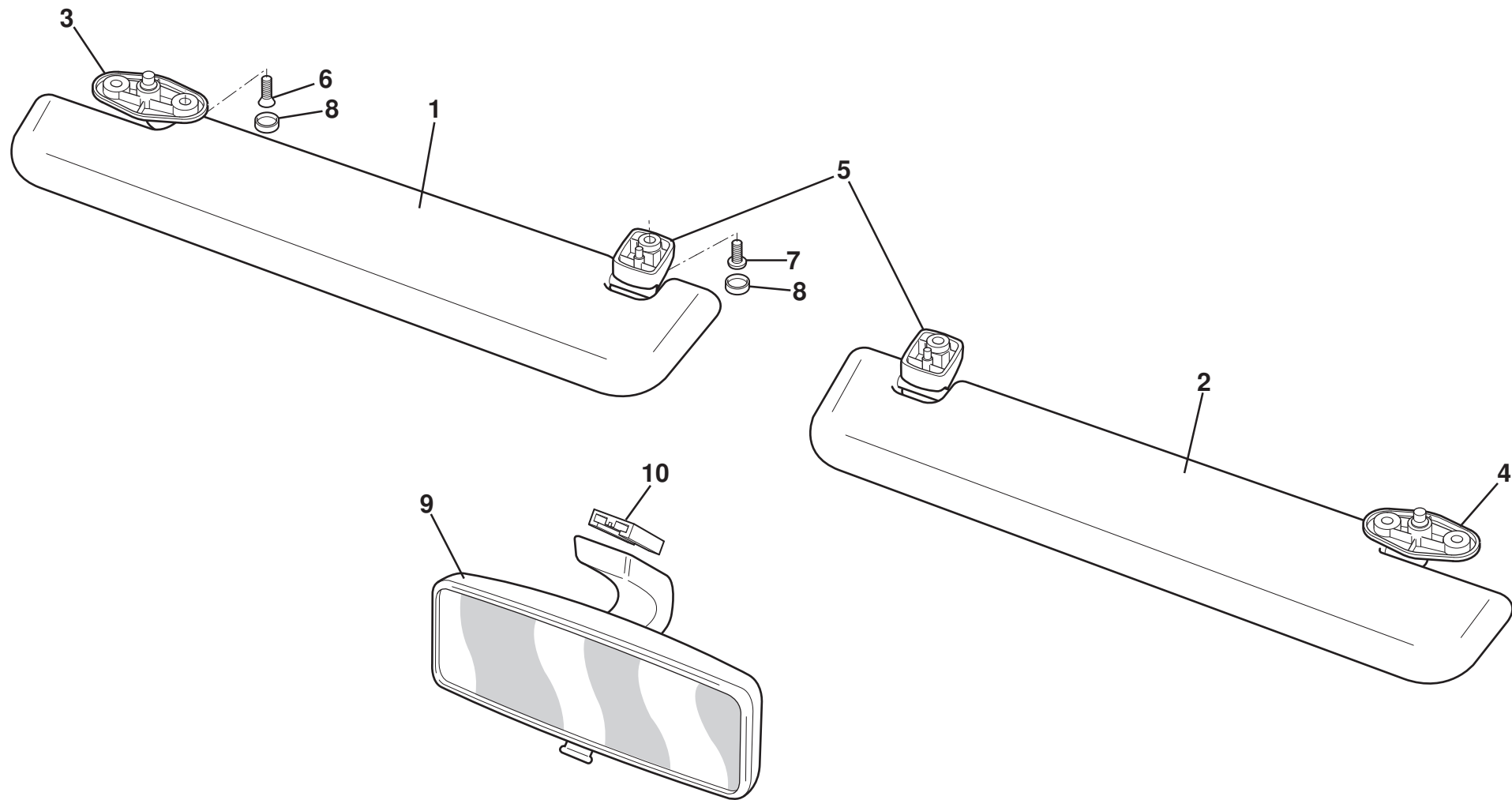
Function Code 14.12 Passenger Fascia: Glovebox Assembly

<u>Dep</u>	<u>Part Description</u>	<u>Remarks</u>	<u>Option</u>	<u>Part Number</u>	<u>Qty</u>
01q	Glovebox Assembly, RHD, leather		MY12, Cognac Brown	A132V4990S	1
01r	Glovebox Assembly, LHD, leather		MY12, Cocoa Brown	A132V4991S	1
01s	Glovebox Assembly, LHD, fed, leather		MY12, Cocoa Brown USA/Canada	A132V0955S	1
01t	Glovebox Assembly, RHD, leather		MY12, Cocoa Brown	A132V4992S	1
01u	Glovebox Assembly, LHD, leather		MY12, Imperial Blue	A132V4993S	1
01v	Glovebox Assembly, LHD, fed, leather		MY12, Imperial Blue USA/Canada	A132V0956S	1
01w	Glovebox Assembly, RHD, leather		MY12, Imperial Blue	A132V4994S	1
02	Latch Actuator, glovebox release			A132M6089F	1
03	Bracket, latch mounting, LHD			A132V4159F	1
03a	Bracket, latch mounting, RHD			A132V4160F	2
04	Striker, glovebox			A132V0153F	2
05	Pin, glovebox hinge			A132V0204F	2
06	Liner, inner glovebox			B132U0024F	1
07	Screw, M6 x 12, csk. hd., striker to glovebox			A100W1055F	2
08	Nyloc Nut, M5, latch to bracket			A100W3113F	4
09	Screw, bracket to fascia			A075W5088Z	4
10	Screw, No.6 x 1.0", flg. pozi. hd., liner to fascia			A082W5022F	2
11	Rokut Rivet, liner to fascia			A079W6195F	4
12	Damper, glovebox, grey			A132V6052F	1



Function Code 14.12 Passenger Fascia: Glovebox Assembly

<u>Dep</u>	<u>Part Description</u>	<u>Remarks</u>	<u>Option</u>	<u>Part Number</u>	<u>Qty</u>
12a	Damper, glovebox, red, federal		USA/Canada	A132V6009F	1
13	Screw, M5 x 25, cap hd., damper to liner			A132W7001F	2
14	Washer, flat, M5 x 10 x 0.8, damper to liner			A075W4011F	4
15	Spacer, damper to liner			A132W6039F	2
16	Nyloc Nut, M5, damper to liner			A100W3113F	2
17	Retaining Pin, glove box			A132V6071S	1
18	Stowage Net			A132V0233F	1
19	Fastner Button			A111B6074F	4
20	Fastner Socket			A111B6075F	4



EVORA
15.05

Service Parts List

EVORA



Function Code 15.05 Interior Driving Mirror & Sunvisors

<u>Dep</u>	<u>Part Description</u>	<u>Remarks</u>	<u>Option</u>	<u>Part Number</u>	<u>Qty</u>
01	Sunvisor Assembly, biege, LH, RHD, Euro	With warning labels C132U0315F x2	Euro/ROW	A132V4367S	1
01a	Sunvisor Assembly, grey, LH, RHD, Euro	With warning labels C132U0315F x2	Euro/ROW	A132V4371S	1
01b	Sunvisor Assembly, biege, LH, Euro	No warning labels	Euro/ROW	B132V4039J	1
01c	Sunvisor Assembly, grey, LH, Euro	No warning labels	Euro/ROW	B132V4145J	1
01d	Sunvisor Assembly, biege, LH, federal	With warning labels A132U0548F/49F	USA	A132V4377S	1
01e	Sunvisor Assembly, grey, LH, federal	With warning labels A132U0548F/49F	USA	A132V4381S	1
01f	Sunvisor Assembly, biege, LH, LHD	With warning label A132U0573F	Canada	A132V4415S	1
01g	Sunvisor Assembly, grey, LH, LHD	With warning label A132U0573F	Canada	A132V4417S	1
01h	Sunvisor Assembly, biege, LH, LHD	With warning label A132U0569F	GCC	A132V4419S	1
01i	Sunvisor Assembly, grey, LH, LHD	With warning label A132U0569F	GCC	A132V4421S	1
01j	Sunvisor Assembly, dark grey, LH	To be confirmed	MY12	A132V4467J	1
01k	Sunvisor Assembly, dark grey, LH, LHD, Euro	With warning labels C132U0315F x2	MY12, Euro/ROW	A132V4659S	1
01l	Sunvisor Assembly, dark grey, LH, federal	With warning labels A132U0548F/49F	MY12, USA	A132V4661S	1
01m	Sunvisor Assembly, dark grey, LH, LHD	With warning label A132U0573F	MY12, Canada	A132V4663S	1
01n	Sunvisor Assembly, dark grey, LH, LHD	With warning label A132U0569F	MY12, GCC	A132V4665S	1

EVORA

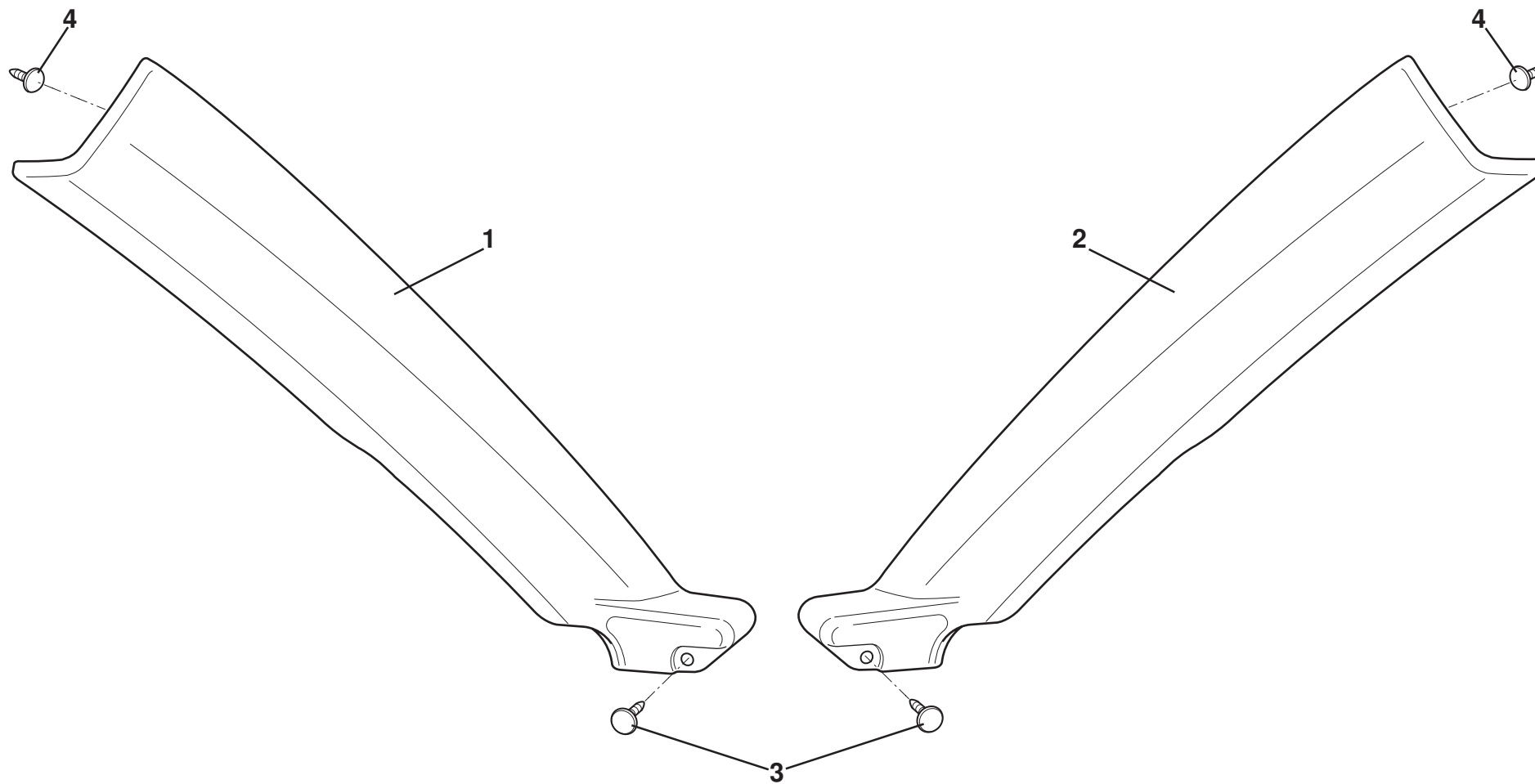
Function Code 15.05 Interior Driving Mirror & Sunvisors

<u>Dep</u>	<u>Part Description</u>	<u>Remarks</u>	<u>Option</u>	<u>Part Number</u>	<u>Qty</u>
02	Sunvisor Assembly, biege, RH, Euro	No warning labels	Euro/ROW	B132V4040J	1
02a	Sunvisor Assembly, grey, RH, Euro	No warning labels	Euro/ROW	B132V4146J	1
02b	Sunvisor Assembly, biege, RH, LHD, Euro	With warning labels C132U0315F x2	Euro/ROW	A132V4373S	1
02c	Sunvisor Assembly, grey, RH, LHD, Euro	With warning labels C132U0315F x2	Euro/ROW	A132V4375S	1
02d	Sunvisor Assembly, biege, RH, federal	With warning labels A132U0548F/49F	USA/Canada	A132V4379S	1
02e	Sunvisor Assembly, grey, RH, federal	With warning labels A132U0548F/49F	USA/Canada	A132V4383S	1
2f	Sunvisor Assembly, biege, RH, LHD	With warning label A132U0573F	Canada	A132V4416S	1
2g	Sunvisor Assembly, grey, RH, LHD	With warning label A132U0573F	Canada	A132V4418S	1
2h	Sunvisor Assembly, biege, RH, LHD	With warning label A132U0569F	GCC	A132V4420S	1
2i	Sunvisor Assembly, grey, RH, LHD	With warning label A132U0569F	GCC	A132V4422S	1
02j	Sunvisor Assembly, dark grey, RH	To be confirmed	MY12	A132V4468J	1
02k	Sunvisor Assembly, dark grey, RH, LHD, Euro	With warning labels C132U0315F x2	MY12, Euro/ROW	A132V4659S	1
02l	Sunvisor Assembly, dark grey, RH,federal	With warning labels A132U0548F/49F	MY12, USA	A132V4660S	1
02m	Sunvisor Assembly, dark grey, RH, LHD	With warning label A132U0573F	MY12, Canada	A132V4662S	1
02n	Sunvisor Assembly, dark grey, RH, LHD	With warning label A132U0569F	MY12, GCC	A132V4664S	1
03	Pivot, visor outboard, beige, LH			A132V6005F	1
03a	Pivot, visor outboard, grey, LH			A132V6019F	1



Function Code 15.05 Interior Driving Mirror & Sunvisors

<u>Dep</u>	<u>Part Description</u>	<u>Remarks</u>	<u>Option</u>	<u>Part Number</u>	<u>Qty</u>
03b	Pivot, visor outboard, dark grey, LH		MY12	A132V6082F	1
04	Pivot, visor outboard, beige, RH			A132V6006F	1
04a	Pivot, visor outboard, grey, RH			A132V6020F	1
04b	Pivot, visor outboard, black, RH		MY12	A132V6083F	1
05	Clip, visor retaining inboard, beige			A132V6003F	2
05a	Clip, visor retaining inboard, grey			A132V6018F	2
05b	Clip, visor retaining inboard, black		MY12	A132V6079F	2
06	Screw, M5 x 16, csk. pozi., visor pivot fixing			A132W5029F	4
07	Screw, M5 x 16, pan pozi. hd., clip fixing			A082W5107F	2
08	Blanking Plug, beige			A132V6007F	6
08a	Blanking Plug, grey			A132V6021F	6
08b	Blanking Plug, black		MY12	A132V6081F	6
09	Mirror, interior rear view, 22 cm wide			A120U6009F	1
10	Mounting Plinth, interior mirror			A120U6010F	1



EVORA

15.07

2009/02

Service Parts List

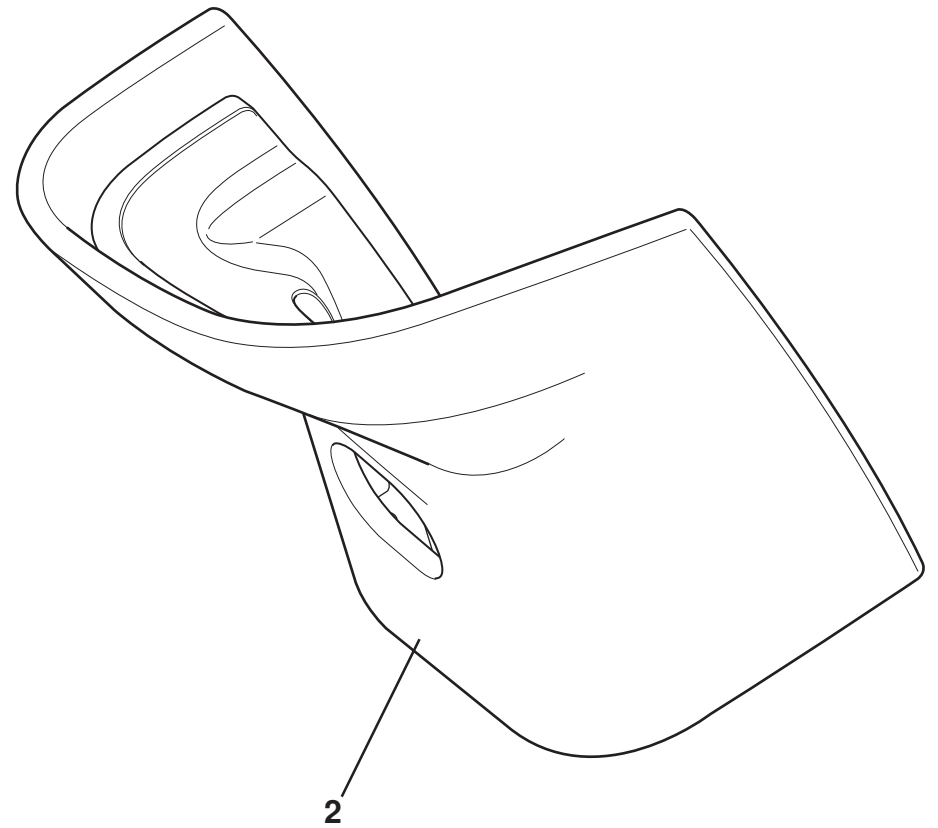
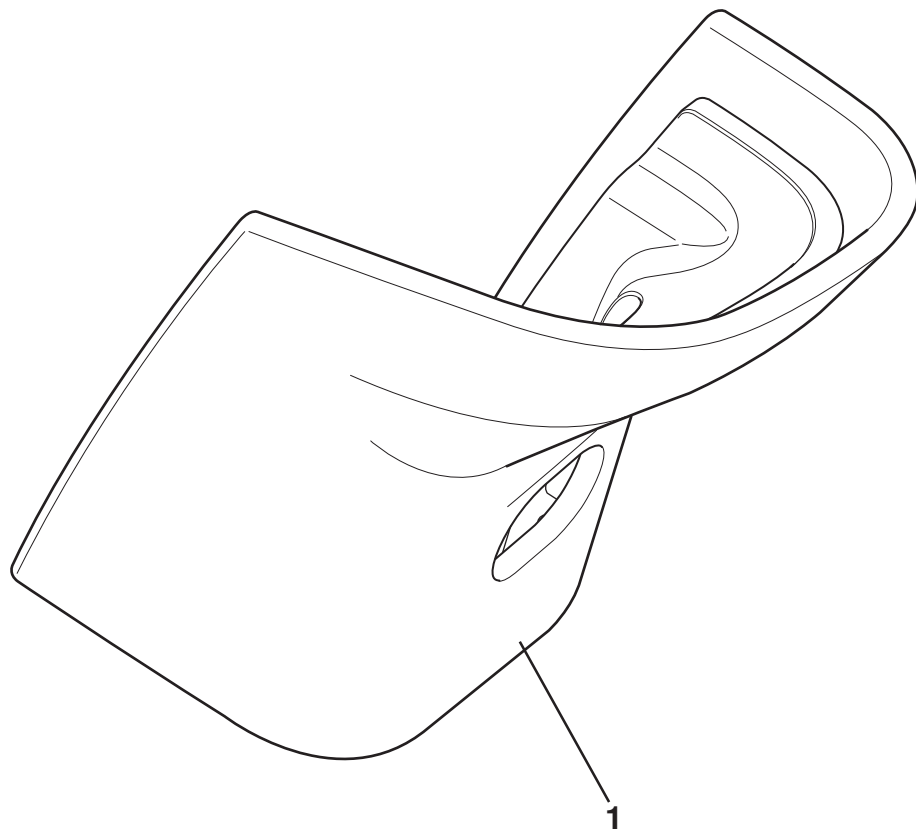
EVORA



Function Code 15.07 'A' Pillar Interior Trim

<u>Dep</u>	<u>Part Description</u>	<u>Remarks</u>	<u>Option</u>	<u>Part Number</u>	<u>Qty</u>
01	'A' Pillar Trim, beige, LH			D132U4245F	1
01a	'A' Pillar Trim, grey, LH			D132V4141F	1
01b	'A' Pillar Trim, dark grey, LH		MY12	A132V4461F	1
02	'A' Pillar Trim, beige, RH			D132U4246F	1
02a	'A' Pillar Trim, grey, RH			D132V4142F	1
02b	'A' Pillar Trim, dark grey, RH		MY12	A132V4462F	1
03	Fir Tree Fastener, button hd., black			A132W6006F	2
04	Fir Tree Fastener, button hd.			A116U0200F	4

EVORA



EVORA

15.09

2009/02

Service Parts List

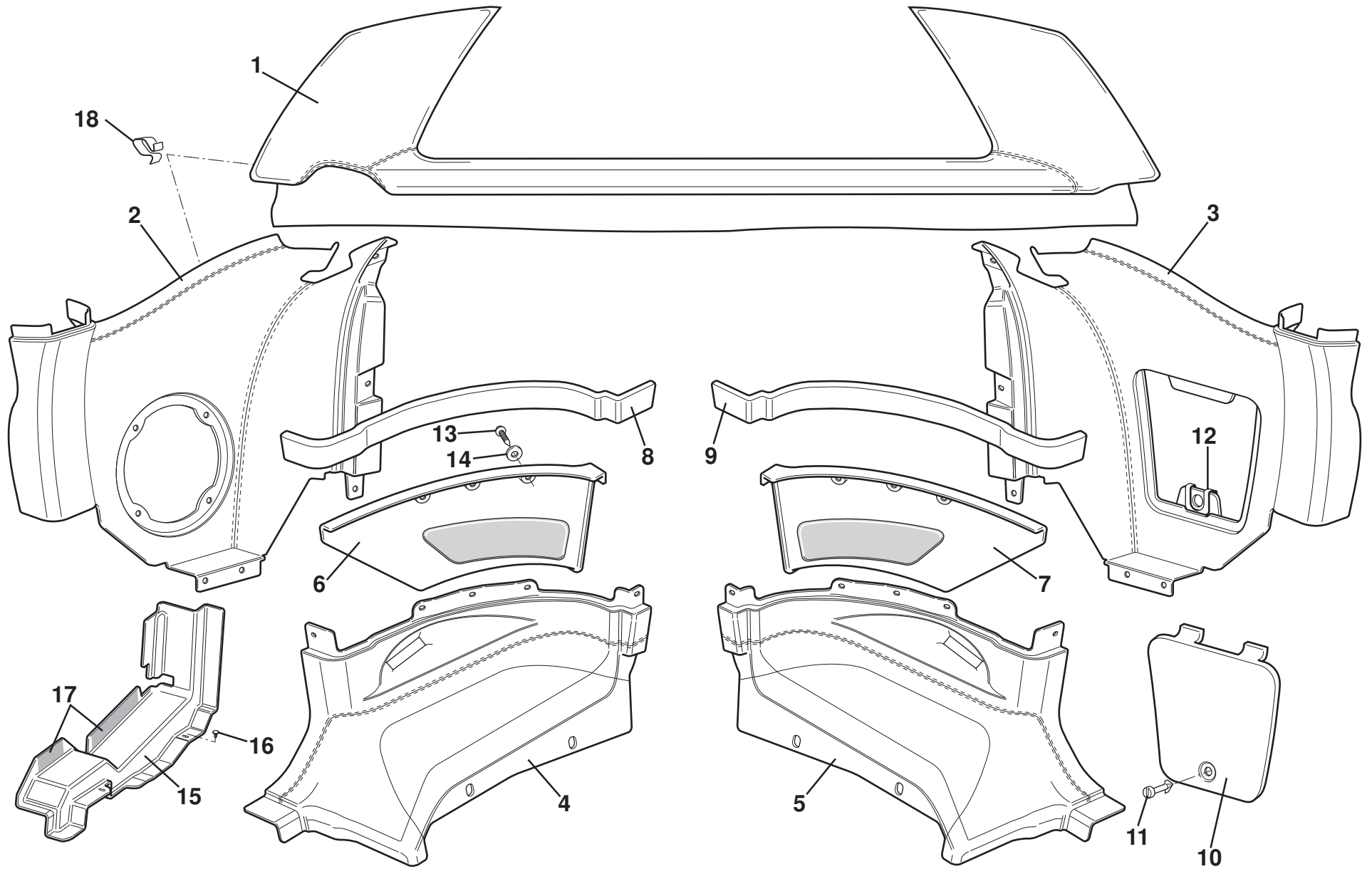
EVORA



Function Code 15.09 'B' & 'C' Pillar Interior Trim.

<u>Dep</u>	<u>Part Description</u>	<u>Remarks</u>	<u>Option</u>	<u>Part Number</u>	<u>Qty</u>
01	'B' Pillar Trim, beige, LH			B132U4051F	1
01a	'B' Pillar Trim, grey, LH			B132V4143F	1
01b	'B' Pillar Trim, dark grey, LH		MY12	A132V4463F	1
02	'B' Pillar Trim, beige, RH			B132U4052F	1
02a	'B' Pillar Trim, grey, RH			B132V4144F	1
02b	'B' Pillar Trim, dark grey, RH		MY12	A132V4464F	1

EVORA



EVORA
15.11

Updated 21st March 2011

Service Parts List

EVORA



Function Code 15.11 Interior Trim & Stowage Provision

<u>Dep</u>	<u>Part Description</u>	<u>Remarks</u>	<u>Option</u>	<u>Part Number</u>	<u>Qty</u>
01	Rear Bulkead Trim Panel Assembly, leather		Black	A132V0050J	1
01a	Rear Bulkead Trim Panel Assembly, leather		MY12, ivory white	A132V0639S	1
01b	Rear Bulkead Trim Panel Assembly, leather		MY12, venom red	A132V0640S	1
01c	Rear Bulkead Trim Panel Assembly, leather		MY12, ash gray	A132V0641S	1
01d	Rear Bulkead Trim Panel Assembly, leather		MY12, cognac brown	A132V0642S	1
01e	Rear Bulkead Trim Panel Assembly, leather		MY12, cocoa brown	A132V0643S	1
01f	Rear Bulkead Trim Panel Assembly, leather		MY12, imperial blue	A132V0644S	1
02	Trim Panel, rear quarter upper,leather RH		Black	A132V4266S	1
02a	Trim Panel, rear quarter upper, 2 + 0,leather RH	Not illustrated, 2 seat only	Black	A132V4387S	1
02b	Trim Panel, rear quarter upper,leather RH		MY12, ivory white	A132V4692S	1
02c	Trim Panel, rear quarter upper, 2 + 0,leather RH	Not illustrated, 2 seat only	MY12, ivory white	A132V4748S	1
02d	Trim Panel, rear quarter upper,leather RH		MY12, venom red	A132V4694S	1
02e	Trim Panel, rear quarter upper, 2 + 0,leather RH	Not illustrated, 2 seat only	MY12, venom red	A132V4750S	1
02f	Trim Panel, rear quarter upper,leather RH		MY12, ash gray	A132V4696S	1
02g	Trim Panel, rear quarter upper, 2 + 0,leather RH	Not illustrated, 2 seat only	MY12, ash gray	A132V4752S	1
02h	Trim Panel, rear quarter upper,leather RH		MY12, cognac brown	A132V4698S	1
02i	Trim Panel, rear quarter upper, 2 + 0,leather RH	Not illustrated, 2 seat only	MY12, cognac brown	A132V4754S	1
02j	Trim Panel, rear quarter upper,leather RH		MY12, cocoa brown	A132V4700S	1

EVORA

Function Code: 15.11, Page: 1

Updated 16th July 2012

Function Code 15.11 Interior Trim & Stowage Provision

<u>Dep</u>	<u>Part Description</u>	<u>Remarks</u>	<u>Option</u>	<u>Part Number</u>	<u>Qty</u>
02k	Trim Panel, rear quarter upper, 2 + 0,leather RH	Not illustrated, 2 seat only	MY12, cocoa brown	A132V4756S	1
02l	Trim Panel, rear quarter upper,leather RH		MY12, imperial blue	A132V4702S	1
02m	Trim Panel, rear quarter upper, 2 + 0,leather RH	Not illustrated, 2 seat only	MY12, imperial blue	A132V4758S	1
02n	Trim Panel, rear quarter upper,leather RH	Red stitching	MY12, black	A132V4704S	1
02o	Trim Panel, rear quarter upper, 2 + 0,leather RH	Not illustrated, 2 seat only, Red stitching	MY12, black	A132V4760S	1
02p	Trim Panel, rear quarter upper,leather RH	Black stitching	MY12, venom red	A132V4706S	1
02q	Trim Panel, rear quarter upper, 2 + 0,leather RH	Not illustrated, 2 seat only, Black stitching	MY12, venom red	A132V4762S	1
02r	Trim Panel, rear quarter upper,leather RH	Black stitching	MY12, cocoa brown	A132V4708S	1
02s	Trim Panel, rear quarter upper, 2 + 0,leather RH	Not illustrated, 2 seat only, Black stitching	MY12, cocoa brown	A132V4764S	1
02t	Trim Panel, rear quarter upper,leather RH	Black stitching	MY12, imperial blue	A132V4710S	1
02u	Trim Panel, rear quarter upper, 2 + 0,leather RH	Not illustrated, 2 seat only, Black stitching	MY12, imperial blue	A132V4766S	1
03	Trim Panel, rear quarter upper, LH		Black	A132V4265S	1
03a	Trim Panel, rear quarter upper, 2 + 0, LH	Not illustrated, 2 seat only	Black	A132V4385S	1
03b	Trim Panel, rear quarter upper,leather LH		MY12, ivory white	A132V4691S	1
03c	Trim Panel, rear quarter upper,leather 2 + 0, LH	Not illustrated, 2 seat only	MY12, ivory white	A132V4747S	1
03d	Trim Panel, rear quarter upper,leather LH		MY12, venom red	A132V4693S	1
03e	Trim Panel, rear quarter upper,leather 2 + 0, LH	Not illustrated, 2 seat only	MY12, venom red	A132V4749S	1
03f	Trim Panel, rear quarter upper,leather LH		MY12, ash gray	A132V4695S	1



Function Code 15.11 Interior Trim & Stowage Provision

<u>Dep</u>	<u>Part Description</u>	<u>Remarks</u>	<u>Option</u>	<u>Part Number</u>	<u>Qty</u>
03g	Trim Panel, rear quarter upper,leather 2 + 0, LH	Not illustrated, 2 seat only	MY12, ash gray	A132V4751S	1
03h	Trim Panel, rear quarter upper,leather LH		MY12, cognac brown	A132V4697S	1
03i	Trim Panel, rear quarter upper,leather 2 + 0, LH	Not illustrated, 2 seat only	MY12, cognac brown	A132V4753S	1
03j	Trim Panel, rear quarter upper,leather LH		MY12, cocoa brown	A132V4699S	1
03k	Trim Panel, rear quarter upper,leather 2 + 0, LH	Not illustrated, 2 seat only	MY12, cocoa brown	A132V4755S	1
03l	Trim Panel, rear quarter upper,leather LH		MY12, imperial blue	A132V4701S	1
03m	Trim Panel, rear quarter upper,leather 2 + 0, LH	Not illustrated, 2 seat only	MY12, imperial blue	A132V4757S	1
03n	Trim Panel, rear quarter upper,leather LH	Red stitching	MY12, black	A132V4703S	1
03o	Trim Panel, rear quarter upper,leather 2 + 0, LH	Not illustrated, 2 seat only, Red stitching	MY12, black	A132V4759S	1
03p	Trim Panel, rear quarter upper,leather LH	Black stitching	MY12, venom red	A132V4705S	1
03q	Trim Panel, rear quarter upper,leather 2 + 0, LH	Not illustrated, 2 seat only, Black stitching	MY12, venom red	A132V4761S	1
03r	Trim Panel, rear quarter upper,leather LH	Black stitching	MY12, cocoa brown	A132V4707S	1
03s	Trim Panel, rear quarter upper,leather 2 + 0, LH	Not illustrated, 2 seat only, Black stitching	MY12, cocoa brown	A132V4763S	1
03t	Trim Panel, rear quarter upper,leather LH	Black stitching	MY12, imperial blue	A132V4709S	1
03u	Trim Panel, rear quarter upper,leather 2 + 0, LH	Not illustrated, 2 seat only, Black stitching	MY12, imperial blue	A132V4765S	1
04	Trim Panel, rear quarter lower, RH, cloth			A132V4581S	1
04a	Trim Panel, rear quarter lower, RH, leather		Black	A132V4268S	1
04b	Trim Panel, rear quarter lower,leather RH		MY12, ivory white	A132V4712S	1



Function Code 15.11 Interior Trim & Stowage Provision

<u>Dep</u>	<u>Part Description</u>	<u>Remarks</u>	<u>Option</u>	<u>Part Number</u>	<u>Qty</u>
04c	Trim Panel, rear quarter lower,leather RH		MY12, venom red	A132V4714S	1
04d	Trim Panel, rear quarter lower,leather RH		MY12, ash gray	A132V4716S	1
04e	Trim Panel, rear quarter lower,leather RH		MY12, cognac brown	A132V4718S	1
04f	Trim Panel, rear quarter lower,leather RH		MY12, cocoa brown	A132V4720S	1
04g	Trim Panel, rear quarter lower,leather RH		MY12, imperial blue	A132V4722S	1
04h	Trim Panel, rear quarter lower,leather RH	Red stitching	MY12, black	A132V4724S	1
04i	Trim Panel, rear quarter lower,leather RH	Black stitching	MY12, venom red	A132V4726S	1
04j	Trim Panel, rear quarter lower,leather RH	Black stitching	MY12, cocoa brown	A132V4728S	1
04k	Trim Panel, rear quarter lower,leather RH	Black stitching	MY12, imperial blue	A132V4730S	1
05	Trim Panel, rear quarter lower, LH, cloth			A132V4582S	1
05b	Trim Panel, rear quarter lower, leather LH		Black	A132V4267S	1
05c	Trim Panel, rear quarter lower, leather LH		MY12, ivory white	A132V4711S	1
05d	Trim Panel, rear quarter lower, leather LH		MY12, venom red	A132V4713S	1
05e	Trim Panel, rear quarter lower, leather LH		MY12, ash gray	A132V4715S	1
05f	Trim Panel, rear quarter lower, leather LH		MY12, cognac brown	A132V4717S	1
05g	Trim Panel, rear quarter lower, leather LH		MY12, cocoa brown	A132V4719S	1
05h	Trim Panel, rear quarter lower, leather LH		MY12, imperial blue	A132V4721S	1
05i	Trim Panel, rear quarter lower, leather LH	Red stitching	MY12, black	A132V4723S	1
05j	Trim Panel, rear quarter lower, leather LH	Black stitching	MY12, venom red	A132V4725S	1
05k	Trim Panel, rear quarter lower, leather LH	Black stitching	MY12, cocoa brown	A132V4727S	1
05l	Trim Panel, rear quarter lower, leather LH	Black stitching	MY12, cocoa brown	A132V47291S	1



Function Code 15.11 Interior Trim & Stowage Provision

<u>Dep</u>	<u>Part Description</u>	<u>Remarks</u>	<u>Option</u>	<u>Part Number</u>	<u>Qty</u>
06	Pocket Assembly, rear quarter panel, RH			A132V4150J	1
07	Pocket Assembly, rear quarter panel, LH			A132V4149J	1
08	Trim Finisher, rear quarter, leather, RH		Paprika	A132V4258S	1
08a	Trim Finisher, rear quarter, leather, RH		Oyster	A132V4260S	1
08b	Trim Finisher, rear quarter, leather, RH		Chestnut	A132V4262S	1
08c	Trim Finisher, rear quarter, leather, RH		Graphite	A132V4264S	1
08d	Trim Finisher, rear quarter, leather, RH		Cocobolo	A132V4454S	1
08e	Trim Finisher, rear quarter, leather, RH		MY12, black	A132V4732S	1
08f	Trim Finisher, rear quarter, leather, RH		MY12, ivory white	A132V4734S	1
08g	Trim Finisher, rear quarter, leather, RH		MY12, venom red	A132V4736S	1
08h	Trim Finisher, rear quarter, leather, RH		MY12, ash gray	A132V4738S	1
08i	Trim Finisher, rear quarter, leather, RH		MY12, cognac brown	A132V4740S	1
08j	Trim Finisher, rear quarter, leather, RH		MY12, cocoa brown	A132V4742S	1
08k	Trim Finisher, rear quarter, leather, RH		MY12, imperial blue	A132V4744S	1
08l	Trim Finisher, rear quarter, sluedetex, RH		MY12, suedetex slate grey	A132V4746S	1
09	Trim Finisher, rear quarter, leather, LH		Paprika	A132V4257S	1
09a	Trim Finisher, rear quarter, leather, LH		Oyster	A132V4259S	1
09b	Trim Finisher, rear quarter, leather, LH		Chestnut	A132V4261S	1
09c	Trim Finisher, rear quarter, leather, LH		Graphite	A132V4263S	1
09d	Trim Finisher, rear quarter, leather, LH		Cocobolo	A132V4453S	1
09e	Trim Finisher, rear quarter, leather, LH		MY12, black	A132V4732S	1



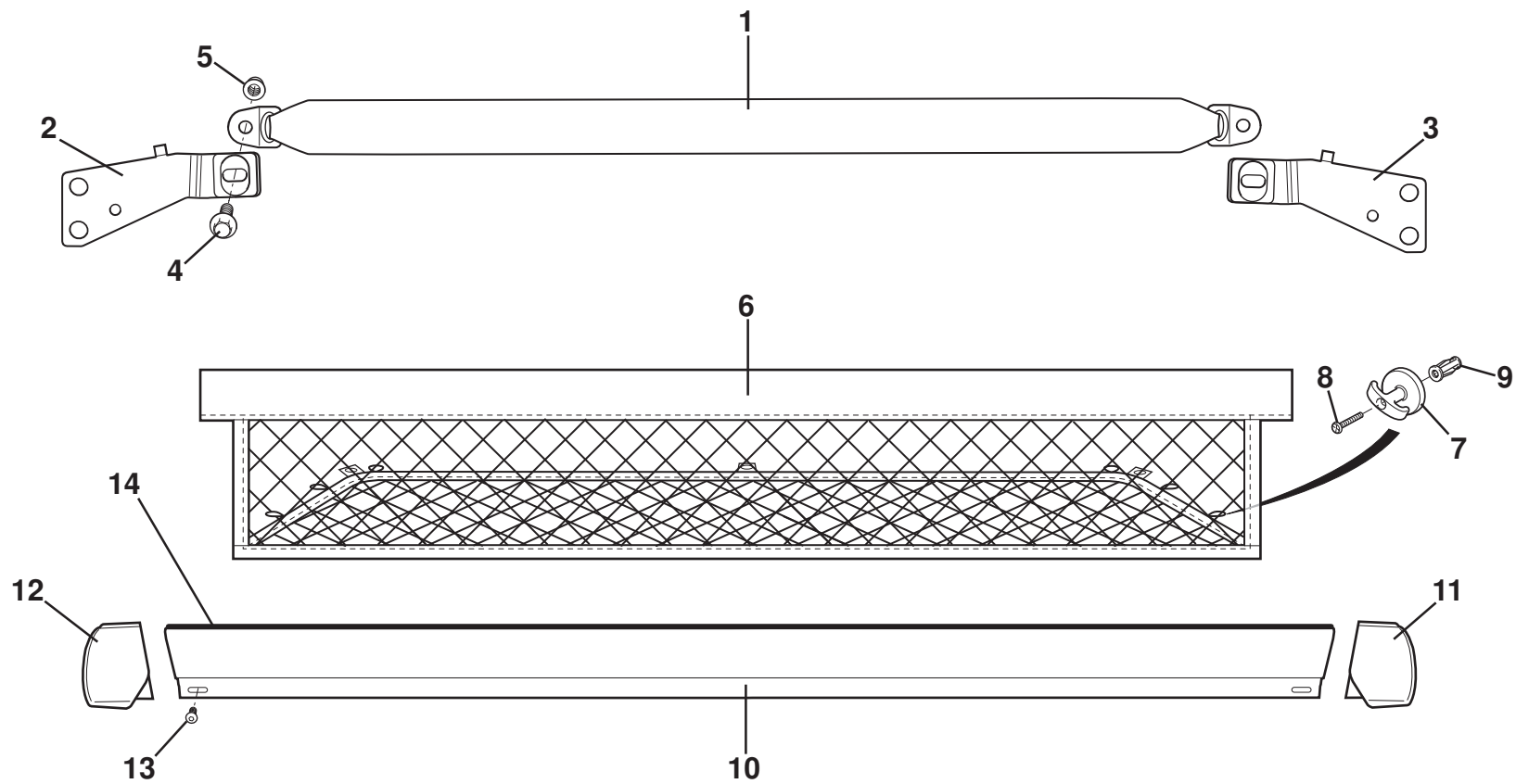
Function Code 15.11 Interior Trim & Stowage Provision

<u>Dep</u>	<u>Part Description</u>	<u>Remarks</u>	<u>Option</u>	<u>Part Number</u>	<u>Qty</u>
09f	Trim Finisher, rear quarter, leather,LH		MY12, ivory white	A132V4734S	1
09g	Trim Finisher, rear quarter, leather, LH		MY12, venom red	A132V4736S	1
09h	Trim Finisher, rear quarter, leather, LH		MY12, ash gray	A132V4738S	1
09i	Trim Finisher, rear quarter, leather, LH		MY12, cognac brown	A132V4740S	1
09j	Trim Finisher, rear quarter, leather, LH		MY12, cocoa brown	A132V4742S	1
09k	Trim Finisher, rear quarter, leather, LH		MY12, imperial blue	A132V4744S	1
09l	Trim Finisher, rear quarter, suedetex, LH		MY12, suedetex slate grey	A132V4746S	1
10	Access Cover, ECM, fuses & relays, cloth			A132V0496S	1
10a	Access Cover, ECM, fuses & relays, leather		Black	A132V0254S	1
10b	Access Cover, ECM, fuses & relays, leather		MY12, ivory white	A132V0645S	1
10c	Access Cover, ECM, fuses & relays, leather		MY12, venom red	A132V0646S	1
10d	Access Cover, ECM, fuses & relays, leather		MY12, ash gray	A132V0647S	1
10e	Access Cover, ECM, fuses & relays, leather		MY12, cognac brown	A132V0648S	1
10f	Access Cover, ECM, fuses & relays, leather		MY12, cocoa brown	A132V0649S	1
10g	Access Cover, ECM, fuses & relays, leather		MY12, imperial blue	A132V0650S	1
11	Quarter Turn Fastener, slotted hd., cover to panel			A132W6040F	1
12	Quarter Turn Fastener Receptacle, clip on			A132W6041F	1
13	Screw, No. 6 x 0.75", flg. pozi. black., trim panels fixing			A075W5028Z	12
14	Washer, flat, M5 x 10 x 0.9, trim panels fixing			A075W4011Z	12
15	Cover, harness, RH			A132U4218F	1
15a	Cover, harness, LH			A132U4217F	1



Function Code 15.11 Interior Trim & Stowage Provision

<u>Dep</u>	<u>Part Description</u>	<u>Remarks</u>	<u>Option</u>	<u>Part Number</u>	<u>Qty</u>
16	Firtree Fastener, cover to chassis			A116W6722F	4
17	Double Sided Tape, cover to chassis	Cut to fit		A117B6043V	As req.
18	Clip, trim			A132V6072S	1



EVORA
15.12

2010/01

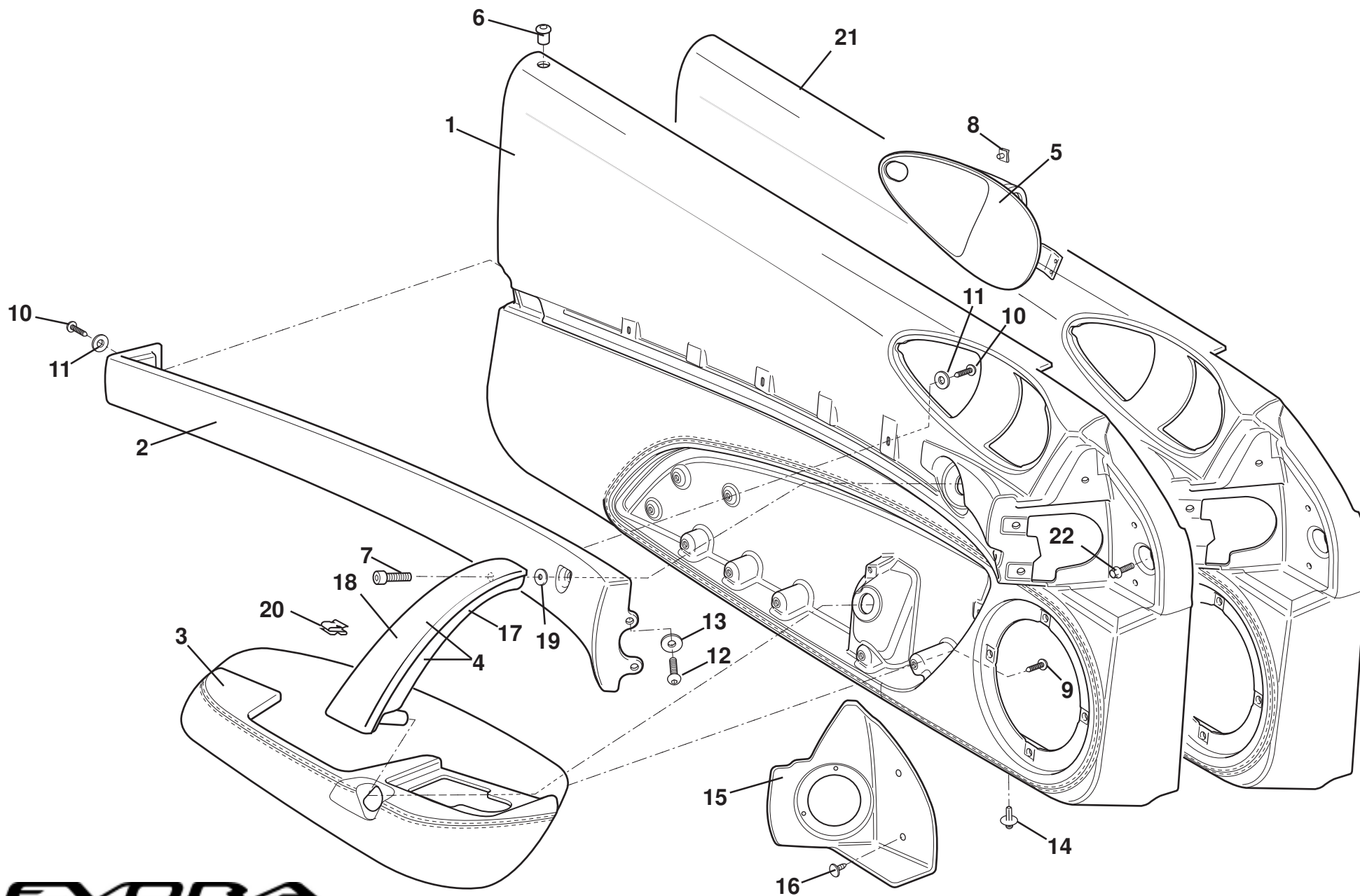
Service Parts List

EVORA



Function Code 15.12 Interior Luggage Retention, Evora 2 seat

<u>Dep</u>	<u>Part Description</u>	<u>Remarks</u>	<u>Option</u>	<u>Part Number</u>	<u>Qty</u>
01	Belt, luggage retention			A132V0226F	1
02	Bracket, luggage retention, RH			A132V4222F	1
03	Bracket, luggage retention, LH			A132V4221F	1
04	Cambolt, M10 x 23, hex. hd., belt to brackets			A132W2049F	2
05	Nyloc Nut, M10, flange, belt to brackets			B111W3151F	2
06	Net Assembly, interior luggage retention			B132V0177J	1
07	'T' Anchor, stowage net retention			A132V6037F	6
08	Screw, M4 x 35, pan pozi. black, anchor fixing			A132W5031F	6
09	Jacknut, M4, anchor fixing			A132W6045F	6
10	Extrusion, luggage retention trim			B132V0128F	1
11	End Cap, extrusion LH			A132V4075F	1
12	End Cap, extrusion RH			A132V4076F	1
13	Screw, M5 x 20, button hd., trim retaining			A082W7173F	6
14	Rubber Extrusion, luggage retention trim			A132V6033V	1.1M



EVORA

15.13

Updated 16th January 2013

Service Parts List



Function Code 15.13 Front Door Trims

<u>Dep</u>	<u>Part Description</u>	<u>Remarks</u>	<u>Option</u>	<u>Part Number</u>	<u>Qty</u>
01	Front Door Trim Panel Assembly, RH, RHD, cloth	Doors with sill button	Up to vin CH_10629	A132V4570S	1
01a	Front Door Trim Panel Assembly, LH, RHD, cloth	Doors with sill button	Up to vin CH_10629	A132V4569S	1
01b	Front Door Trim Panel Assembly, RH, LHD, cloth	Doors with sill button	Up to vin CH_10629	A132V4572S	1
01c	Front Door Trim Panel Assembly, LH, LHD, cloth	Doors with sill button	Up to vin CH_10629	A132V4571S	1
01d	Front Door Trim Panel Assembly, RH, RHD, leather	Doors with sill button	Black leather, up to vin CH_10629	A132V4081J	1
01e	Front Door Trim Panel Assembly, LH, RHD, leather	Doors with sill button	Black leather, up to vin CH_10629	A132V4082J	1
01f	Front Door Trim Panel Assembly, RH, LHD, leather	Doors with sill button	Black leather, up to vin CH_10629	A132V4078J	1
01g	Front Door Trim Panel Assembly, LH, LHD, leather	Doors with sill button	Black leather, up to vin CH_10629	A132V4077J	1
01h	Front Door Trim Panel Assembly, RH, RHD, leather	Doors with sill button	MY12, Ivory white, up to vin CH_10629	A132V4768S	1
01i	Front Door Trim Panel Assembly, LH, RHD, leather	Doors with sill button	MY12, Ivory white, up to vin CH_10629	A132V4767S	1
01j	Front Door Trim Panel Assembly, RH, LHD, leather	Doors with sill button	MY12, Ivory white, up to vin CH_10629	A132V4770S	1
01k	Front Door Trim Panel Assembly, LH, LHD, leather	Doors with sill button	MY12, Ivory white, up to vin CH_10629	A132V4769S	1
01l	Front Door Trim Panel Assembly, RH, RHD, leather	Doors with sill button	MY12, Venom Red, up to vin CH_10629	A132V4772S	1



Function Code 15.13 Front Door Trims

<u>Dep</u>	<u>Part Description</u>	<u>Remarks</u>	<u>Option</u>	<u>Part Number</u>	<u>Qty</u>
01m	Front Door Trim Panel Assembly, LH, RHD, leather	Doors with sill button	MY12, Venom Red, up to vin CH_10629	A132V4771S	1
01n	Front Door Trim Panel Assembly, RH, LHD, leather	Doors with sill button	MY12, Venom Red, up to vin CH_10629	A132V4774S	1
01o	Front Door Trim Panel Assembly, LH, LHD, leather	Doors with sill button	MY12, Venom Red, up to vin CH_10629	A132V4773S	1
01p	Front Door Trim Panel Assembly, RH, RHD, leather	Doors with sill button	MY12, Ash Grey, up to vin CH_10629	A132V4776S	1
01q	Front Door Trim Panel Assembly, LH, RHD, leather	Doors with sill button	MY12, Ash Grey, up to vin CH_10629	A132V4775S	1
01r	Front Door Trim Panel Assembly, RH, LHD, leather	Doors with sill button	MY12, Ash Grey, up to vin CH_10629	A132V4778S	1
01s	Front Door Trim Panel Assembly, LH, LHD, leather	Doors with sill button	MY12, Ash Grey, up to vin CH_10630	A132V4777S	1
01t	Front Door Trim Panel Assembly, RH, RHD, leather	Doors with sill button	MY12, Cognac Brown, up to vin CH_10629	A132V4780S	1
01u	Front Door Trim Panel Assembly, LH, RHD, leather	Doors with sill button	MY12, Cognac Brown, up to vin CH_10629	A132V4779S	1
01v	Front Door Trim Panel Assembly, RH, LHD, leather	Doors with sill button	MY12, Cognac Brown, up to vin CH_10629	A132V4782S	1
01w	Front Door Trim Panel Assembly, LH, LHD, leather	Doors with sill button	MY12, Cognac Brown, up to vin CH_10629	A132V4781S	1
01x	Front Door Trim Panel Assembly, RH, RHD, leather	Doors with sill button	MY12, Cocoa Brown, up to vin CH_10629	A132V4784S	1
01y	Front Door Trim Panel Assembly, LH, RHD, leather	Doors with sill button	MY12, Cocoa Brown, up to vin CH_10629	A132V4783S	1



Function Code 15.13 Front Door Trims

<u>Dep</u>	<u>Part Description</u>	<u>Remarks</u>	<u>Option</u>	<u>Part Number</u>	<u>Qty</u>
01z	Front Door Trim Panel Assembly, RH, LHD, leather	Doors with sill button	MY12, Cocoa Brown, up to vin CH_10629	A132V4786S	1
01az	Front Door Trim Panel Assembly, LH, LHD, leather	Doors with sill button	MY12, Cocoa Brown, up to vin CH_10629	A132V4785S	1
01bz	Front Door Trim Panel Assembly, RH, RHD, leather	Doors with sill button	MY12, Imperial blue, up to vin CH_10629	A132V4788S	1
01cz	Front Door Trim Panel Assembly, LH, RHD, leather	Doors with sill button	MY12, Imperial blue, up to vin CH_10629	A132V4787S	1
01dz	Front Door Trim Panel Assembly, RH, LHD, leather	Doors with sill button	MY12, Imperial blue, up to vin CH_10629	A132V4790S	1
01ez	Front Door Trim Panel Assembly, LH, LHD, leather	Doors with sill button	MY12, Imperial blue, up to vin CH_10629	A132V4789S	1
01fz	Front Door Trim Panel Assembly, RH, RHD, leather	Red stiching. doors with sill button	MY12, Black, up to vin CH_10629	A132V4792S	1
01gz	Front Door Trim Panel Assembly, LH, RHD, leather	Red stiching. doors with sill button	MY12, Black, up to vin CH_10629	A132V4791S	1
01hz	Front Door Trim Panel Assembly, RH, LHD, leather	Red stiching. doors with sill button	MY12, Black, up to vin CH_10629	A132V4794S	1
01iz	Front Door Trim Panel Assembly, LH, LHD, leather	Red stiching. doors with sill button	MY12, Black, up to vin CH_10629	A132V4793S	1
01jz	Front Door Trim Panel Assembly, RH, RHD, leather	Black stiching. doors with sill button	MY12, Venom Red, up to vin CH_10629	A132V4796S	1
01kz	Front Door Trim Panel Assembly, LH, RHD, leather	Black stiching. doors with sill button	MY12, Venom Red, up to vin CH_10629	A132V4795S	1
01lz	Front Door Trim Panel Assembly, RH, LHD, leather	Black stiching. doors with sill button	MY12, Venom Red, up to vin CH_10629	A132V4798S	1



Function Code 15.13 Front Door Trims

<u>Dep</u>	<u>Part Description</u>	<u>Remarks</u>	<u>Option</u>	<u>Part Number</u>	<u>Qty</u>
01mz	Front Door Trim Panel Assembly, LH, LHD, leather	Black stitching. doors with sill button	MY12, Venom Red, up to vin CH_10629	A132V4797S	1
01nz	Front Door Trim Panel Assembly, RH, RHD, leather	Black stitching. doors with sill button	MY12, Imperial blue, up to vin CH_10629	A132V4800S	1
01oz	Front Door Trim Panel Assembly, LH, RHD, leather	Black stitching. doors with sill button	MY12, Imperial blue, up to vin CH_10629	A132V4799S	1
01pz	Front Door Trim Panel Assembly, RH, LHD, leather	Black stitching. doors with sill button	MY12, Imperial blue, up to vin CH_10629	A132V4802S	1
01rz	Front Door Trim Panel Assembly, LH, LHD, leather	Black stitching. doors with sill button	MY12, Imperial blue, up to vin CH_10629	A132V4801S	1
01sz	Front Door Trim Panel Assembly, RH, RHD, leather	Black stitching. doors with sill button	MY12, Cocoa Brown, up to vin CH_10629	A132V4804S	1
01tz	Front Door Trim Panel Assembly, LH, RHD, leather	Black stitching. doors with sill button	MY12, Cocoa Brown, up to vin CH_10629	A132V4803S	1
01uz	Front Door Trim Panel Assembly, RH, LHD, leather	Black stitching. doors with sill button	MY12, Cocoa Brown, up to vin CH_10629	A132V4806S	1
01vz	Front Door Trim Panel Assembly, LH, LHD, leather	Black stitching. doors with sill button	MY12, Cocoa Brown, up to vin CH_10629	A132V4805S	1
01wz	Front Door Trim Panel Assembly, RH, RHD, leather/suedetex	Doors with sill button	MY12, Black/suedetex , up to vin CH_10629	A132V5138S	1
01xz	Front Door Trim Panel Assembly, LH, RHD, leather/suedetex	Doors with sill button	MY12, Black/suedetex, up to vin CH_10629	A132V5137S	1
01yz	Front Door Trim Panel Assembly, RH, LHD, leather/suedetex	Doors with sill button	MY12, Black/suedetex, up to vin CH_10629	A132V5136S	1
01zz	Front Door Trim Panel Assembly, LH, LHD, leather/suedetex	Doors with sill button	MY12, Black/suedetex, up to vin CH_10629	A132V5135S	1
02	Trim Panel, LH, leather		Black	A132U4179J	1



Function Code 15.13 Front Door Trims

<u>Dep</u>	<u>Part Description</u>	<u>Remarks</u>	<u>Option</u>	<u>Part Number</u>	<u>Qty</u>
02a	Trim Panel, RH, leather		Black	A132U4180J	1
02b	Trim Panel, LH, leather		Paprika	A132V4307S	1
02c	Trim Panel, RH, leather		Paprika	A132V4308S	1
02d	Trim Panel, LH, leather		Oyster	A132V4309S	1
02e	Trim Panel, RH, leather		Oyster	A132V4310S	1
02f	Trim Panel, LH, leather		Graphite	A132V4311S	1
02g	Trim Panel, RH, leather		Graphite	A132V4312S	1
02h	Trim Panel, LH, leather		Chestnut	A132V4313S	1
02i	Trim Panel, RH, leather		Chestnut	A132V4314S	1
02j	Trim Panel, LH, leather		Cocobolo	A132V4449S	1
02k	Trim Panel, RH, leather		Cocobolo	A132V4450S	1
02l	Trim Panel, LH, leather		MY12, Black	A132U4179J	1
02m	Trim Panel, RH, leather		MY12, Black	A132U4180J	1
02n	Trim Panel, LH, leather		MY12, Ivory white	A132V4807S	1
02o	Trim Panel, RH, leather		MY12, Ivory white	A132V4808S	1
02p	Trim Panel, LH, leather		MY12, Venom Red	A132V4809S	1
02q	Trim Panel, RH, leather		MY12, Venom Red	A132V4810S	1
02r	Trim Panel, LH, leather		MY12, Ash Grey	A132V4811S	1
02s	Trim Panel, RH, leather		MY12, Ash Grey	A132V4812S	1
02t	Trim Panel, LH, leather		MY12, Cognac Brown	A132V4813S	1
02u	Trim Panel, RH, leather		MY12, Cognac Brown	A132V4814S	1



Function Code 15.13 Front Door Trims

<u>Dep</u>	<u>Part Description</u>	<u>Remarks</u>	<u>Option</u>	<u>Part Number</u>	<u>Qty</u>
02v	Trim Panel, LH, leather		MY12, Cocoa Brown	A132V4815S	1
02w	Trim Panel, RH, leather		MY12, Cocoa Brown	A132V4816S	1
02x	Trim Panel, LH, leather		MY12, Imperial blue	A132V4817S	1
02y	Trim Panel, RH, leather		MY12, Imperial blue	A132V4818S	1
02z	Trim Panel, LH, suedetex		MY12, Suedetex Slate Grey	A132V4819S	1
02az	Trim Panel, RH, suedetex		MY12, Suedetex Slate Grey	A132V4820S	1
02bz	Trim Panel, LH, suedetex	Red stitching	Suedetex Slate Grey	A132V5343S	1
02cz	Trim Panel, RH, suedetex	Red stitching	Suedetex Slate Grey	A132V5344S	1
03	Stowage Pocket/Switch Panel Assembly, trimmed, RH RHD, cloth			A132V4574S	1
03a	Stowage Pocket/Switch Panel Assembly, trimmed, LH RHD, cloth			A132V4573S	1
03b	Stowage Pocket/Switch Panel Assembly, trimmed, RH LHD, cloth			A132V4576S	1
03c	Stowage Pocket/Switch Panel Assembly, trimmed, LH LHD, cloth			A132V4575S	1
03d	Stowage Pocket/Switch Panel Assembly, RH RHD, leather		Black	A132V4083J	1
03e	Stowage Pocket/Switch Panel Assembly, LH RHD, leather		Black	A132V4084J	1
03f	Stowage Pocket/Switch Panel Assembly, RH LHD, leather		Black	A132U4184J	1
03g	Stowage Pocket/Switch Panel Assembly, LH LHD, leather		Black	A132U4183J	1
03h	Stowage Pocket/Switch Panel Assembly, RH RHD, leather		MY12, Ivory white	A132V4822S	1
03i	Stowage Pocket/Switch Panel Assembly, LH RHD, leather		MY12, Ivory white	A132V4821S	1



Function Code 15.13 Front Door Trims

<u>Dep</u>	<u>Part Description</u>	<u>Remarks</u>	<u>Option</u>	<u>Part Number</u>	<u>Qty</u>
03j	Stowage Pocket/Switch Panel Assembly, RH LHD, leather		MY12, Ivory white	A132V4824S	1
03k	Stowage Pocket/Switch Panel Assembly, LH LHD, leather		MY12, Ivory white	A132V4823S	1
03l	Stowage Pocket/Switch Panel Assembly, RH RHD, leather		MY12, Venom Red	A132V4826S	1
03m	Stowage Pocket/Switch Panel Assembly, LH RHD, leather		MY12, Venom Red	A132V4825S	1
03n	Stowage Pocket/Switch Panel Assembly, RH LHD, leather		MY12, Venom Red	A132V4828S	1
03o	Stowage Pocket/Switch Panel Assembly, LH LHD, leather		MY12, Venom Red	A132V4827S	1
03p	Stowage Pocket/Switch Panel Assembly, RH RHD, leather		MY12, Ash Grey	A132V4830S	1
03q	Stowage Pocket/Switch Panel Assembly, LH RHD, leather		MY12, Ash Grey	A132V4829S	1
03r	Stowage Pocket/Switch Panel Assembly, RH LHD, leather		MY12, Ash Grey	A132V4832S	1
03s	Stowage Pocket/Switch Panel Assembly, LH LHD, leather		MY12, Ash Grey	A132V4831S	1
03t	Stowage Pocket/Switch Panel Assembly, RH RHD, leather		MY12, Cognac Brown	A132V4834S	1
03u	Stowage Pocket/Switch Panel Assembly, LH RHD, leather		MY12, Cognac Brown	A132V4833S	1
03v	Stowage Pocket/Switch Panel Assembly, RH LHD, leather		MY12, Cognac Brown	A132V4836S	1
03w	Stowage Pocket/Switch Panel Assembly, LH LHD, leather		MY12, Cognac Brown	A132V4835S	1
03x	Stowage Pocket/Switch Panel Assembly, RH RHD, leather		MY12, Cocoa Brown	A132V4838S	1
03y	Stowage Pocket/Switch Panel Assembly, LH RHD, leather		MY12, Cocoa Brown	A132V4837S	1
03z	Stowage Pocket/Switch Panel Assembly, RH LHD, leather		MY12, Cocoa Brown	A132V4840S	1
03az	Stowage Pocket/Switch Panel Assembly, LH LHD, leather		MY12, Cocoa Brown	A132V4839S	1
03bz	Stowage Pocket/Switch Panel Assembly, RH RHD, leather		MY12, Imperial blue	A132V4842S	1
03cz	Stowage Pocket/Switch Panel Assembly, LH RHD, leather		MY12, Imperial blue	A132V4841S	1
03dz	Stowage Pocket/Switch Panel Assembly, RH LHD, leather		MY12, Imperial blue	A132V4844S	1



Function Code 15.13 Front Door Trims

<u>Dep</u>	<u>Part Description</u>	<u>Remarks</u>	<u>Option</u>	<u>Part Number</u>	<u>Qty</u>
03ez	Stowage Pocket/Switch Panel Assembly, LH LHD, leather		MY12, Imperial blue	A132V4843S	1
03fz	Stowage Pocket/Switch Panel Assembly, RH RHD, suedetex		Suedetex Slate Grey	A132V4846S	1
03gz	Stowage Pocket/Switch Panel Assembly, LH RHD, suedetex		Suedetex Slate Grey	A132V4845S	1
03hz	Stowage Pocket/Switch Panel Assembly, RH LHD, suedetex		Suedetex Slate Grey	A132V4848S	1
03iz	Stowage Pocket/Switch Panel Assembly, LH LHD, suedetex		Suedetex Slate Grey	A132V4847S	1
03jz	Stowage Pocket/Switch Panel Assembly, RH RHD, leather	Red stitching	MY12, Black	A132V4850S	1
03kz	Stowage Pocket/Switch Panel Assembly, LH RHD, leather	Red stitching	MY12, Black	A132V4849S	1
03lz	Stowage Pocket/Switch Panel Assembly, RH LHD, leather	Red stitching	MY12, Black	A132V4852S	1
03mz	Stowage Pocket/Switch Panel Assembly, LH LHD, leather	Red stitching	MY12, Black	A132V4851S	1
03nz	Stowage Pocket/Switch Panel Assembly, RH RHD, leather	Black stitching	MY12, Venom Red	A132V4854S	1
03oz	Stowage Pocket/Switch Panel Assembly, LH RHD, leather	Black stitching	MY12, Venom Red	A132V4853S	1
03pz	Stowage Pocket/Switch Panel Assembly, RH LHD, leather	Black stitching	MY12, Venom Red	A132V4856S	1
03qz	Stowage Pocket/Switch Panel Assembly, LH LHD, leather	Black stitching	MY12, Venom Red	A132V4855S	1
03rz	Stowage Pocket/Switch Panel Assembly, RH RHD, leather	Black stitching	MY12, Cocoa Brown	A132V4858S	1
03sz	Stowage Pocket/Switch Panel Assembly, LH RHD, leather	Black stitching	MY12, Cocoa Brown	A132V4857S	1
03tz	Stowage Pocket/Switch Panel Assembly, RH LHD, leather	Black stitching	MY12, Cocoa Brown	A132V4860S	1
03uz	Stowage Pocket/Switch Panel Assembly, LH LHD, leather	Black stitching	MY12, Cocoa Brown	A132V4859S	1
03vz	Stowage Pocket/Switch Panel Assembly, RH RHD, leather	Black stitching	MY12, Imperial blue	A132V4862S	1



Function Code 15.13 Front Door Trims

<u>Dep</u>	<u>Part Description</u>	<u>Remarks</u>	<u>Option</u>	<u>Part Number</u>	<u>Qty</u>
03wz	Stowage Pocket/Switch Panel Assembly, LH RHD, leather	Black stitching	MY12, Imperial blue	A132V4861S	1
03xz	Stowage Pocket/Switch Panel Assembly, RH LHD, leather	Black stitching	MY12, Imperial blue	A132V4864S	1
03yz	Stowage Pocket/Switch Panel Assembly, LH LHD, leather	Black stitching	MY12, Imperial blue	A132V4863S	1
04	Door Pull Handle Assembly, trimmed inner, LH, leather		Black	A132V4201J	1
04a	Door Pull Handle Assembly, trimmed inner, RH, leather		Black	A132V4202J	1
04b	Door Pull Handle Assembly, trimmed, LH, leather		MY12, Black	A132V5055S	1
04c	Door Pull Handle Assembly, trimmed, RH, leather		MY12, Black	A132V5056S	1
04d	Door Pull Handle Assembly, trimmed, LH, leather		MY12, Ivory white	A132V5041S	1
04e	Door Pull Handle Assembly, trimmed, RH, leather		MY12, Ivory white	A132V5042S	1
04f	Door Pull Handle Assembly, trimmed, LH, leather		MY12, Venom Red	A132V5043S	1
04g	Door Pull Handle Assembly, trimmed, RH, leather		MY12, Venom Red	A132V50441S	1
04h	Door Pull Handle Assembly, trimmed, LH,		MY12, Ash Grey	A132V5045S	1
04i	Door Pull Handle Assembly, trimmed, RH, leather		MY12, Ash Grey	A132V5046S	1
04j	Door Pull Handle Assembly, trimmed, LH, leather		MY12, Cognac Brown	A132V5047S	1
04k	Door Pull Handle Assembly, trimmed, RH, leather		MY12, Cognac Brown	A132V5048S	1
04l	Door Pull Handle Assembly, trimmed, LH, leather		MY12, Cocoa Brown	A132V5049S	1
04m	Door Pull Handle Assembly, trimmed, RH, leather		MY12, Cocoa Brown	A132V50501S	1
04n	Door Pull Handle Assembly, trimmed, LH, leather		MY12, Imperial blue	A132V5051S	1
04o	Door Pull Handle Assembly, trimmed, RH, leather		MY12, Imperial blue	A132V5052S	1
04p	Door Pull Handle Assembly, trimmed inner, LH, suedetex		Suedetex Slate Grey	A132V5201S	1
04q	Door Pull Handle Assembly, trimmed inner, RH, suedetex		Suedetex Slate Grey	A132V5202S	1



Function Code 15.13 Front Door Trims

<u>Dep</u>	<u>Part Description</u>	<u>Remarks</u>	<u>Option</u>	<u>Part Number</u>	<u>Qty</u>
05	Carrier, face level vent, door	Also see 18.13		A132U0184F	2
06	Escutcheon, sill button	Also see 10.17		A132V0195F	2
06a	Escutcheon, sill button, black		MY12	A132V0380F	2
07	Bolt, M8 x 30, button skt. hd. handle to panel			A132W7006F	4
08	Spirenut, no.6, carrier to panel			A075W6014F	4
09	Screw, no. 6 x 0.5", flg. pozi., pocket to panel			A075W5012F	16
09a	Screw, no. 6 x 0.75", flg. pozi., pocket to panel			A075W5028Z	2
09b	Screw, no. 6 x 1.0", flg. pozi., pocket to panel			A082W5022F	2
10	Screw, no. 6 x 0.5", flg. pozi., insert to panel			A075W5012F	10
11	Washer, flat, M6 x 12.01 x 1.4, insert to panel			A075W4013F	10
12	Screw, M6 x 20, button skt. hd. S/S black, insert to panel			A100W7096F	4
13	Washer, flat, M6 x 18 x 1, insert to panel			B082W4018F	4
14	Plastic Fastener, trim panel to door			A100W6481F	10
15	Door Closer Panel, LH			B132U4143F	1
15a	Door Closer Panel, RH			B132U4144F	1
16	Firtree Fastener, closer panel to door			A132W6006F	4
17	Door Pull Handle Inner, trimmed, LH, leather		Black	A132V4363S	1
17a	Door Pull Handle Inner, trimmed, RH, leather		Black	A132V4364S	1
17b	Door Pull Handle Inner, trimmed, LH, leather		MY12, Black	A132V5297S	1
17c	Door Pull Handle Inner, trimmed, RH, leather		MY12, Black	A132V5298S	
17d	Door Pull Handle Inner, trimmed, LH, leather		MY12, Ivory white	A132V5057S	1



Function Code 15.13 Front Door Trims

<u>Dep</u>	<u>Part Description</u>	<u>Remarks</u>	<u>Option</u>	<u>Part Number</u>	<u>Qty</u>
17e	Door Pull Handle Inner, trimmed, RH, leather		MY12, Ivory white	A132V5058S	1
17f	Door Pull Handle Inner, trimmed, LH, leather		MY12, Venom Red	A132V5059S	1
17g	Door Pull Handle Inner, trimmed, RH, leather		MY12, Venom Red	A132V5060S	1
17h	Door Pull Handle Inner, trimmed, LH, leather		MY12, Ash Grey	A132V5061S	1
17i	Door Pull Handle Inner, trimmed, RH, leather		MY12, Ash Grey	A132V5062S	1
17j	Door Pull Handle Inner, trimmed, LH, leather		MY12, Cognac Brown	A132V5063S	1
17k	Door Pull Handle Inner, trimmed, RH, leather		MY12, Cognac Brown	A132V5064S	1
17l	Door Pull Handle Inner, trimmed, LH, leather		MY12, Cocoa Brown	A132V5065S	1
17m	Door Pull Handle Inner, trimmed, RH, leather		MY12, Cocoa Brown	A132V5066S	1
17n	Door Pull Handle Inner, trimmed, LH, leather		MY12, Imperial blue	A132V5067S	1
17o	Door Pull Handle Inner, trimmed, RH, leather		MY12, Imperial blue	A132V5068S	1
17p	Door Pull Handle Inner, trimmed, LH, suedetex		Suedetex Slate Grey	A132V5203S	1
17q	Door Pull Handle Inner, trimmed, RH, suedetex		Suedetex Slate Grey	A132V5204S	1
18	Cover, door pull handle, LH	Untrimmed		A132V4147F	1
18a	Cover, door pull handle, RH	Untrimmed		A132V4148F	1
18b	Cover, door pull handle, LH, leather		MY12, Black	A132V5069S	1
18c	Cover, door pull handle, RH, leather		MY12, Black	A132V5070S	1
18d	Cover, door pull handle, LH, leather		MY12, Ivory white	A132V5071S	1
18e	Cover, door pull handle, RH, leather		MY12, Ivory white	A132V5072S	1
18f	Cover, door pull handle, LH, leather		MY12, Venom Red	A132V5073S	1
18g	Cover, door pull handle, RH, leather		MY12, Venom Red	A132V5074S	1



Function Code 15.13 Front Door Trims

<u>Dep</u>	<u>Part Description</u>	<u>Remarks</u>	<u>Option</u>	<u>Part Number</u>	<u>Qty</u>
18h	Cover, door pull handle, LH, leather		MY12, Ash Grey	A132V5075S	1
18i	Cover, door pull handle, RH, leather		MY12, Ash Grey	A132V5076S	1
18j	Cover, door pull handle, LH, leather		MY12, Cognac Brown	A132V5077S	1
18k	Cover, door pull handle, RH, leather		MY12, Cognac Brown	A132V5078S	1
18l	Cover, door pull handle, LH, leather		MY12, Cocoa Brown	A132V5079S	1
18m	Cover, door pull handle, RH, leather		MY12, Cocoa Brown	A132V5080S	1
18n	Cover, door pull handle, LH, leather		MY12, Imperial blue	A132V5081S	1
18o	Cover, door pull handle, RH, leather		MY12, Imperial blue	A132V5082S	1
19	Washer 8 x 16.6 x 1.4, handle to panel			A075W4020H	2
20	'S' Clip, cover to handle			A132W6092F	8
21	Front Door Trim Panel Assembly, RH, RHD, leather	Doors without sill button	MY12, Black from vin CH_10630	A132V5206S	1
21a	Front Door Trim Panel Assembly, LH, RHD, leather	Doors without sill button	MY12, Black from vin CH_10630	A132V5205S	1
21b	Front Door Trim Panel Assembly, RH, LHD, leather	Doors without sill button	MY12, Black from vin CH_10630	A132V5208S	1
21c	Front Door Trim Panel Assembly, LH, LHD, leather	Doors without sill button	MY12, Black from vin CH_10630	A132V5207S	1
21d	Front Door Trim Panel Assembly, RH, RHD, leather	Doors without sill button	MY12, Ivory white, from vin CH_10630	A132V5210S	1
21e	Front Door Trim Panel Assembly, LH, RHD, leather	Doors without sill button	MY12, Ivory white, from vin CH_10630	A132V5209S	1
21f	Front Door Trim Panel Assembly, RH, LHD, leather	Doors without sill button	MY12, Ivory white, from vin CH_10630	A132V5212S	1



Function Code 15.13 Front Door Trims

<u>Dep</u>	<u>Part Description</u>	<u>Remarks</u>	<u>Option</u>	<u>Part Number</u>	<u>Qty</u>
21g	Front Door Trim Panel Assembly, LH, LHD, leather	Doors without sill button	MY12, Ivory white, from vin CH_10630	A132V5211S	1
21h	Front Door Trim Panel Assembly, RH, RHD, leather	Doors without sill button	MY12, Venom Red, from vin CH_10630	A132V5214S	1
21i	Front Door Trim Panel Assembly, LH, RHD, leather	Doors without sill button	MY12, Venom Red, from vin CH_10630	A132V5213S	1
21j	Front Door Trim Panel Assembly, RH, LHD, leather	Doors without sill button	MY12, Venom Red, from vin CH_10630	A132V5216S	1
21k	Front Door Trim Panel Assembly, LH, LHD, leather	Doors without sill button	MY12, Venom Red, from vin CH_10630	A132V5215S	1
21l	Front Door Trim Panel Assembly, RH, RHD, leather	Doors without sill button	MY12, Ash Grey, from vin CH_10630	A132V5218S	1
21m	Front Door Trim Panel Assembly, LH, RHD, leather	Doors without sill button	MY12, Ash Grey, from vin CH_10630	A132V5217S	1
21n	Front Door Trim Panel Assembly, RH, LHD, leather	Doors without sill button	MY12, Ash Grey, from vin CH_10630	A132V5220S	1
21o	Front Door Trim Panel Assembly, LH, LHD, leather	Doors without sill button	MY12, Ash Grey, from vin CH_10630	A132V5219S	1
21p	Front Door Trim Panel Assembly, RH, RHD, leather	Doors without sill button	MY12, Cognac Brown, from vin CH_10630	A132V5222S	1
21q	Front Door Trim Panel Assembly, LH, RHD, leather	Doors without sill button	MY12, Cognac Brown, from vin CH_10630	A132V5221S	1
21r	Front Door Trim Panel Assembly, RH, LHD, leather	Doors without sill button	MY12, Cognac Brown, from vin CH_10630	A132V5224S	1
21s	Front Door Trim Panel Assembly, LH, LHD, leather	Doors without sill button	MY12, Cognac Brown, from vin CH_10630	A132V5223S	1



Function Code 15.13 Front Door Trims

<u>Dep</u>	<u>Part Description</u>	<u>Remarks</u>	<u>Option</u>	<u>Part Number</u>	<u>Qty</u>
21t	Front Door Trim Panel Assembly, RH, RHD, leather	Doors without sill button	MY12, Cocoa Brown, from vin CH_10630	A132V5226S	1
21u	Front Door Trim Panel Assembly, LH, RHD, leather	Doors without sill button	MY12, Cocoa Brown, from vin CH_10630	A132V5225S	1
21v	Front Door Trim Panel Assembly, RH, LHD, leather	Doors without sill button	MY12, Cocoa Brown, from vin CH_10630	A132V5228S	1
21w	Front Door Trim Panel Assembly, LH, LHD, leather	Doors without sill button	MY12, Cocoa Brown, from vin CH_10630	A132V5227S	1
21x	Front Door Trim Panel Assembly, RH, RHD, leather	Doors without sill button	MY12, Imperial blue, from vin CH_10630	A132V5230S	1
21y	Front Door Trim Panel Assembly, LH, RHD, leather	Doors without sill button	MY12, Imperial blue, from vin CH_10630	A132V5229S	1
21z	Front Door Trim Panel Assembly, RH, LHD, leather	Doors without sill button	MY12, Imperial blue, from vin CH_10630	A132V5232S	1
21az	Front Door Trim Panel Assembly, LH, LHD, leather	Doors without sill button	MY12, Imperial blue, from vin CH_10630	A132V5231S	1
21bz	Front Door Trim Panel Assembly, RH, RHD, leather	Red stitching, without door sill button	MY12, Black from vin CH_10630	A132V5234S	1
21cz	Front Door Trim Panel Assembly, LH, RHD, leather	Red stitching, without door sill button	MY12, Black from vin CH_10630	A132V5233S	1
21dz	Front Door Trim Panel Assembly, RH, LHD, leather	Red stitching, without door sill button	MY12, Black from vin CH_10630	A132V5236S	1
21ez	Front Door Trim Panel Assembly, LH, LHD, leather	Red stitching, without door sill button	MY12, Black from vin CH_10630	A132V5235S	1
21fz	Front Door Trim Panel Assembly, RH, RHD, leather	Black stitching, doors without sill button	MY12, Venom Red, from vin CH_10630	A132V5238S	1



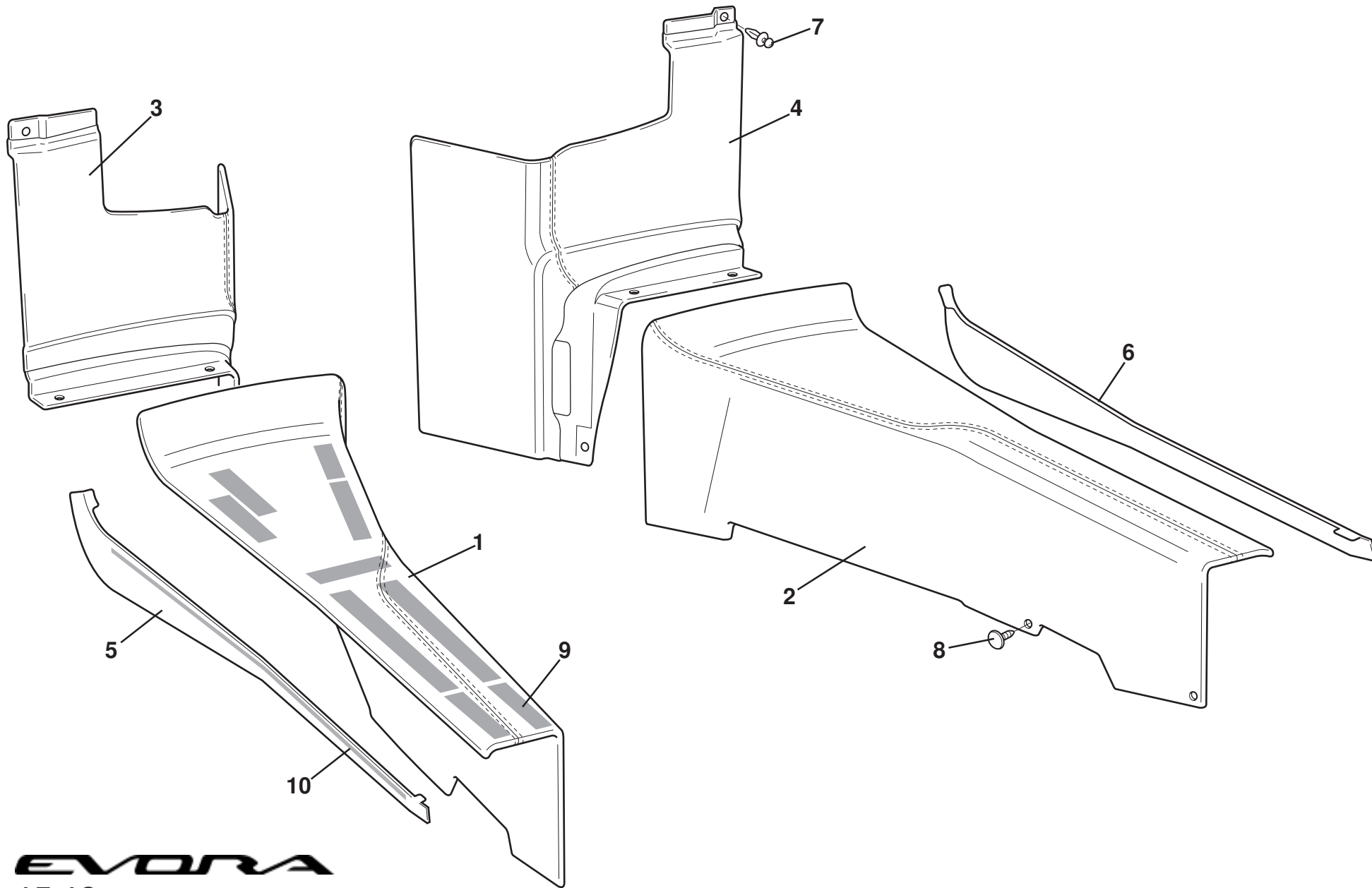
Function Code 15.13 Front Door Trims

<u>Dep</u>	<u>Part Description</u>	<u>Remarks</u>	<u>Option</u>	<u>Part Number</u>	<u>Qty</u>
21gz	Front Door Trim Panel Assembly, LH, RHD, leather	Black stitching, doors without sill button	MY12, Venom Red, from vin CH_10630	A132V5237S	1
21hz	Front Door Trim Panel Assembly, RH, LHD, leather	Black stitching, doors without sill button	MY12, Venom Red, from vin CH_10630	A132V5240S	1
21iz	Front Door Trim Panel Assembly, LH, LHD, leather	Black stitching, doors without sill button	MY12, Venom Red, from vin CH_10630	A132V5239S	1
21jz	Front Door Trim Panel Assembly, RH, RHD, leather	Black stitching, doors without sill button	MY12, Cocoa Brown, from vin CH_10630	A132V5242S	1
21kz	Front Door Trim Panel Assembly, LH, RHD, leather	Black stitching, doors without sill button	MY12, Cocoa Brown, from vin CH_10630	A132V5241S	1
21lz	Front Door Trim Panel Assembly, RH, LHD, leather	Black stitching, doors without sill button	MY12, Cocoa Brown, from vin CH_10630	A132V5244S	1
21mz	Front Door Trim Panel Assembly, LH, LHD, leather	Black stitching, doors without sill button	MY12, Cocoa Brown, from vin CH_10630	A132V5243S	1
21nz	Front Door Trim Panel Assembly, RH, RHD, leather	Black stitching, doors without sill button	MY12, Imperial blue, from vin CH_10630	A132V5246S	1
21oz	Front Door Trim Panel Assembly, LH, RHD, leather	Black stitching, doors without sill button	MY12, Imperial blue, from vin CH_10630	A132V5245S	1
21pz	Front Door Trim Panel Assembly, RH, LHD, leather	Black stitching, doors without sill button	MY12, Imperial blue, from vin CH_10630	A132V5248S	1
21qz	Front Door Trim Panel Assembly, LH, LHD, leather	Black stitching, doors without sill button	MY12, Imperial blue, from vin CH_10630	A132V5247S	1
21rz	Front Door Trim Panel Assembly, RH, RHD, leather/suedetex	Doors without sill button	MY12, Black/suedetex, from vin CH_10630	A132V5250S	1
21sz	Front Door Trim Panel Assembly, LH, RHD, leather/suedetex	Doors without sill button	MY12, Black/suedetex, from vin CH_10630	A132V5249S	1



Function Code 15.13 Front Door Trims

<u>Dep</u>	<u>Part Description</u>	<u>Remarks</u>	<u>Option</u>	<u>Part Number</u>	<u>Qty</u>
21tz	Front Door Trim Panel Assembly, RH, LHD, leather/suedetex	Doors without sill button	MY12, Black/suedetex, from vin CH_10630	A132V5252S	1
21uz	Front Door Trim Panel Assembly, LH, LHD, leather/suedetex	Doors without sill button	MY12, Black/suedetex, from vin CH_10630	A132V5251S	1
21vz	Front Door Trim Panel Assembly, RH, RHD, cloth	Doors without sill button	MY12, from vin CH_10630	A132V5254S	1
21wz	Front Door Trim Panel Assembly, LH, RHD, cloth	Doors without sill button	MY12, from vin CH_10630	A132V5253S	1
21xz	Front Door Trim Panel Assembly, RH, LHD, cloth	Doors without sill button	MY12, from vin CH_10630	A132V5256S	1
21yz	Front Door Trim Panel Assembly, LH, LHD, cloth	Doors without sill button	MY12, from vin CH_10630	A132V5255S	1
22	Screw M5 x 16 hex flg, door trim to door			A132W5016F	2



EVORA

15.18

2009/02

Service Parts List



Function Code 15.18 Interior Trim, Chassis Trim Panels

<u>Dep</u>	<u>Part Description</u>	<u>Remarks</u>	<u>Option</u>	<u>Part Number</u>	<u>Qty</u>
01	Sill Trim Panel Assembly, LH, cloth			A132V4583S	1
01a	Sill Trim Panel Assembly, LH, leather		Black	B132U4053J	1
01b	Sill Trim Panel Assembly, LH, leather		MY12 Black	A132V4515J	1
01c	Sill Trim Panel Assembly, LH, leather	Brushed aluminium kick plate	MY12 Black	A132V4523J	1
01d	Sill Trim Panel Assembly, LH, leather	Brushed aluminium kick plate	MY12 Ivory white	A132V5001S	1
01e	Sill Trim Panel Assembly, LH, leather	Brushed aluminium kick plate	MY12 Venom red	A132V5003S	1
01f	Sill Trim Panel Assembly, LH, leather	Brushed aluminium kick plate	MY12 Ash grey	A132V5005S	1
01g	Sill Trim Panel Assembly, LH, leather	Brushed aluminium kick plate	MY12 Cognac brown	A132V5007S	1
01h	Sill Trim Panel Assembly, LH, leather	Brushed aluminium kick plate	MY12 Cocoa brown	A132V5009S	1
01i	Sill Trim Panel Assembly, LH, leather	Brushed aluminium kick plate	MY12 Imperial blue	A132V5011S	1
01j	Sill Trim Panel Assembly, LH, leather	Brushed aluminium kick plate, red stitching	MY12 Black	A132V5013S	1
01k	Sill Trim Panel Assembly, LH, leather	Brushed aluminium kick plate, black stitching	MY12 Venom red	A132V5015S	1
01l	Sill Trim Panel Assembly, LH, leather	Brushed aluminium kick plate, black stitching	MY12 Cocoa brown	A132V5017S	1
01m	Sill Trim Panel Assembly, LH, leather	Brushed aluminium kick plate, black stitching	MY12 Imperial blue	A132V5019S	1
01n	Sill Trim Panel Assembly, LH, leather	Dark aluminium kick plate	MY12 Black	A132V4525J	1
01o	Sill Trim Panel Assembly, LH, leather	Dark aluminium kick plate	MY12 Ivory white	A132V5021S	1



Function Code 15.18 Interior Trim, Chassis Trim Panels

<u>Dep</u>	<u>Part Description</u>	<u>Remarks</u>	<u>Option</u>	<u>Part Number</u>	<u>Qty</u>
01p	Sill Trim Panel Assembly, LH, leather	Dark aluminium kick plate	MY12 Venom red	A132V5023S	1
01q	Sill Trim Panel Assembly, LH, leather	Dark aluminium kick plate	MY12 Ash grey	A132V5025S	1
01r	Sill Trim Panel Assembly, LH, leather	Dark aluminium kick plate	MY12 Cognac brown	A132V5027S	1
01s	Sill Trim Panel Assembly, LH, leather	Dark aluminium kick plate	MY12 Cocoa brown	A132V5029S	1
01t	Sill Trim Panel Assembly, LH, leather	Dark aluminium kick plate	MY12 Imperial blue	A132V5031S	1
01u	Sill Trim Panel Assembly, LH, leather	Dark aluminium kick plate, red stitching	MY12 Black	A132V5033S	1
01v	Sill Trim Panel Assembly, LH, leather	Dark aluminium kick plate, black stitching	MY12 Venom red	A132V5035S	1
01w	Sill Trim Panel Assembly, LH, leather	Dark aluminium kick plate, black stitching	MY12 Cocoa brown	A132V5037S	1
01x	Sill Trim Panel Assembly, LH, leather	Dark aluminium kick plate, black stitching	MY12 Imperial blue	A132V5039S	1
02	Sill Trim Panel Assembly, RH, cloth			A132V4584S	1
02a	Sill Trim Panel Assembly, RH, leather		Black	B132U4054J	1
02b	Sill Trim Panel Assembly, RH, leather		MY12 Black	A132V4516J	1
02c	Sill Trim Panel Assembly, RH, leather	Brushed aluminium kick plate	MY12 Black	A132V4524J	1
02d	Sill Trim Panel Assembly, RH, leather	Brushed aluminium kick plate	MY12 Ivory white	A132V5002S	1
02e	Sill Trim Panel Assembly, RH, leather	Brushed aluminium kick plate	MY12 Venom red	A132V5004S	1
02f	Sill Trim Panel Assembly, RH, leather	Brushed aluminium kick plate	MY12 Ash grey	A132V5006S	1
02g	Sill Trim Panel Assembly, RH, leather	Brushed aluminium kick plate	MY12 Cognac brown	A132V5008S	1
02h	Sill Trim Panel Assembly, RH, leather	Brushed aluminium kick plate	MY12 Cocoa brown	A132V5010S	1



Function Code 15.18 Interior Trim, Chassis Trim Panels

<u>Dep</u>	<u>Part Description</u>	<u>Remarks</u>	<u>Option</u>	<u>Part Number</u>	<u>Qty</u>
02i	Sill Trim Panel Assembly, RH, leather	Brushed aluminium kick plate	MY12 Imperial blue	A132V5012S	1
02j	Sill Trim Panel Assembly, RH, leather	Brushed aluminium kick plate, red stitching	MY12 Black	A132V5014S	1
02k	Sill Trim Panel Assembly, RH, leather	Brushed aluminium kick plate, black stitching	MY12 Venom red	A132V5016S	1
02l	Sill Trim Panel Assembly, RH, leather	Brushed aluminium kick plate, black stitching	MY12 Cocoa brown	A132V5018S	1
02m	Sill Trim Panel Assembly, RH, leather	Brushed aluminium kick plate, black stitching	MY12 Imperial blue	A132V5020S	1
02n	Sill Trim Panel Assembly, RH, leather	Dark aluminium kick plate	MY12 Black	A132V4526J	1
02o	Sill Trim Panel Assembly, RH, leather	Dark aluminium kick plate	MY12 Ivory white	A132V5022S	1
02p	Sill Trim Panel Assembly, RH, leather	Dark aluminium kick plate	MY12 Venom red	A132V5024S	1
02q	Sill Trim Panel Assembly, RH, leather	Dark aluminium kick plate	MY12 Ash grey	A132V5026S	1
02r	Sill Trim Panel Assembly, RH, leather	Dark aluminium kick plate	MY12 Cognac brown	A132V5028S	1
02s	Sill Trim Panel Assembly, RH, leather	Dark aluminium kick plate	MY12 Cocoa brown	A132V5030S	1
02t	Sill Trim Panel Assembly, RH, leather	Dark aluminium kick plate	MY12 Imperial blue	A132V5032S	1
02u	Sill Trim Panel Assembly, RH, leather	Dark aluminium kick plate, red stitching	MY12 Black	A132V5034S	1
02v	Sill Trim Panel Assembly, RH, leather	Dark aluminium kick plate, black stitching	MY12 Venom red	A132V5036S	1
02w	Sill Trim Panel Assembly, RH, leather	Dark aluminium kick plate, black stitching	MY12 Cocoa brown	A132V5038S	1
02x	Sill Trim Panel Assembly, RH, leather	Dark aluminium kick plate, black stitching	MY12 Imperial blue	A132V5040S	1



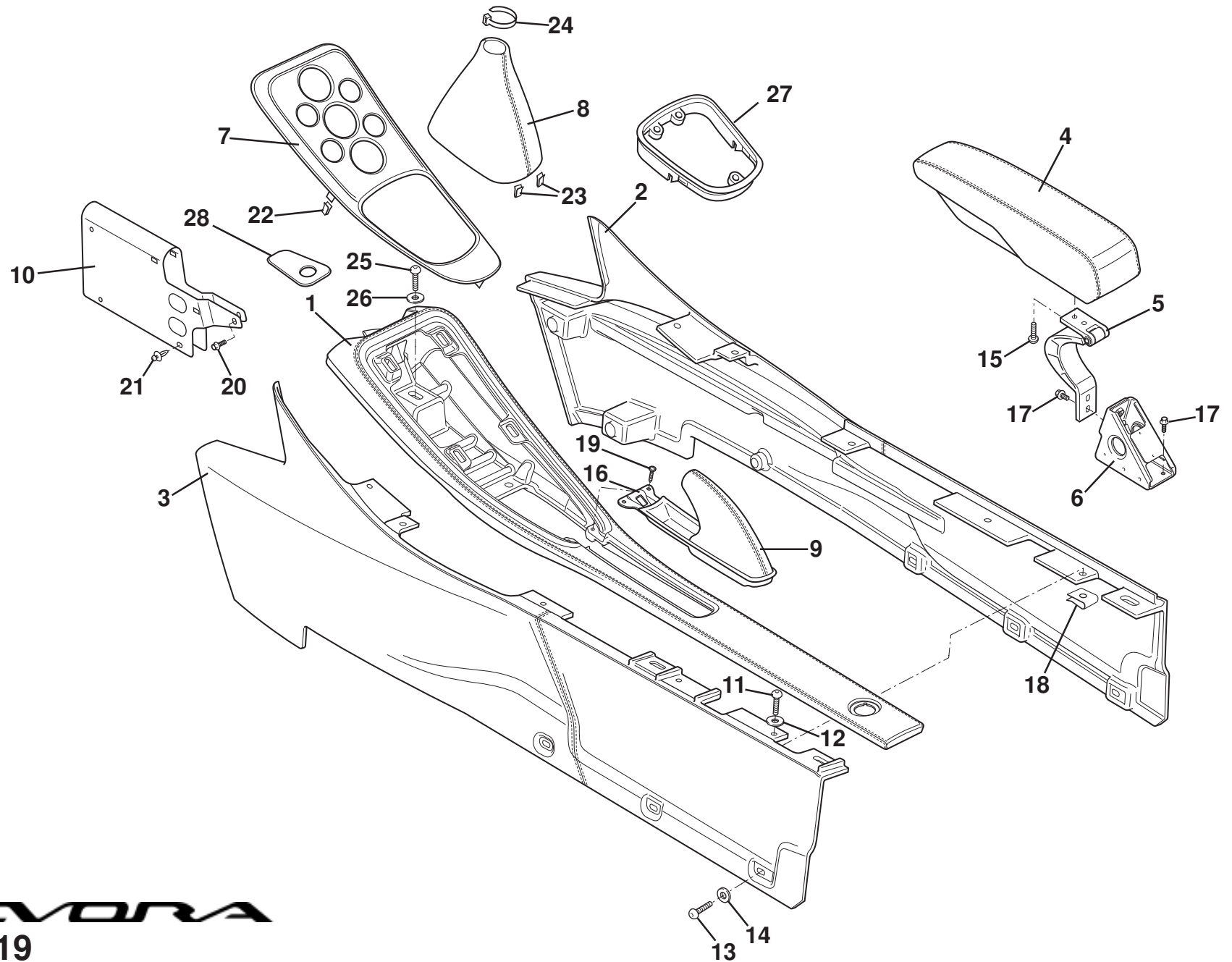
Function Code 15.18 Interior Trim, Chassis Trim Panels

<u>Dep</u>	<u>Part Description</u>	<u>Remarks</u>	<u>Option</u>	<u>Part Number</u>	<u>Qty</u>
03	Trim Panel, 'A' post lower, LH, cloth			A132V4559S	1
03a	Trim Panel, 'A' post lower, LH, leather		Black	A132V4563S	1
03b	Trim Panel, 'A' post lower, LH, leather		MY12 Ivory white	A132V4865S	1
03c	Trim Panel, 'A' post lower, LH, leather		MY12 Venom red	A132V4867S	1
03d	Trim Panel, 'A' post lower, LH, leather		MY12 Ash grey	A132V4869S	1
03e	Trim Panel, 'A' post lower, LH, leather		MY12 Cognac brown	A132V4871S	1
03f	Trim Panel, 'A' post lower, LH, leather		MY12 Cocoa brown	A132V4873S	1
03g	Trim Panel, 'A' post lower, LH, leather		MY12 Imperial blue	A132V4875S	1
03h	Trim Panel, 'A' post lower, LH, suedetex		MY12 Suedetex slate grey	A132V4877S	1
03i	Trim Panel, 'A' post lower, LH, leather	Red stiching	MY12 Black	A132V4879S	1
03j	Trim Panel, 'A' post lower, LH, leather	Black stitching	MY12 Venom red	A132V4881S	1
03k	Trim Panel, 'A' post lower, LH, leather	Black stitching	MY12 Cocoa brown	A132V4883S	1
03l	Trim Panel, 'A' post lower, LH, leather	Black stitching	MY12 Imperial blue	A132V4885S	1
04	Trim Panel, 'A' post lower, RH, cloth			A132V4560S	1
04a	Trim Panel, 'A' post lower, RH, leather		Black	A132V4564S	1
04b	Trim Panel, 'A' post lower, LH, leather		MY12 Ivory white	A132V4566S	1
04c	Trim Panel, 'A' post lower, LH, leather		MY12 Venom red	A132V4568S	1
04d	Trim Panel, 'A' post lower, LH, leather		MY12 Ash grey	A132V4570S	1
04e	Trim Panel, 'A' post lower, LH, leather		MY12 Cognac brown	A132V4572S	1
04f	Trim Panel, 'A' post lower, LH, leather		MY12 Cocoa brown	A132V4574S	1
04g	Trim Panel, 'A' post lower, LH, leather		MY12 Imperial blue	A132V4576S	1



Function Code 15.18 Interior Trim, Chassis Trim Panels

<u>Dep</u>	<u>Part Description</u>	<u>Remarks</u>	<u>Option</u>	<u>Part Number</u>	<u>Qty</u>
04h	Trim Panel, 'A' post lower, LH, suedetex		MY12 Suedetex slate grey	A132V4578S	1
04i	Trim Panel, 'A' post lower, LH, leather	Red stitching	MY12 Black	A132V4580S	1
04j	Trim Panel, 'A' post lower, LH, leather	Black stitching	MY12 Venom red	A132V4582S	1
04k	Trim Panel, 'A' post lower, LH, leather	Black stitching	MY12 Cocoa brown	A132V4584S	1
04l	Trim Panel, 'A' post lower, LH, leather	Black stitching	MY12 Imperial blue	A132V4586S	1
05	Trim, bodyside door sill, LH			A132U4429F	1
06	Trim, bodyside door sill, RH			A132U4430F	1
07	Plastic Fastener, 'A' post trim panel to chassis			A100W6391F	8
08	Fir Tree Fastener, sill trim panel to chassis			A124W6812F	4
09	Grip Lok, self adhesive, loop, 20mm	Cut to fit		A111V6019V	1.8M
09a	Grip Lok, self adhesive, hook, 20mm	Cut to fit		A111V6020V	1.8M
10	Double Sided Tape, 12.7mm, bodyside trim panel to chassis	Cut to fit		C075U6071V	1.45M



EVORA
15.19

Updated 21st February 2012

Service Parts List



Function Code 15.19 Centre Tunnel Trim, Gear Lever Gaiters/Shrouds

<u>Dep</u>	<u>Part Description</u>	<u>Remarks</u>	<u>Option</u>	<u>Part Number</u>	<u>Qty</u>
01	Centre Console, upper, no armrest, leather		Black	A132V0070J	1
01a	Centre Console, upper, no armrest, leather		Paprika	A132V0267S	1
01b	Centre Console, upper, no armrest, leather		Oyster	A132V0268S	1
01c	Centre Console, upper, no armrest, leather		Graphite	A132V0269S	1
01d	Centre Console, upper, no armrest, leather		Chestnut	A132V0270S	1
01e	Centre Console, upper, no armrest, leather		Cocobolo	A132V0368S	1
01f	Centre Console, upper, armrest, leather		Black	A132V0216J	1
01g	Centre Console, upper, armrest, leather		Paprika	A132V0352S	1
01h	Centre Console, upper, armrest, leather		Oyster	A132V0353S	1
01i	Centre Console, upper, armrest, leather		Graphite	A132V0354S	1
01j	Centre Console, upper, armrest, leather		Chestnut	A132V0355S	1
01k	Centre Console, upper, armrest, leather		Cocobolo	A132V0369S	1
01l	Centre Console, upper, no armrest, leather		MY12, Ivory White	A132V0651S	1
01m	Centre Console, upper, no armrest, leather		MY12, Venom Red	A132V0652S	1
01n	Centre Console, upper, no armrest, leather		MY12, Ash Gray	A132V0653S	1
01o	Centre Console, upper, no armrest, leather		MY12, Cognac Brown	A132V0654S	1
01p	Centre Console, upper, no armrest, leather		MY12, Cocoa Brown	A132V0655S	1
01q	Centre Console, upper, no armrest, leather		MY12, Imperial Blue	A132V0656S	1



Function Code 15.19 Centre Tunnel Trim, Gear Lever Gaiters/Shrouds

<u>Dep</u>	<u>Part Description</u>	<u>Remarks</u>	<u>Option</u>	<u>Part Number</u>	<u>Qty</u>
01r	Centre Console, upper, no armrest, suedetex		MY12, Suedetex Slate Grey	A132V0657S	1
01s	Centre Console, upper, no armrest, leather	Red pipe carbon	MY12, Black	A132V0658S	1
01t	Centre Console, upper, no armrest, leather	Black pipe carbon	MY12, Venom Red	A132V0659S	1
01u	Centre Console, upper, no armrest, leather	Black pipe carbon	MY12, Imperial Blue	A132V0660S	1
01v	Centre Console, upper, no armrest, leather	Black pipe carbon	MY12, Cocoa Brown	A132V0661S	1
01w	Centre Console, upper, armrest, leather		MY12, Ivory White	A132V0662S	1
01x	Centre Console, upper, armrest, leather		MY12, Venom Red	A132V0663S	1
01y	Centre Console, upper, armrest, leather		MY12, Ash Gray	A132V0664S	1
01z	Centre Console, upper, armrest, leather		MY12, Cognac Brown	A132V0665S	1
01az	Centre Console, upper, armrest, leather		MY12, Cocoa Brown	A132V0666S	1
01bz	Centre Console, upper, armrest, leather		MY12, Imperial Blue	A132V0667S	1
01cz	Centre Console, upper, armrest, suedetex		MY12, Suedetex Slate Grey	A132V0668S	1
01dz	Centre Console, upper, armrest, leather	Red pipe carbon	MY12, Black	A132V0669S	1
01fz	Centre Console, upper, armrest, leather	Black pipe carbon	MY12, Venom Red	A132V0670S	1
01fz	Centre Console, upper, armrest, leather	Black pipe carbon	MY12, Imperial Blue	A132V0671S	1
01gz	Centre Console, upper, armrest, leather	Black pipe carbon	MY12, Cocoa Brown	A132V0672S	1
01hz	Centre Console, upper, armrest, suedetex	Red stitching		A132V0750S	1
02	Centre Console, side, LH no armrest, cloth	Without power socket aperture		A132V4561S	1
02a	Centre Console, side, LH no armrest, leather	Without power socket aperture	Black	A132V4431S	1
02b	Centre Console, side, LH armrest, leather	Without power socket aperture	Black	A132V4433S	1
02c	Centre Console, side, LH no armrest, cloth	With power socket aperture	MY11	A132V4897S	1



Function Code 15.19 Centre Tunnel Trim, Gear Lever Gaiters/Shrouds

<u>Dep</u>	<u>Part Description</u>	<u>Remarks</u>	<u>Option</u>	<u>Part Number</u>	<u>Qty</u>
02d	Centre Console, side, LH no armrest, leather	With power socket aperture	MY11,Black	A132V4899S	1
02e	Centre Console, side, LH armrest, leather	With power socket aperture	MY11,Black	A132V4901S	1
02f	Centre Console, side, LH armrest, leather	With power socket aperture	MY12, Ivory White	A132V4961S	1
02g	Centre Console, side, LH armrest, leather	With power socket aperture	MY12, Venom Red	A132V4963S	1
02h	Centre Console, side, LH armrest, leather	With power socket aperture	MY12, Ash Gray	A132V4965S	1
02i	Centre Console, side, LH armrest, leather	With power socket aperture	MY12, Cognac Brown	A132V4967S	1
02j	Centre Console, side, LH armrest, leather	With power socket aperture	MY12, Cocoa Brown	A132V4969S	1
02k	Centre Console, side, LH armrest, leather	With power socket aperture	MY12, Imperial Blue	A132V4971S	1
02l	Centre Console, side, LH armrest, suedetex	With power socket aperture	MY12, Suedetex Slate Grey	A132V4973S	1
02m	Centre Console, side, LH armrest, leather	Red stitching, with power socket aperture	MY12, Black	A132V4975S	1
02n	Centre Console, side, LH armrest, leather	Black stitching, with power socket aperture	MY12, Venom Red	A132V4977S	1
02o	Centre Console, side, LH armrest, leather	Black stitching, with power socket aperture	MY12, Imperial Blue	A132V4979S	1
02p	Centre Console, side, LH armrest, leather	Black stitching, with power socket aperture	MY12, Cocoa Brown	A132V4981S	1
03	Centre Console, side, RH no armrest, cloth	Without power socket aperture		A132V4562S	1
03a	Centre Console, side, RH no armrest, leather	Without power socket aperture	Black	A132V4432S	1
03b	Centre Console, side, RH armrest, leather	Without power socket aperture	Black	A132V4434S	1
03c	Centre Console, side, RH no armrest, cloth	With power socket aperture	MY11	A132V4898S	1
03d	Centre Console, side, RH no armrest, leather	With power socket aperture	MY11,Black	A132V4900S	1



Function Code 15.19 Centre Tunnel Trim, Gear Lever Gaiters/Shrouds

<u>Dep</u>	<u>Part Description</u>	<u>Remarks</u>	<u>Option</u>	<u>Part Number</u>	<u>Qty</u>
03e	Centre Console, side, RH armrest, leather	With power socket aperture	MY11,Black	A132V4902S	1
03f	Centre Console, side, RH armrest, leather	With power socket aperture	MY12, Ivory White	A132V4962S	1
03g	Centre Console, side, RH armrest, leather	With power socket aperture	MY12, Venom Red	A132V4964S	1
03h	Centre Console, side, RH armrest, leather	With power socket aperture	MY12, Ash Gray	A132V4966S	1
03i	Centre Console, side, RH armrest, leather	With power socket aperture	MY12, Cognac Brown	A132V4968S	1
03j	Centre Console, side, RH armrest, leather	With power socket aperture	MY12, Cocoa Brown	A132V4970S	1
03k	Centre Console, side, RH armrest, leather	With power socket aperture	MY12, Imperial Blue	A132V4972S	1
03l	Centre Console, side, RH armrest, suedetex	With power socket aperture	MY12, Suedetex Slate Grey	A132V4974S	1
03m	Centre Console, side, RH armrest, leather	Red stitching, with power socket aperture	MY12, Black	A132V4976S	1
03n	Centre Console, side, RH armrest, leather	Black stitching, with power socket aperture	MY12, Venom Red	A132V4978S	1
03o	Centre Console, side, RH armrest, leather	Black stitching, with power socket aperture	MY12, Imperial Blue	A132V4980S	1
03p	Centre Console, side, RH armrest, leather	Black stitching, with power socket aperture	MY12, Cocoa Brown	A132V4982S	1
04	Armrest Assembly, leather		Black	A132V0271S	1
04a	Armrest Assembly, leather		Paprika	A132V0272S	1
04b	Armrest Assembly, leather		Oyster	A132V0273S	1
04c	Armrest Assembly, leather		Graphite	A132V0274S	1
04d	Armrest Assembly, leather		Chestnut	A132V0275S	1
04e	Armrest Assembly, leather		Cocobolo	A132V0370S	1



Function Code 15.19 Centre Tunnel Trim, Gear Lever Gaiters/Shrouds

<u>Dep</u>	<u>Part Description</u>	<u>Remarks</u>	<u>Option</u>	<u>Part Number</u>	<u>Qty</u>
04f	Armrest Assembly, leather		MY12, Ivory White	A132V0681S	1
04g	Armrest Assembly, leather		MY12, Venom Red	A132V0682S	1
04h	Armrest Assembly, leather		MY12, Ash Gray	A132V0683S	1
04i	Armrest Assembly, leather		MY12, Cognac Brown	A132V0684S	1
04j	Armrest Assembly, leather		MY12, Cocoa Brown	A132V0685S	1
04k	Armrest Assembly, leather		MY12, Imperial Blue	A132V0686S	1
04l	Armrest Assembly, suedetex		MY12, Suedetex Slate Grey	A132V0687S	1
04m	Armrest Assembly, leather	Red pipe carbon	MY12, Black	A132V0688S	1
04n	Armrest Assembly, leather	Black pipe carbon	MY12, Venom Red	A132V0689S	1
04o	Armrest Assembly, leather	Black pipe carbon	MY12, Imperial Blue	A132V0691S	1
04p	Armrest Assembly, leather	Black pipe carbon	MY12, Cocoa Brown	A132V0690S	1
04q	Armrest Assembly, suedetex	Red stitching		A132V0751S	1
05	Hinge Assembly, armrest			C132U0162J	1
06	Bracket , armrest mounting			A132V0209F	1
07	Panel, HVAC finisher, manual	brushed aluminium, includes gearshift etching		A132V0087F	1
07a	Panel, HVAC finisher, auto	brushed aluminium	Also manual with round knob	A132U0656F	1
07b	Panel, HVAC finisher, manual, black	Includes gearshift etching	MY12	A132U0641F	1
07c	Panel, HVAC finisher, auto, black		MY12, Also manual with round knob	A132U0654F	1
08	Gaiter, gearlever, leather	Requires bonding to finisher	Black	A132V0002K	1



Function Code 15.19 Centre Tunnel Trim, Gear Lever Gaiters/Shrouds

<u>Dep</u>	<u>Part Description</u>	<u>Remarks</u>	<u>Option</u>	<u>Part Number</u>	<u>Qty</u>
08a	Gaiter, gearlever, suedetex	Requires bonding to finisher		A132V0349K	1
08b	Assembly Gaiter Gearlever, leather		MY12, Black	A132V0002V	1
08c	Assembly Gaiter Gearlever, leather		MY12, Ivory White	A132V0692S	1
08d	Assembly Gaiter Gearlever, leather		MY12, Venom Red	A132V0693S	1
08e	Assembly Gaiter Gearlever, leather		MY12, Ash Gray	A132V0694S	1
08f	Assembly Gaiter Gearlever, leather		MY12, Cognac Brown	A132V0695S	1
08g	Assembly Gaiter Gearlever, leather		MY12, Cocoa Brown	A132V0696S	1
08h	Assembly Gaiter Gearlever, suedetex		MY12, Suedetex Slate Grey	A132V0697S	1
08i	Assembly Gaiter Gearlever, leather		MY12, Imperial Blue	A132V0698S	1
08j	Assembly Gaiter Gearlever, leather	Red stitching	MY12, Black	A132V0699S	1
08jk	Assembly Gaiter Gearlever, leather	Black stitching	MY12, Venom Red	A132V0700S	1
08l	Assembly Gaiter Gearlever, leather	Black stitching	MY12, Imperial Blue	A132V0702S	1
08m	Assembly Gaiter Gearlever, leather	Black stitching	MY12, Cocoa Brown	A132V0701S	1
08n	Assembly Gaiter Gearlever, suedetex	Red stitching		A132V0752S	1
09	Gaiter, parking brake lever, leather		Black	A132V0266S	1
09a	Gaiter, parking brake lever, suedetex		Suedetex Slate Grey	A132V0708S	1
09b	Gaiter, parking brake lever, leather		MY12, Ivory White	A132V0703S	1
09c	Gaiter, parking brake lever, leather		MY12, Venom Red	A132V0704S	1
09d	Gaiter, parking brake lever, leather		MY12, Ash Gray	A132V0705S	1
09e	Gaiter, parking brake lever, leather		MY12, Cognac Brown	A132V0706S	1
09f	Gaiter, parking brake lever, leather		MY12, Cocoa Brown	A132V0707S	1



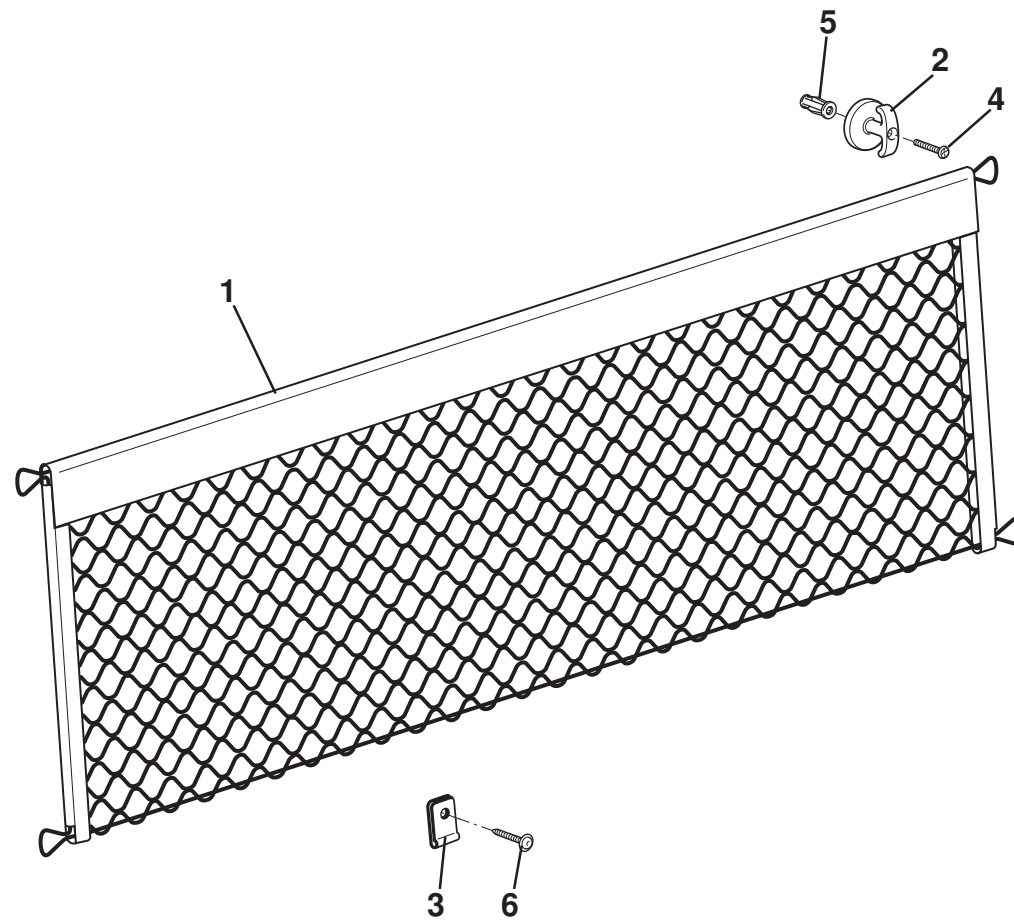
Function Code 15.19 Centre Tunnel Trim, Gear Lever Gaiters/Shrouds

<u>Dep</u>	<u>Part Description</u>	<u>Remarks</u>	<u>Option</u>	<u>Part Number</u>	<u>Qty</u>
09g	Gaiter, parking brake lever, leather		MY12, Imperial Blue	A132V0709S	1
09h	Gaiter, parking brake lever, leather	Red stitching	MY12, Black	A132V0710S	1
09i	Gaiter, parking brake lever, leather	Black stitching	MY12, Venom Red	A132V0711S	1
09j	Gaiter, parking brake lever, leather	Black stitching	MY12, Imperial Blue	A132V0712S	1
09k	Gaiter, parking brake lever, leather	Black stitching	MY12, Cocoa Brown	A132V0713S	1
09l	Gaiter, parking brake lever, suedetex	Red stitching		A132V0753S	1
10	Footwell Divider Panel, alloy			A132U0178F	1
11	Screw, M5 x 15, pan pozi. hd., console LH to RH			A082W5107F	6
12	Washer, flat, M5 x 19 x 1.4, S/S black, console LH to RH			B082W4107F	6
13	Screw, black, console to channel			A082W5185F	6
14	Washer, flat, black, console to channel			A082W5107F	6
15	Screw, M6 x 16, button hd. S/S, hinge to armrest			A122W5282F	2
16	Insert, less gaiter			A132V0071F	1
17	Bolt, M6 x 16, hex. flg. hd., hinge to bracket			A918W5208F	2
18	Spirenut, M5, console LH to RH			B100W6372F	6
19	Screw, No.6 x 0.5", flg. pozi, black gaiter assy. fix.			A075W5012F	2
20	Screw, M5 x 16, hex., flg. hd., panel to chassis			A132W5016F	2
21	Plastic Fastener, panel to chassis			A111W6534F	4
22	Spring Clip, panel retention			A132W6019F	5
23	Edge Fastener, gearlever & park brake gaiter retention	6 off for gearlever gaiter		A132W6056F	10
24	Cable Tie, gaiter to lever			A075W6038Z	1



Function Code 15.19 Centre Tunnel Trim, Gear Lever Gaiters/Shrouds

<u>Dep</u>	<u>Part Description</u>	<u>Remarks</u>	<u>Option</u>	<u>Part Number</u>	<u>Qty</u>
25	Screw, M5 x 20, button hd. S/S, console upper fixing			A082W7173F	1
26	Washer, flat, M5 x 19 x 1.4, S/S black, console upper fixing			B082W4107F	1
27	Bezel Gearshift, manual		MY12	A132V0374F	1
28	Auxillary Power Bracket Assembly, leather		Black	A132U0748J	1
28a	Auxillary Power Bracket Assembly, leather		MY12, Ivory White	A132V0785S	1
28b	Auxillary Power Bracket Assembly, leather		MY12, Venom Red	A132V0786S	1
28c	Auxillary Power Bracket Assembly, leather		MY12, Ash Gray	A132V0787S	1
28d	Auxillary Power Bracket Assembly, leather		MY12, Cognac Brown	A132V0788S	1
28e	Auxillary Power Bracket Assembly, leather		MY12, Cocoa Brown	A132V0789S	1
28f	Auxillary Power Bracket Assembly, suedetex		MY12, Suedetex Slate Grey	A132V0790S	1
28g	Auxillary Power Bracket Assembly, leather		MY12, Imperial Blue	A132V0791S	1



EVORA

15.23

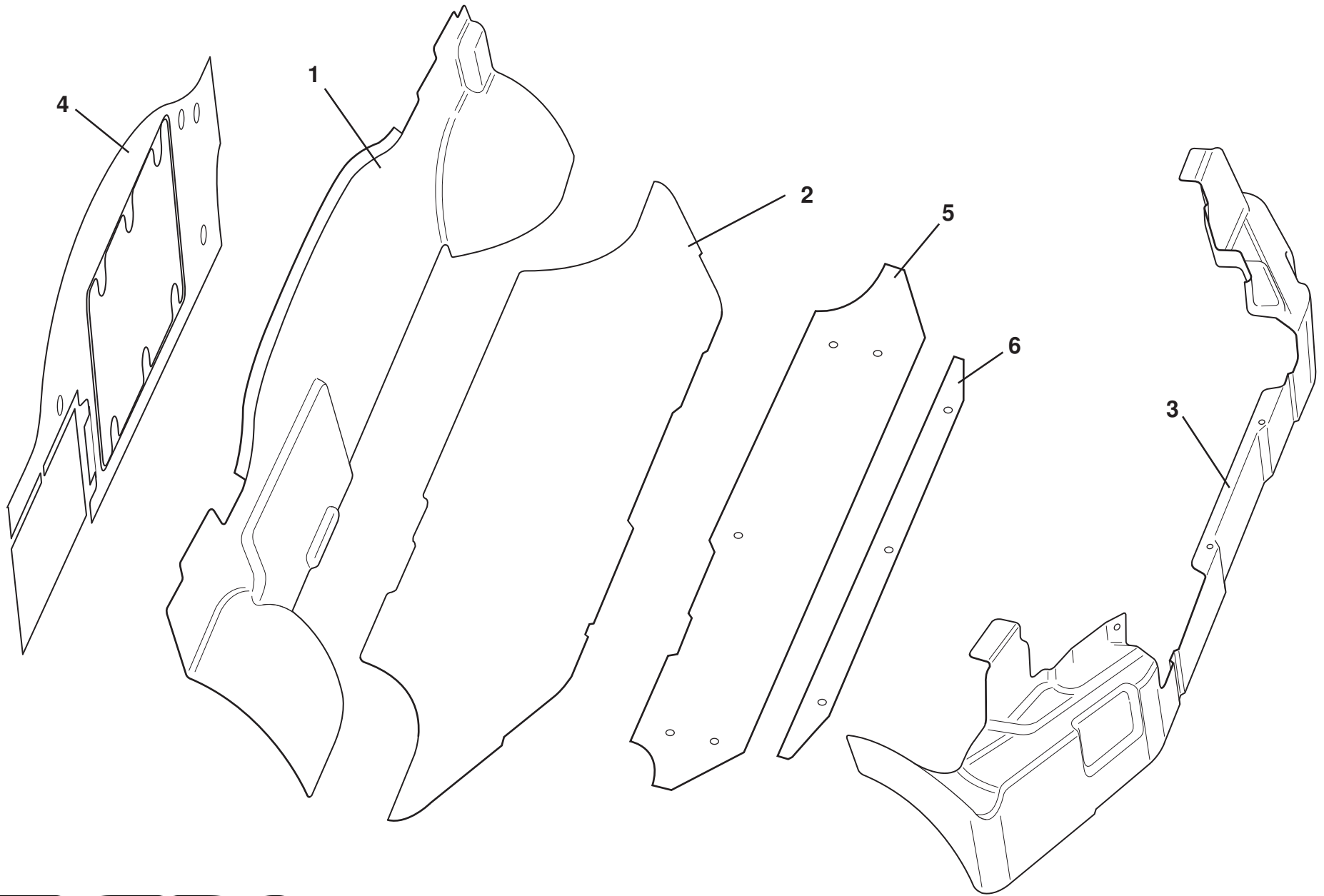
2010/01

Service Parts List



Function Code 15.23 Luggage Compartment Stowage

<u>Dep</u>	<u>Part Description</u>	<u>Remarks</u>	<u>Option</u>	<u>Part Number</u>	<u>Qty</u>
01	Stowage Net, boot			A132U0353F	1
02	'T' Anchor, stowage net retention			A132V6037F	4
03	'P' Clip, plastic, 4mm, stowage net lower retention			A132W6048F	2
04	Screw, M4 x 35, pan, pozi. hd. black, anchor fixing			A132W5031F	4
05	Jacknut, M4, anchor fixing			A132W6045F	4
06	Screw, M6 x 20, flg. button hd. S/S black, 'P' clip fixing			A100W7096F	2



EVORA

15.24

Updated 4th November 2011

Service Parts List

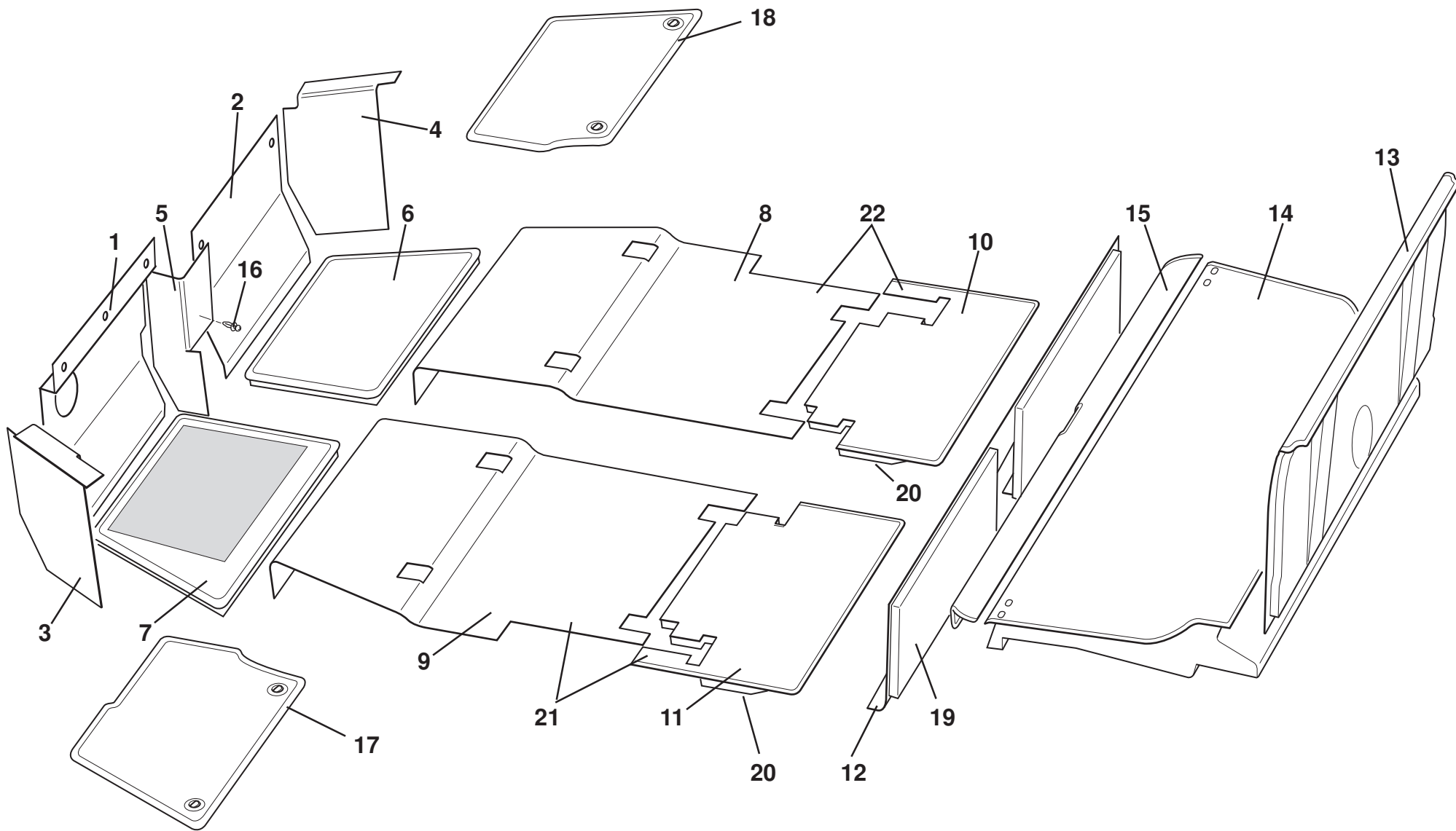
EVORA



Function Code 15.24 Luggage Compartment Carpet

<u>Dep</u>	<u>Part Description</u>	<u>Remarks</u>	<u>Option</u>	<u>Part Number</u>	<u>Qty</u>
01	Carpet, moulded, bootbox front	Without cutout for battery cover		C132U0049F	1
01a	Carpet, moulded, bootbox front	With cutout for battery cover		E132U0049F	1
02	Carpet Assembly, bootbox floor			B132U0286K	1
03	Carpet, moulded, bootbox rear			B132U0285F	1
04	Insulation, bootbox front	Trim to use		B132U0535F	1
05	Insulation, boot floor			B132U0164 F	1
06	Insulation, boot floor, rear			A132U0355F	1

EVORA



EVORA

15.30

Updated 27th September 2012

Service Parts List

EVORA



Function Code 15.30 Carpeting & Mats

<u>Dep</u>	<u>Part Description</u>	<u>Remarks</u>	<u>Option</u>	<u>Part Number</u>	<u>Qty</u>
01	Carpet, front bulkhead, driver, LHD (except USA/Canada)	Seperate metal footrest, see note below*	A132V4009K R/B	A132V0361S	1
01a	Carpet, front bulkhead, driver, RHD	Seperate metal footrest, see note below*	A132V4010K R/B	A132V0362S	1
01b	Carpet, front bulkhead, driver, LHD	With foam footrest, see note below*	B132V4009K R/B	C132V4009K	1
01c	Carpet, front bulkhead, driver, RHD	With foam footrest, see note below*	B132V4010K R/B	C132V0410K	1
01d	Carpet, front bulkhead, driver, LHD		Auto	B132V0342K	1
02	Carpet, front bulkhead, passenger, LHD			A132V4019K	1
02a	Carpet, front bulkhead, passenger, RHD			A132V4020K	1
02b	Carpet, footrest, passenger, LHD		USA	A132V0313J	1
03	Carpet, sill, LH, LHD			B132V4007K	1
03a	Carpet, sill, LH, RHD			B132V4121K	1
04	Carpet, sill, RH, LHD			B132V4008K	1
04a	Carpet, sill, RH, RHD			B132V4122K	1
05	Carpet, centre console, LHD			B132V4157K	1
05a	Carpet, centre console, RHD			B132V4158K	1
05b	Carpet, centre console, LHD	Incorporating hole for footwell duct	From vin BH_11673	C132V4157K	1
06	Carpet Assembly, passenger, front, LHD			A132V4105J	1

EVORA

Function Code 15.30 Carpeting & Mats

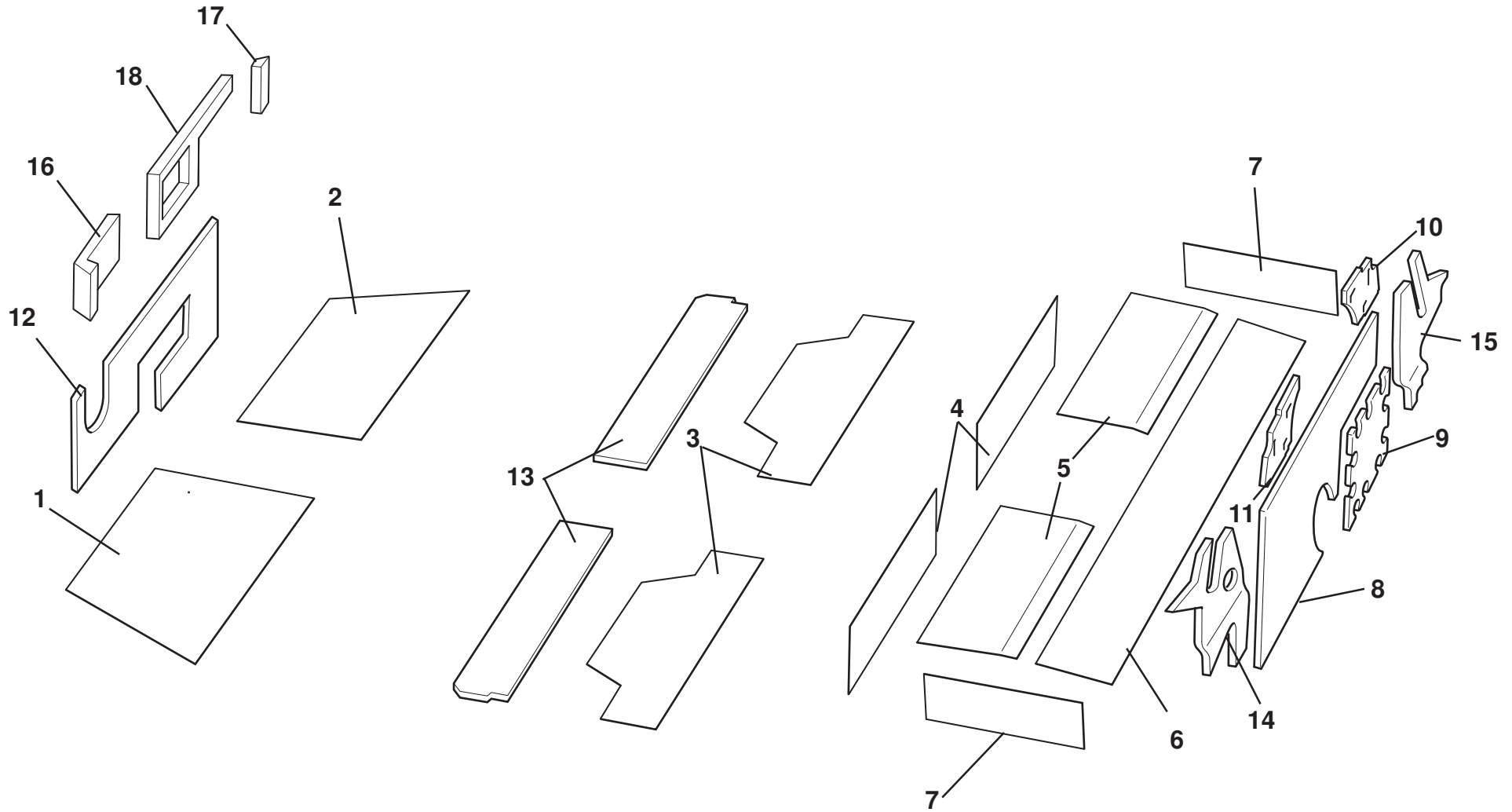
<u>Dep</u>	<u>Part Description</u>	<u>Remarks</u>	<u>Option</u>	<u>Part Number</u>	<u>Qty</u>
06a	Carpet Assembly, passenger, front, RHD			A132V4106J	1
06b	Carpet Assembly, passenger, front, LHD		USA	A132V0293J	1
06c	Carpet Assembly, passenger, front, LHD		Hot climate	B132V0311J	1
06d	Carpet Assembly, passenger, front, LHD		Gulf states	A132V0334J	1
07	Carpet Assembly, driver, front, LHD	Without foam footrest		A132V4013K	1
07a	Carpet Assembly, driver, front, LHD	With foam footrest		C132V4013J	1
07b	Carpet Assembly, driver, front, RHD	Without foam footrest		A132V4014J	1
07c	Carpet Assembly, driver, front, RHD	With foam footrest		C132V4014J	1
07d	Carpet Assembly, driver, front, LHD		Hot climate	C132V0309J	1
08	Carpet, mid floor, RH			A132V4016K	1
09	Carpet, mid floor, LH			A132V4015K	1
10	Carpet, rear floor RH			A132V4120J	1
11	Carpet, rear floor, LH			A132V4119J	1
12	Carpet, tankbay panel			A132V0081J	1
13	Trim Assembly, rear bulkhead upper		2 seat only, A132V0011J R/B	A132V0009K	1
14	Trim Assembly, rear bulkhead lower		2 seat only, A132V0006J R/B	A132V0010K	1
15	Carpet Assembly, tankbay front		2 seat only	A132V0174J	1
16	Scrivet	Used for item 05a		A111W6534F	1
17	Floor Mat & Fixings, driver frt LHD, manual, premium	Embroidered Evora, roundel	MY12	B132V0493F	1
17a	Floor Mat & Fixings, driver frt RHD, premium	Embroidered Evora, roundel	MY12	B132V0476F	1
17b	Floor Mat & Fixings, driver frt LHD, auto, premium	Embroidered Evora, roundel	MY12	B132V0479F	1



Function Code 15.30 Carpeting & Mats

<u>Dep</u>	<u>Part Description</u>	<u>Remarks</u>	<u>Option</u>	<u>Part Number</u>	<u>Qty</u>
18	Floor Mat & Fixings, passenger frt LHD, premium	Embroidered Evora, roundel	MY12	B132V0478F	1
18a	Floor Mat & Fixings, passenger frt RHD, premium	Embroidered Evora, roundel	MY12	B132V0477F	1
18b	Floor Mat & Fixings, passenger frt LHD federal, premium	Embroidered Evora, roundel	MY12, USA	B132V0492F	1
19	Foam pad, tankbay panel			A132V0022F	2
20	Foam pad, rear floor			A132V0021F	2
21	Carpet Assembly Floor LH, one piece mid and rear			A132V4519K	1
22	Carpet Assembly Floor LH, one piece mid and rear			A132V4520K	1
23	Floor Mat Fixing Kit,	Single mat set		A132V6163S	2
24	Carpet and heelpad, footrest driver auto LHD	Not illustrated bonded to footrest		A132V0337K	1
24a	Carpet and heelpad, footrest driver RHD	Not illustrated bonded to footrest		A132V0336K	1
		*Replacement driver bulkhead carpets are 35mm longer and require use of existing screws in the chassis and additional 3x A082W4131F washers (please order seperately)			





EVORA
16.01

Updated 21st December 2010

Service Parts List

EVORA



Function Code 16.01 Passenger Compartment Sound Insulation

<u>Dep</u>	<u>Part Description</u>	<u>Remarks</u>	<u>Option</u>	<u>Part Number</u>	<u>Qty</u>
01	NVH Sheet, front LH			A132V0034F	1
02	NVH Sheet, front RH			A132V0036F	1
03	NVH Sheet, rear			A132V0038F	2
04	NVH Sheet, mid tankbay			A132V0037F	2
05	NVH Sheet, tankbay, top front			A132V0040F	2
06	NVH Sheet, tankbay, top rear			A132V0041F	1
07	NVH Sheet, tankbay sides			A132V0224F	2
08	Foam Pad NVH, rear bulkhead			A132V0159F	1
09	Foam Pad NVH, rear bulkhead access panel			A132V0175F	1
10	Foam Pad NVH, bulkhead upper, RH			A132V4196F	1
11	Foam Pad NVH, bulkhead upper, LH			A132V4195F	1
12	Foam Pad NVH, bulkhead front LHD			A132V0289K	1
12a	Foam Pad NVH, bulkhead front RHD			B132V0154F	1
13	Foam Pad NVH, mid			A132V0020F	2
14	Foam Pad NVH, rear bulkhead LH			A132V0157F	1
14a	Foam Pad NVH, rear bulkhead LH 2+2			A132V0166F	1
15	Foam Pad NVH, rear bulkhead RH			A132V0158F	1
15a	Foam Pad NVH, rear bulkhead RH 2+2			A132V0166F	1

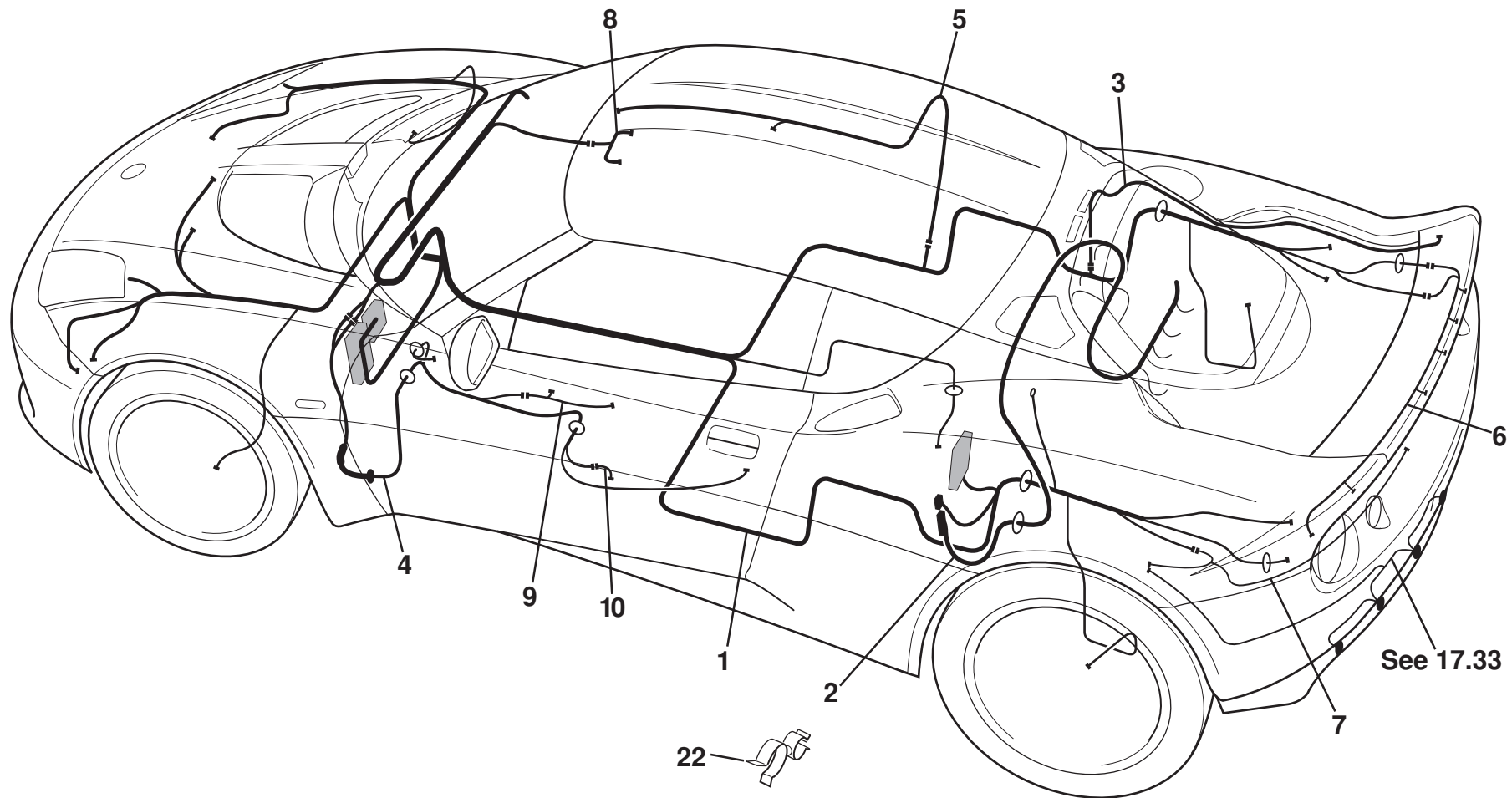
EVORA

Function Code: 16.01, Page: 1

Updated 21st December 2010

Function Code 16.01 Passenger Compartment Sound Insulation

<u>Dep</u>	<u>Part Description</u>	<u>Remarks</u>	<u>Option</u>	<u>Part Number</u>	<u>Qty</u>
16	Foam Front Baffle Passenger RHD			A132V4217F	1
16a	Foam Front Baffle Passenger LHD			A132V4043F	1
17	Foam Front Baffle Driver RHD			A132V4218F	1
17a	Foam Front Baffle Driver LHD			A132V4044F	1
18	Foam Seal, ADU, screen surround			A132P0088F	1



EVORA

17.01

Updated 16th January 2013

Service Parts List



Function Code 17.01 Harnesses, Leads

<u>Dep</u>	<u>Part Description</u>	<u>Remarks</u>	<u>Option</u>	<u>Part Number</u>	<u>Qty</u>
01	Harness, main	Non USA cars	Up to vin BH_11177	D132M0001F	1
01a	Harness, main		USA, GCC up to vin BH_11173	F132M0001F	1
01b	Harness, main		USA, GCC vin BH_11174, all markets vin BH_11178	C132M0228F	1
01c	Harness, main		Auto (NA & S/Charged)	C132M0215F	1
02	Harness, engine, manual		Up to vin BH_11177	E132M0002F	1
02a	Harness, engine, manual		All S/Charged man & all man from vin BH_11178	G132M0002F	1
02b	Harness, engine, auto		Auto (NA & S/Charged)	D132M0205F	1
03	Harness, tailgate			B132M0008F	1
04	Harness, door, passenger, RHD	Doors with sill button, not illustrated	Up to vin CH_10629	C132M0028F	1
04a	Harness, door, passenger, LHD	Doors with sill button, not illustrated	Up to vin CH_10629	C132M0030F	1
04b	Harness, door, driver, RHD	Doors with sill button, not illustrated	Up to vin CH_10629	C132M0027F	1
04c	Harness, door, driver, LHD	Doors with sill button, not illustrated	Up to vin CH_10629	C132M0029F	1
04d	Harness, door	Doors without sill button, Inteva door latch	MY12, from vin CH_10630	A132M0258F	2
05	Harness, roof			A132M0122F	1



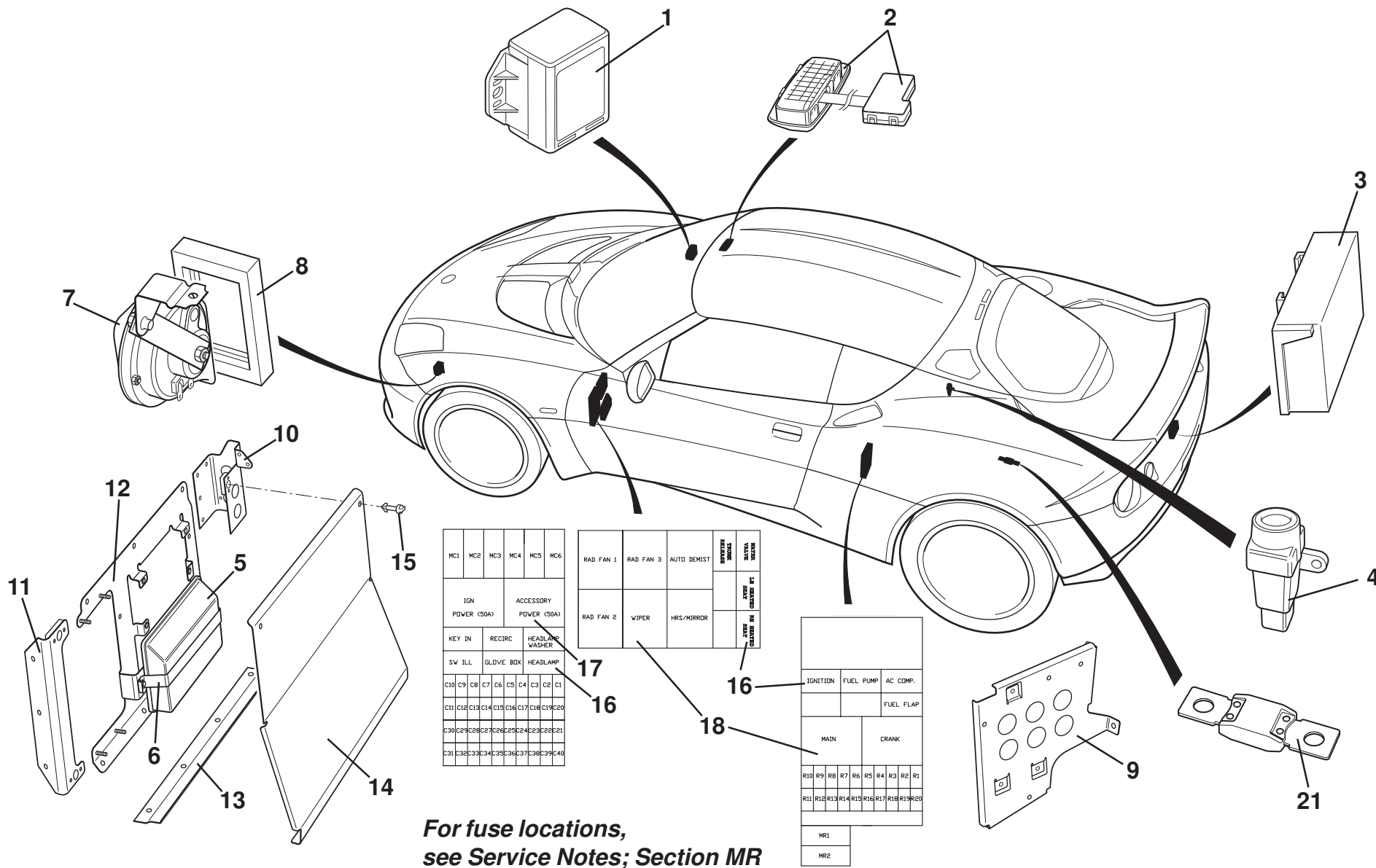
Function Code 17.01 Harnesses, Leads

<u>Dep</u>	<u>Part Description</u>	<u>Remarks</u>	<u>Option</u>	<u>Part Number</u>	<u>Qty</u>
06	Harness, rear			C132M0111F	1
07	Harness, TPMS and parking aid ECU			C132M0145F	1
08	Harness, cruise control switches			A132M6093F	1
09	Harness, door switch panel, passenger	Doors with sill button	Up to vin CH_ 10629	A132M0130F	1
09a	Harness, door switch panel, passenger	Doors without sill button, Inteva door latch	MY12, from vin CH_10630	A132M0259F	1
09b	Harness, door switch panel, driver	Doors with sill button	Up to vin CH_ 10629	A132M0129F	1
09c	Harness, door switch panel, driver LHD	Doors without sill button, Inteva door latch	MY12, from vin CH_10630	A132M4035F	1
09d	Harness, door switch panel, driver RHD	Doors without sill button, Inteva door latch	MY12, from vin CH_10630	A132M4037F	1
10	Harness, window motor			A132M0168F	2
10a	Harness, latch LH	Doors without sill button, Inteva door latch	MY12, from vin CH_10630	A132M4039F	1
10b	Harness, latch RH	Doors without sill button, Inteva door latch	MY12, from vin CH_10630	A132M4041F	1
11	Harness, radio	Not illustrated 2-DIN	Not Japan	D132M0137F	1
11a	Harness, radio, Japan	Not illustrated 2-DIN	Japan only	A132M0190F	1
11b	Harness, radio pioneer	Not illustrated 2-DIN	MY12	A132M0254F	1
11c	Harness, radio	Not illustrated 2-DIN, use for Alpine INE-W920R/INE-S920HD		A132M0326F	1
12	Harness, sub-woofer system	Not illustrated	Tech pack	B132M0135F	1
13	Harness, sat nav and bluetooth	2-DIN fixed sat nav and updates 2-DIN removable to fixed	UK/EU/ROW/USA with IVA-W900	A132M0230F	1



Function Code 17.01 Harnesses, Leads

<u>Dep</u>	<u>Part Description</u>	<u>Remarks</u>	<u>Option</u>	<u>Part Number</u>	<u>Qty</u>
14	Harness, choke link	Not illustrated	Radio 1-DIN USA	A132M0176F	1
15	Harness, crossover	Not illustrated, replaces A132M0116F crossover module		A132M0231F	1
16	Harness, steering wheel	Not illustrated	Auto (NA & S/Charged)	A132M0213F	1
17	Harness, tilt sensor	Not illustrated		A132M0212F	1
18	Braid Engine Earth	Not illustrated		B132M0007F	1
18a	Braid Engine Earth	Not illustrated	Auto (NA & S/Charged)	A132M0216F	1
19	Briad ECU Plate	Not illustrated		A132M0227F	1
20	Fuse Box Main Harness	Not illustrated		A132M0276S	1
21	Channel Sill, harness support	Not illustrated		B132M0239F	1
22	Double Cable Hose Clip, fuse box main harness			A132W6086F	4



MC1	MC2	MC3	MC4	MC5	MC6
IGN POWER (50A)			ACCESSORY POWER (50A)		
KEY IN	RECIRC	HEADLAMP WASHER			
SW ILL	GLDVE BOX	HEADLAMP			
C10	C9	C8	C7	C6	C5
C11	C12	C13	C14	C15	C16
C17	C18	C19	C20	C21	C22
C30	C29	C28	C27	C26	C25
C24	C23	C22	C21	C20	C19
C31	C32	C33	C34	C35	C36
C37	C38	C39	C40		

RAD FAN 1	RAD FAN 3	AUTO DEMIST	REVERSE MIRRORS	SEATBELT BELLS
RAD FAN 2	WIPER	HRS/MIRROR	EXTERIOR MIRRORS	EXTERIOR MIRRORS

IGNITION			FUEL PUMP			AC COMP.		
						FUEL FLAP		
MAIN				CRANK				
R10	R9	R8	R7	R6	R5	R4	R3	R2
R11	R12	R13	R14	R15	R16	R17	R18	R19
MR1								
MR2								

For fuse locations, see Service Notes; Section MR

EVORA
17.03

Updated 4th November 2011

Service Parts List



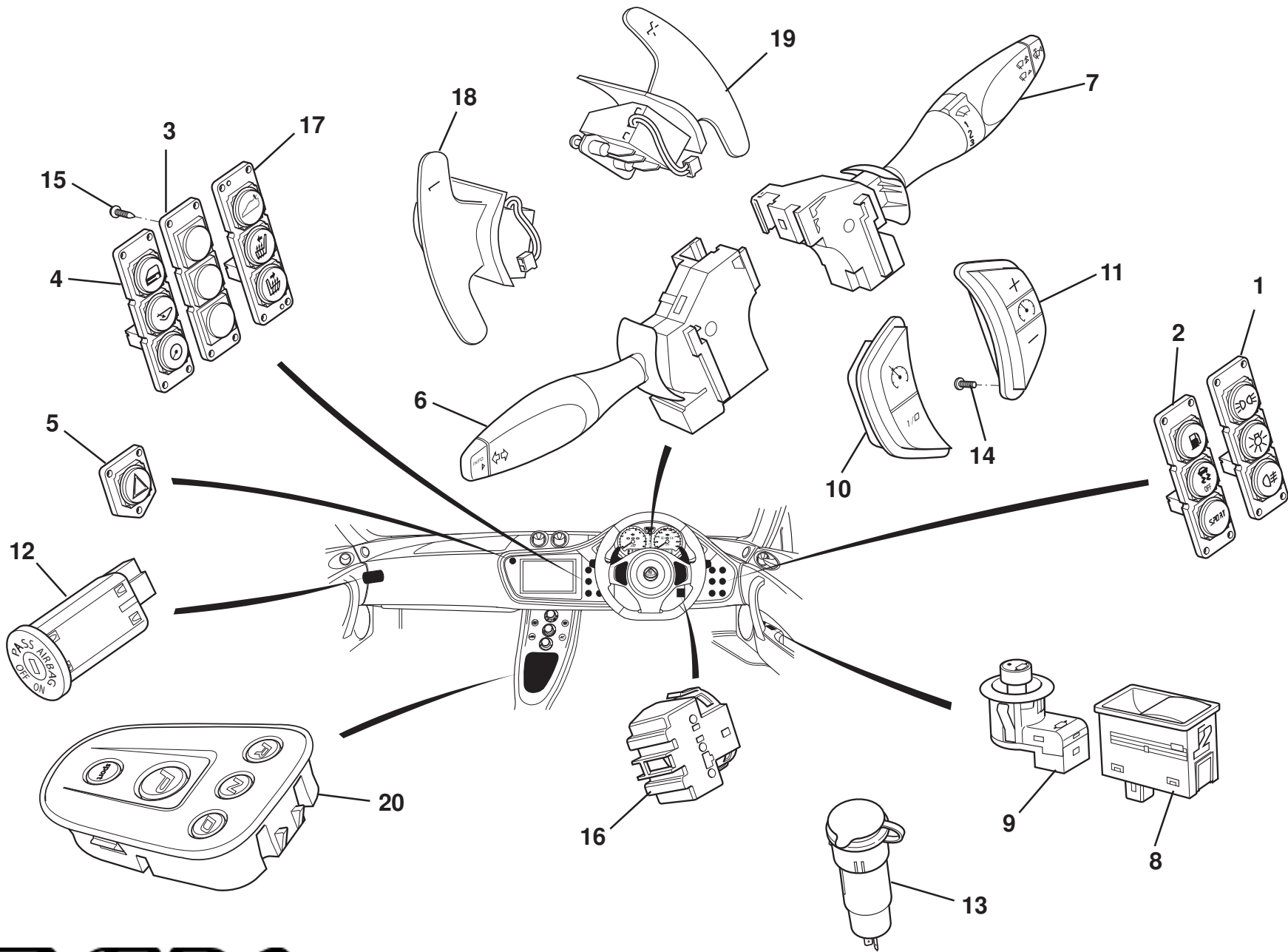
Function Code 17.03 Horn, Inertia Switch, Modules, Fuses & Relays

<u>Dep</u>	<u>Part Description</u>	<u>Remarks</u>	<u>Option</u>	<u>Part Number</u>	<u>Qty</u>
01	Module, door locking			A132M0118F	1
02	Homelink Kit, non-USA, grey			A132M0110F	1
02a	Homelink Kit, USA, grey			A132M0136F	1
02b	Homelink Kit, non-USA, beige			A132M0156F	1
02c	Homelink Kit, USA, beige			A132M0157F	1
02d	Homelink Kit, non-USA, black		MY12	A132M0242F	1
02e	Homelink Kit, USA, black		MY12	A132M0243F	1
03	Module, TPMS			A121M6022F	1
03a	Adhesive Tape, double sided,	Cut to fit		A117B6043V	As req.
04	Inertia switch			A082M6598F	1
05	Module, integrated control			D132M0033F	1
05a	Module, integrated control		Not for USA	C132M0033F	1
06	Clamp, integrated control module			A132M0052F	1
07	Horns, lo tone & hi tone			A132M6095F	1
08	Gasket, horn			A132M0172F	1
09	Bracket, electrical, rear quarter	Also retains ECM		B132M00012F	1
10	Bracket, footwell panel, inboard, RHD			B132M0164F	1
10a	Bracket, footwell panel, inboard, LHD			B132M0165F	1



Function Code 17.03 Horn, Inertia Switch, Modules, Fuses & Relays

<u>Dep</u>	<u>Part Description</u>	<u>Remarks</u>	<u>Option</u>	<u>Part Number</u>	<u>Qty</u>
11	Bracket, footwell panel, outboard			A132M0166F	1
12	Bracket, electrical, passenger footwell, RHD			B132M0034F	1
12a	Bracket, electrical, passenger footwell, LHD			B132M0035F	1
13	Bracket, footwell panel, floor			A132M0167F	1
14	Cover Panel, passenger footwell, RHD			B132M0162F	1
14a	Cover Panel, passenger footwell, LHD			B132M0163F	1
14b	Cover Panel, passenger footwell, LHD		USA	A132M0224K	1
15	Quarter Turn Slotted Knob, panel retention			A132W6030F	2
16	Relay, single contact			A132M6002F	14
17	Relay, power, 50A			A132M6003F	1
18	Relay Single Contact Changeover 30A			C079M6141F	8
19	Kit - Electronic Toll Collection	Not illustrated	Japan only	A132M0194F	1
20	Bracket, ETC module mounting	Not illustrated	Japan only	A132M0193F	1
21	Mega Fuse 150A	Bolted into battery harness		A132M6128F	1



EVORA
17.05

Updated 24th June 2011

Service Parts List



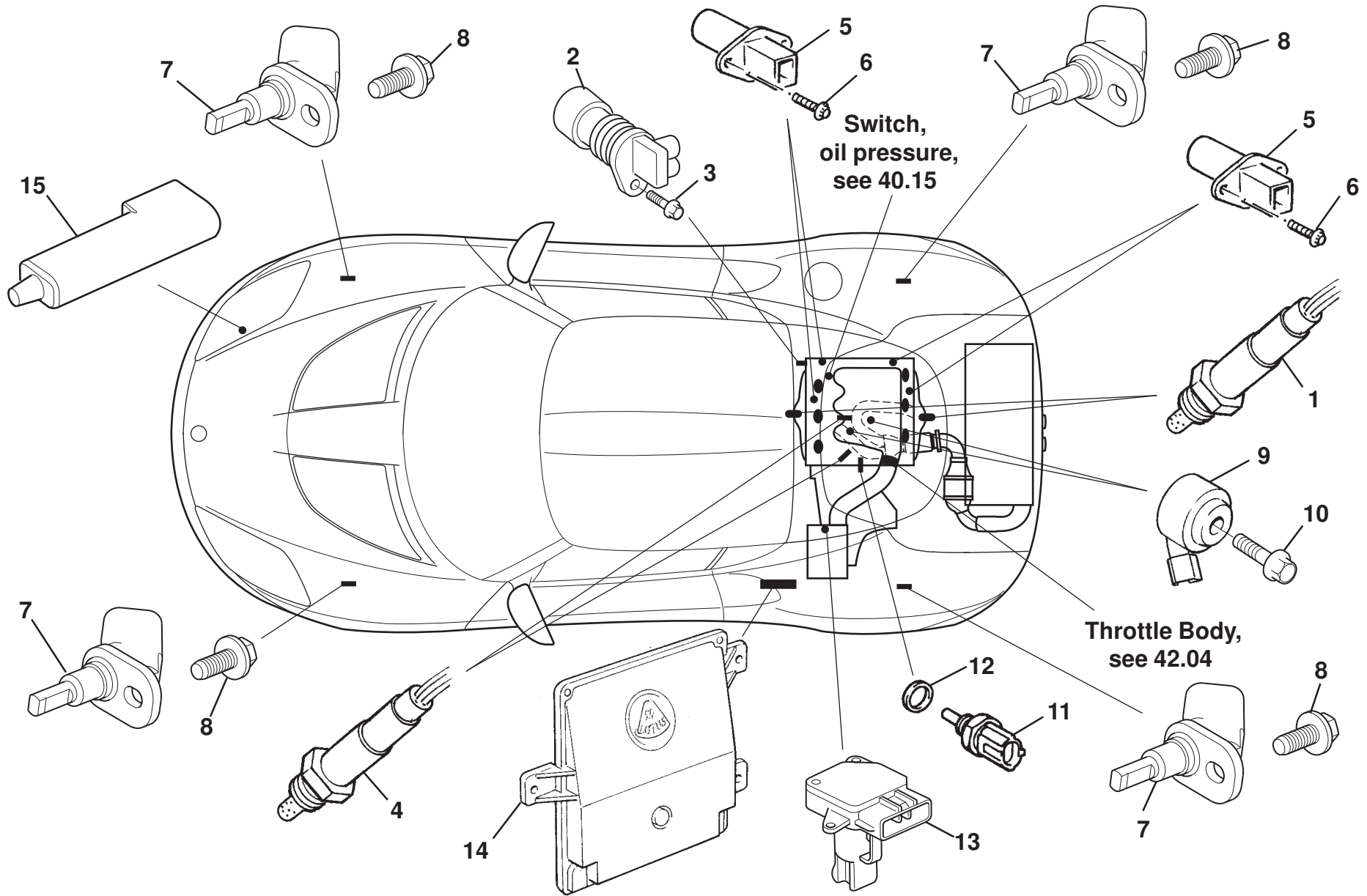
Function Code 17.05 Interior Switches, Auxiliary Power Socket

<u>Dep</u>	<u>Part Description</u>	<u>Remarks</u>	<u>Option</u>	<u>Part Number</u>	<u>Qty</u>
01	Switch Panel Assembly, lighting			B132M0036F	1
01a	Switch Panel Assembly, lighting, federal		USA	A132M0192F	1
02	Switch Panel Assembly, driving, sport	Fuel flap, Traction control/DPM & Sport		B132M0038F	1
02a	Switch Panel Assembly, driving, non-sport			B132M0037F	1
03	Switch Panel Assembly, blank			A132M0105F	1
04	Switch Panel Assembly, car system	Central locking, glovebox & dimmer		B132M0064F	1
05	Switch, hazard lamps			B132M0041F	1
06	Column Switch, indicators/dip select			A132M6009F	1
07	Column Switch, wipe/wash			A132M6008F	1
08	Switch, window lift			A132M6069F	3
09	Switch, door mirror control, powerfold			A132M6068F	1
09a	Switch, door mirror control, non-powerfold			A132M6097F	1
10	Switch, cruise control, ON-OFF			A132M6065F	1
10a	Blanking Panel, cruise switch LH			A132U4413F	1
11	Switch, cruise control, SET-RES			A132M6066F	1
11a	Blanking Panel, cruise switch RH			A132U4414F	1
12	Switch, passenger airbag defeat	Non federal cars only	Except USA	A132M6006F	1



Function Code 17.05 Interior Switches, Auxiliary Power Socket

<u>Dep</u>	<u>Part Description</u>	<u>Remarks</u>	<u>Option</u>	<u>Part Number</u>	<u>Qty</u>
13	Auxiliary Power Socket			A132M6040F	2
14	Screw, M3 x 8, pan pozi. hd., switch retaining			A132W5023F	4
15	Screw, M3 x 8, flg. pozi. hd. S/T, switch retaining			A132W5020F	19
16	Switch, ignition		Manual transmission	A132M6035F	1
16a	Switch, ignition		Auto (NA & S/Charged)	A132M6109F	1
17	Switch Panel Assembly, comfort	Tailgate release & heated seats		A132M0229F	1
18	Switch Paddle, downshift LH		Auto (NA & S/Charged)	B132M4027F	1
19	Switch Paddle, upshift RH		Auto (NA & S/Charged)	B132M4028F	1
20	Switch Panel Assembly, transmission, matt black		Auto (NA & S/Charged)	A132M0207F	1
20a	Switch Panel Assembly, transmission, gloss black		MY12 Auto (NA)	A132M0252F	1



EVORA

17.06

Updated 21st December 2010

Service Parts List



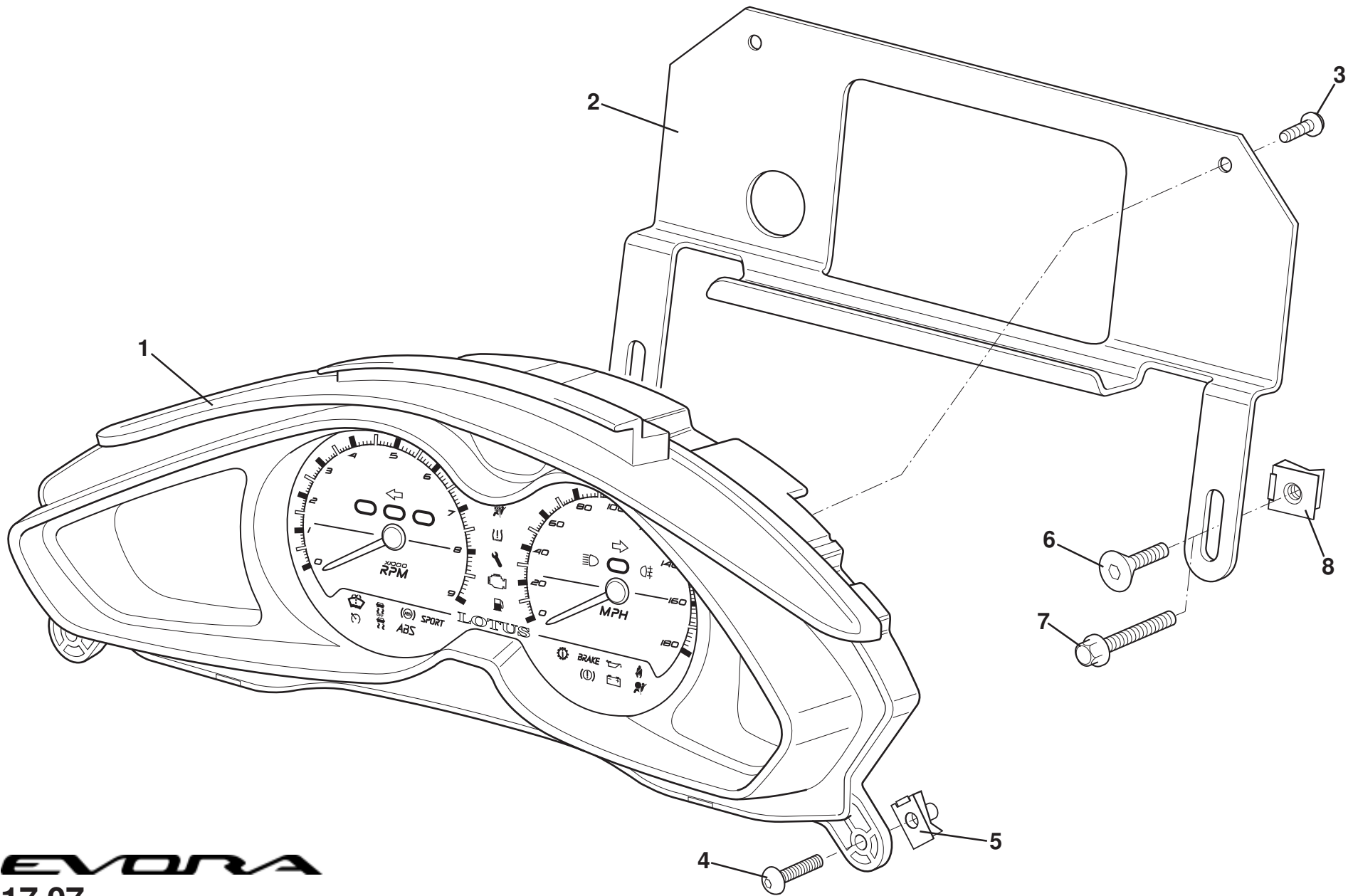
Function Code 17.06 Engine Management & Sensors

<u>Dep</u>	<u>Part Description</u>	<u>Remarks</u>	<u>Option</u>	<u>Part Number</u>	<u>Qty</u>
01	Sensor, oxygen, pre-catalyst			A117E6007F	2
02	Sensor, crankshaft position			A132E6282S	1
03	Bolt, flg. hd., sensor to block			A132E6478S	1
04	Sensor, oxygen, post-catalyst			A117E6007F	2
05	Sensor, camshaft position			A132E6283S	4
06	Bolt, flg. hd., sensor to cam cover			A132E6478S	4
07	Wheel Speed Sensor			A132J6001F	4
08	Bolt, flg. hd.,			A132W5002F	4
09	Sensor, knock control			A132E6298S	2
10	Bolt, flg. hd.,			A132E6469S	2
11	Sensor, coolant temperature			A132E6258S	1
12	Gasket, coolant temperature sensor			A120E6378S	1
13	Meter, air intake flow			A132E6482S	1
14	Electronic Control Module (ECM) uncalibrated	Dealer programmed		B132E0008F	1
14a	Label, ECM, Euro	Not illus., order with item 14	MY10,11, NA Europe	A132U0609F	1
14b	Label, ECM,Fed	Not illus., order with item 14	MY10,11, NA Fed	A132U0565F	1
14c	Label, ECM,Euro	Not illus., order with item 14	MY10,11, S/Charged man, Europe	A132U0610F	1
14d	Label, ECM,Fed	Not illus., order with item 14	MY10,11, S/Charged man, Fed	A132U0611F	1



Function Code 17.06 Engine Management & Sensors

<u>Dep</u>	<u>Part Description</u>	<u>Remarks</u>	<u>Option</u>	<u>Part Number</u>	<u>Qty</u>
14e	Label, ECM, Euro	Not illus., order with item 14	MY12, NA Europe	A132U0889F	1
14f	Label, ECM,Euro	Not illus., order with item 14	MY12, S/Charged man, Europe	A132U0890F	1
14g	Label, ECM,Fed	Not illus., order with item 14	MY12, S/Charged man, Fed	A132U0891F	1
14h	Label, ECM,Fed	Not illus., order with item 14	MY12, NA Fed	A132U0892F	1
15	Sensor, ambient air temperature			A132M6012F	1



EVORA
17.07

Service Parts List

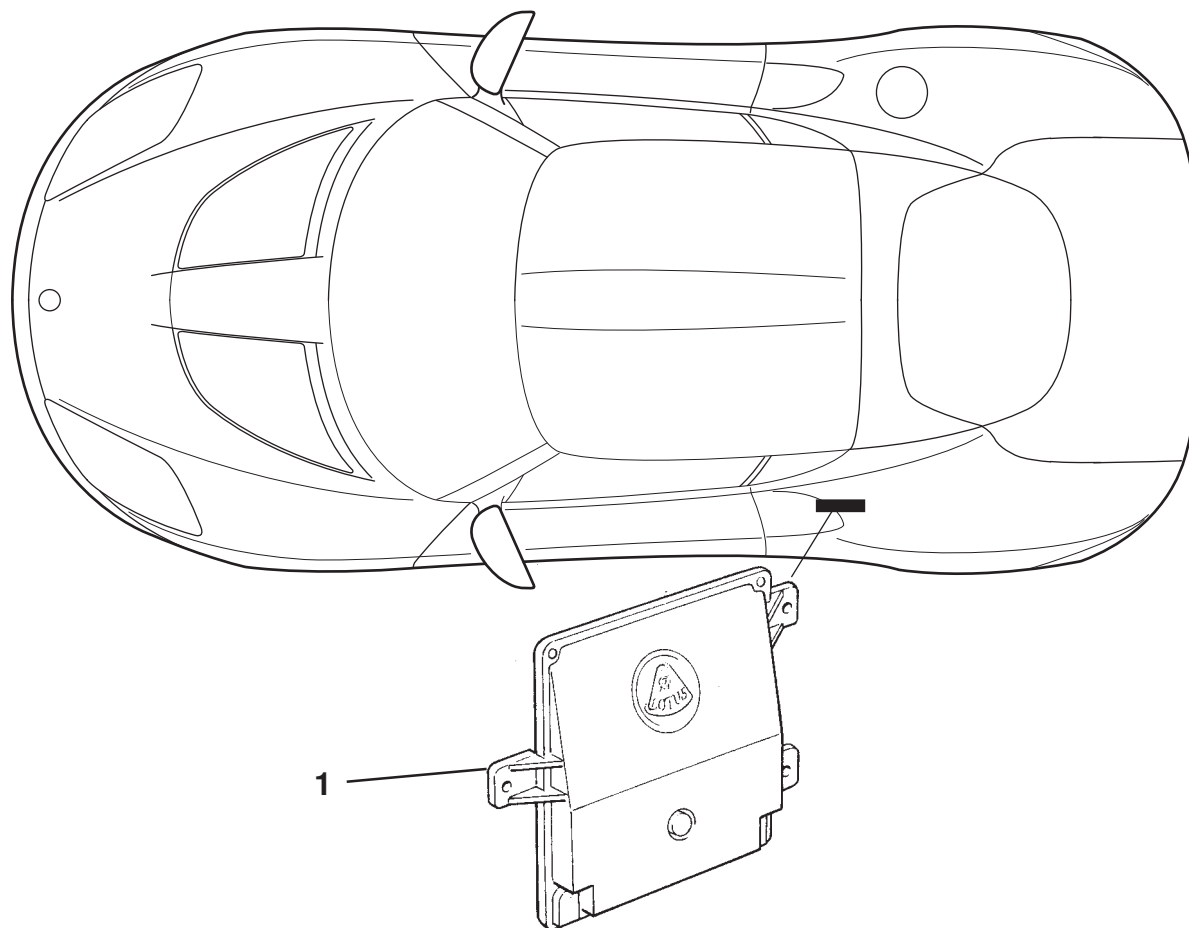


Function Code 17.07 Instruments, Tell Tales, & Displays

<u>Dep</u>	<u>Part Description</u>	<u>Remarks</u>	<u>Option</u>	<u>Part Number</u>	<u>Qty</u>
01	Instrument Pack, MPH, chrome surround*		to vin BH_11178, non USA	B132N0005F	1
01a	Instrument Pack, KPH, chrome surround*		to vin BH_11178	C132N0002F	1
01b	Instrument Pack, MPH, chrome surround*	Does not replace 'B' level pack	From vin BH_11178, all markets,USA from SOP	E132N0005F	1
01c	Instrument Pack, KPH, chrome surround*	Does not replace 'C' level pack	From vin BH_11178	F132N0002F	1
01d	Instrument Pack, MPH, black surround*			A132N0008F	1
01e	Instrument Pack, KPH, black surround*			A132N0007F	1
02	Bracket, pack mounting			A132V0135F	1
03	Screw, M5 x 16, torx flg. hd., pack to bracket			A117W5290F	2
04	Screw, M5 x 12, button skt. hd. black, pack to fascia panel			A111W1771F	2
05	Spirenut, M5, pack to fascia panel			B100W6372F	2
06	Screw, M6 x 16, csk, skt. hd., bracket to fascia panel	Behind switch panel pocket	Outboard fixing	A918W7120F	1
07	Screw, M6 x 30, hex. flg. hd., bracket to fascia panel		Inboard fixing	A124W5294F	1
08	Spirenut, M6, bracket to fascia panel			A117W6715F	2

*The new pack requires variant coding see service notes section MR5





EVORA

17.09

Updated 28th April 2011

Service Parts List

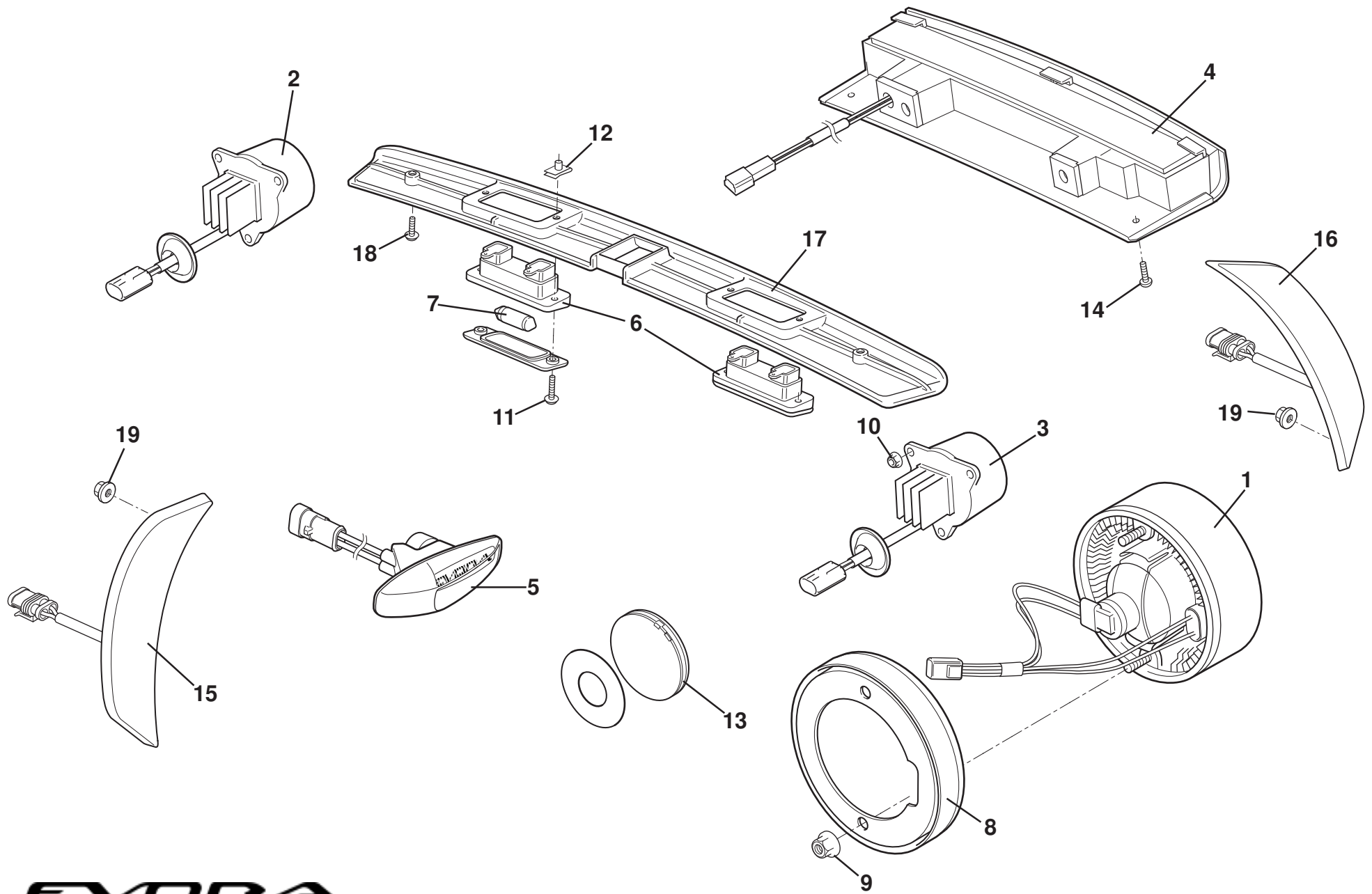
EVORA



Function Code 17.09 Transmission Management & Sensors

<u>Dep</u>	<u>Part Description</u>	<u>Remarks</u>	<u>Option</u>	<u>Part Number</u>	<u>Qty</u>
01	Transmission Control Unit (TCU) uncalibrated	Dealer programmed		C132F0074F	1
01a	Label, TCU,Euro	Not illus., order with item 1a	Auto NA, Europe	A132U0566F	1
01b	Label, TCU,Fed	Not illus., order with item 1a	Auto NA, Fed	A132U0567F	1

EVORA



EVORA
17.11

Updated 16th July 2012

Service Parts List

EVORA



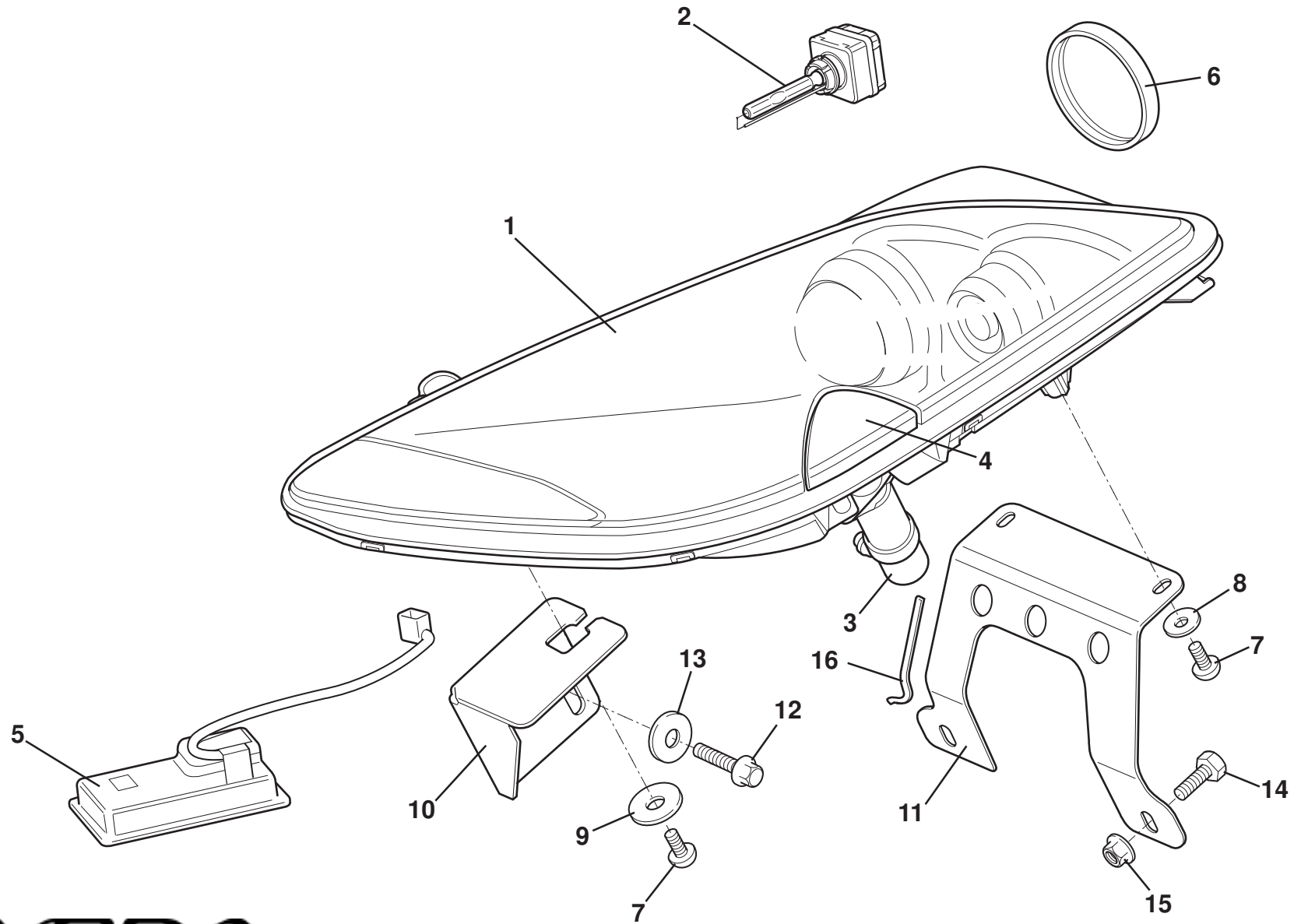
Function Code 17.11 Exterior Lamps, Except Headlamps

<u>Dep</u>	<u>Part Description</u>	<u>Remarks</u>	<u>Option</u>	<u>Part Number</u>	<u>Qty</u>
01	Lamp, outer, tail. turn, stop/tail, LED		Euro	A132M0189F	2
01a	Lamp, outer, tail. turn, stop/tail, LED, federal		USA	A132M0196F	2
02	Lamp, rear fog			B132M0106F	1
03	Lamp, reverse	Chrome		C132M0107F	1
03a	Lamp, reverse	Gloss black		A132M0331S	1
04	Lamp, CHMSL		B132M0108F R/B	C132M0108F	1
05	Lamp, side repeater, LH			C132M4015F	1
05a	Lamp, side repeater, RH			C132M4016F	1
06	Lamp, license plate			A117M6028F	2
07	Bulb, 12v 5w, license plate			A083M6292F	2
08	Bezel, lamp outer			A132M0069F	2
08a	Bezel, lamp outer, black		MY12	A132M0244F	2
09	Nyloc Nut, M5, flg., lamp to body			A132W3000F	4
10	Nut, M4, flg., lamp to bumper			A132U6052F	6
11	Screw, No. 6 x 0.75", flg. pozi. black, lamp to bumper			A075W5028Z	4
12	Spirenut, No. 6, lamp + finisher to bumper			A124W3225F	6
13	Reflector, door			A132M0138F	2
14	Screw, M4 x 12, pan pozi., black, CHMSL to aerofoil			A111W7117F	2

EVORA

Function Code 17.11 Exterior Lamps, Except Headlamps

<u>Dep</u>	<u>Part Description</u>	<u>Remarks</u>	<u>Option</u>	<u>Part Number</u>	<u>Qty</u>
15	Lamp, side marker front, LH		USA	A132M4021F	1
15a	Lamp, side marker front, RH		USA	A132M4022F	1
16	Lamp, side marker rear, LH		USA	A132M4023F	1
16a	Lamp, side marker rear, RH		USA	A132M4024F	1
17	Finisher, license plate lamps			D132U0400F	1
18	Screw, No. 6 x 0.5", flg. pozi. black, finisher to bumper			A075W5012Z	2
19	Nut, self threading, lamp to body		USA	A121W3185F	8



EVORA
17.13

Updated 4th April 2011

Service Parts List

EVORA



Function Code 17.13 Headlamps

<u>Dep</u>	<u>Part Description</u>	<u>Remarks</u>	<u>Option</u>	<u>Part Number</u>	<u>Qty</u>
01	Headlamp Assembly, LH, RHD	Gloss black bezel, includes items 1-6		B132M4001F	1
01a	Headlamp Assembly, LH, LHD	Gloss black bezel, includes items 1-6		B132M4003F	1
01b	Headlamp Assembly, LH, RHD	Grained matt black bezel, includes items 1-6		C132M4001F	1
01c	Headlamp Assembly, LH, LHD	Grained matt black bezel, includes items 1-6		C132M4003F	1
01d	Headlamp Assembly, RH, RHD	Gloss black bezel, includes items 1-6		B132M4002F	1
01e	Headlamp Assembly, RH, LHD	Gloss black bezel, includes items 1-6		B132M4004F	1
01f	Headlamp Assembly, RH, RHD	Grained matt black bezel, includes items 1-6		C132M4002F	1
01g	Headlamp Assembly, RH, LHD	Grained matt black bezel, includes items 1-6		C132M4004F	1
01h	Headlamp Assembly, RH, LHD federal	Gloss black bezel, includes items 1-6	USA	A132M4026F	1
01i	Headlamp Assembly, LH, LHD federal	Gloss black bezel, includes items 1-6	USA	A132M4025F	1
01j	Headlamp Assembly, RH, LHD federal	Grained matt black bezel, includes items 1-6	USA	B132M4026F	1
01k	Headlamp Assembly, LH, LHD federal	Grained matt black bezel, includes items 1-6	USA	B132M4025F	1

EVORA

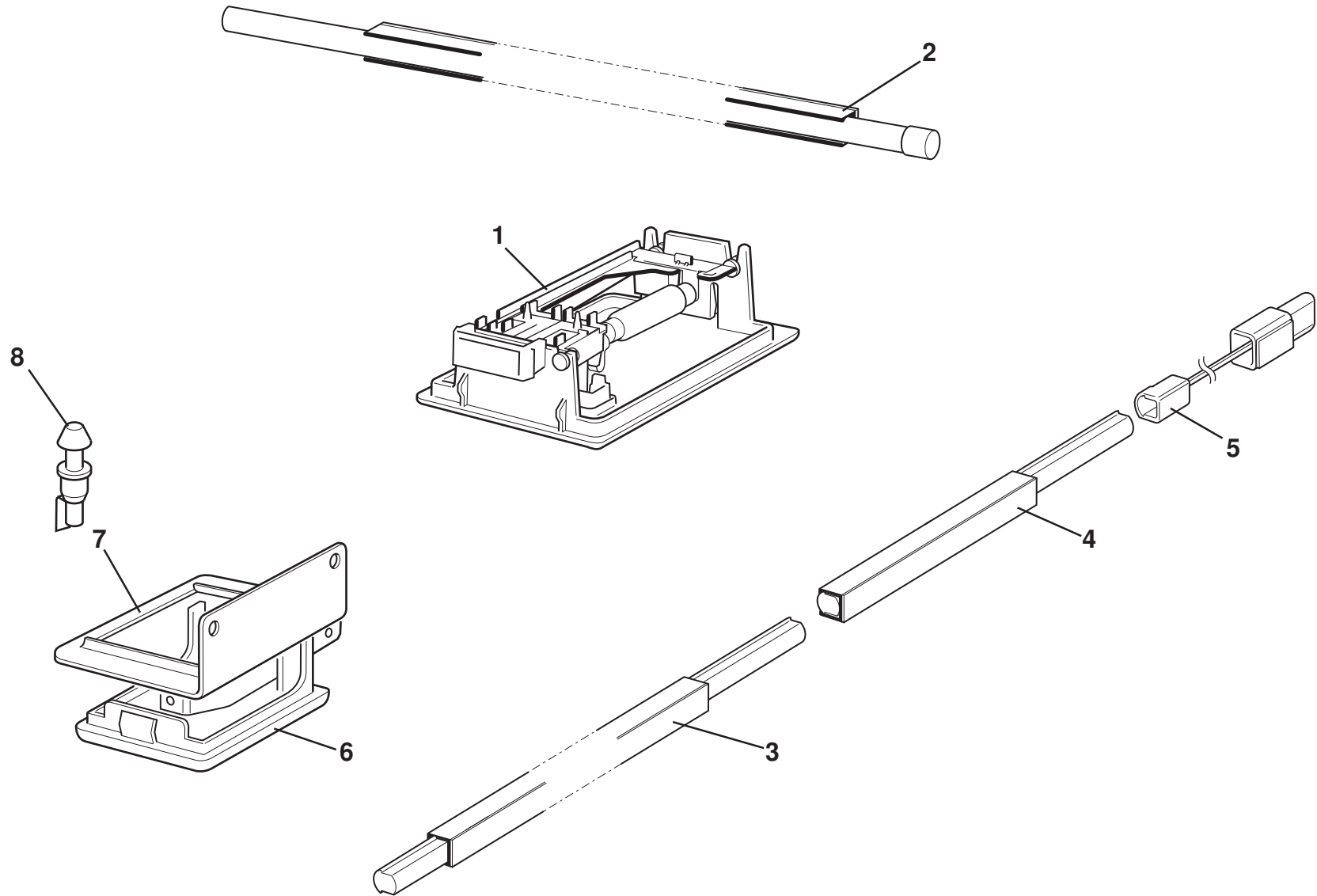
Function Code: 17.13, Page: 1

Updated 21st February 2012

Function Code 17.13 Headlamps

<u>Dep</u>	<u>Part Description</u>	<u>Remarks</u>	<u>Option</u>	<u>Part Number</u>	<u>Qty</u>
02	Burner Unit			A132M6116S	2
03	Washer Unit			A132M6113S	2
04	Cover Set, headlamp washer			A132M6114S	1
05	Ballast Unit			A132M6115S	2
06	Cover Set, headlamp rear			A132M6117S	1
07	Screw, M6 x 12, button hd., lamp retention			A126W7226F	6
08	Washer, flat, M6 x 15 x 1.5, S/S black, lamp retention			A082W4133F	4
09	Washer, flat, M6 x 25 x 1.4, S/S black, lamp retention			A082W4131F	2
10	Bracket, headlamp to subframe, LH			C132B4045F	1
10a	Bracket, headlamp to subframe, RH			C132B4046F	1
11	Bracket, headlamp rear			D132U0231F	2
11a	Bracket, headlamp rear		USA vin BH_11174 , all markets vin, BH_11178	E132U0231F	2
12	Screw, M6 x 16, hex. flg. hd., bracket to subframe			A918W5208F	4
13	Washer, flat, M6 x 25 x 1.4, bracket to subframe			B075W4017Z	4
14	Screw, M6 x 10, hex. hd. bracket retention			A075W1026Z	4
15	Nut, M6, flange, bracket retention			A117W3180F	4
16	Rubber Edge Protector, headlamp bracket		S/Charged (man & auto), Auto	A117B6010F	0.33
17	Beam Control Template, RHD, Drivers side	Template only. See TSB 2011/22		LSL592	1
17a	Beam Control Template, RHD, Passengers side	Template only. See TSB 2011/22		LSL593	1





EVORA
17.17

Updated 25th May 2011

Service Parts List

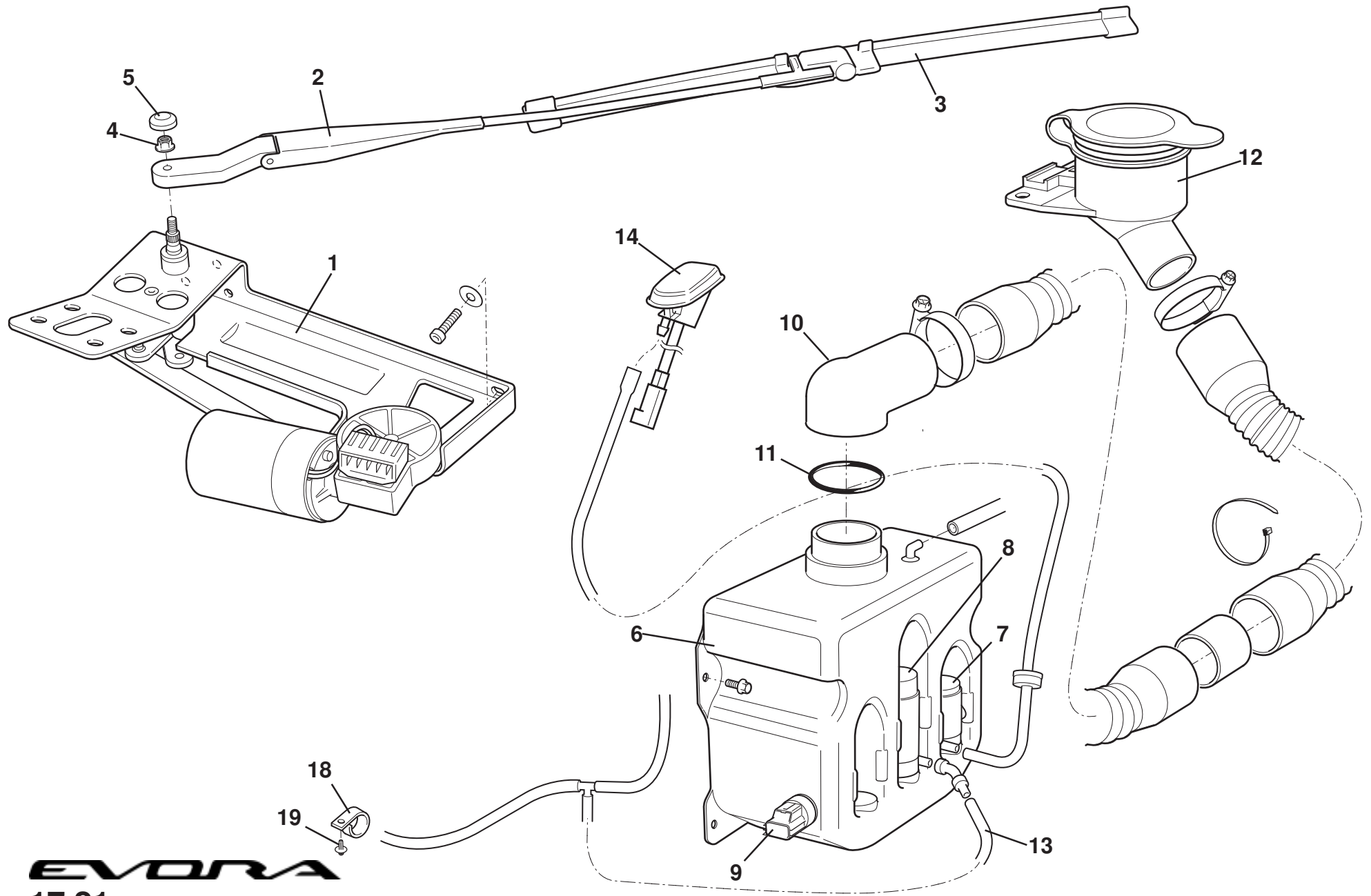
EVORA



Function Code 17.17 Interior Lamps

<u>Dep</u>	<u>Part Description</u>	<u>Remarks</u>	<u>Option</u>	<u>Part Number</u>	<u>Qty</u>
01	Interior Lamp			A132M6017F	1
02	PLE Assembly, moodlight, door, RH			A132M4020F	1
02a	PLE Assembly, moodlight, door, LH			A132M4019F	1
03	PLE Assembly, moodlight, fascia, driver			A132M0183F	1
04	PLE Assembly, moodlight, passenger			A132M0184F	1
05	Light Injector, moodlight fascia, driver			A132M0150F	1
05a	Light Injector, moodlight fascia, passenger, LH,RH door			A132M0149F	1
06	Lamp, glovebox, footwells and boot			A132M6036F	5
07	Bracket, footwell lamp			A132M0132F	2
08	Switch, glovebox lamp			A132M6018F	1

EVORA



EVORA
17.21

Updated 18th August 2011

Service Parts List



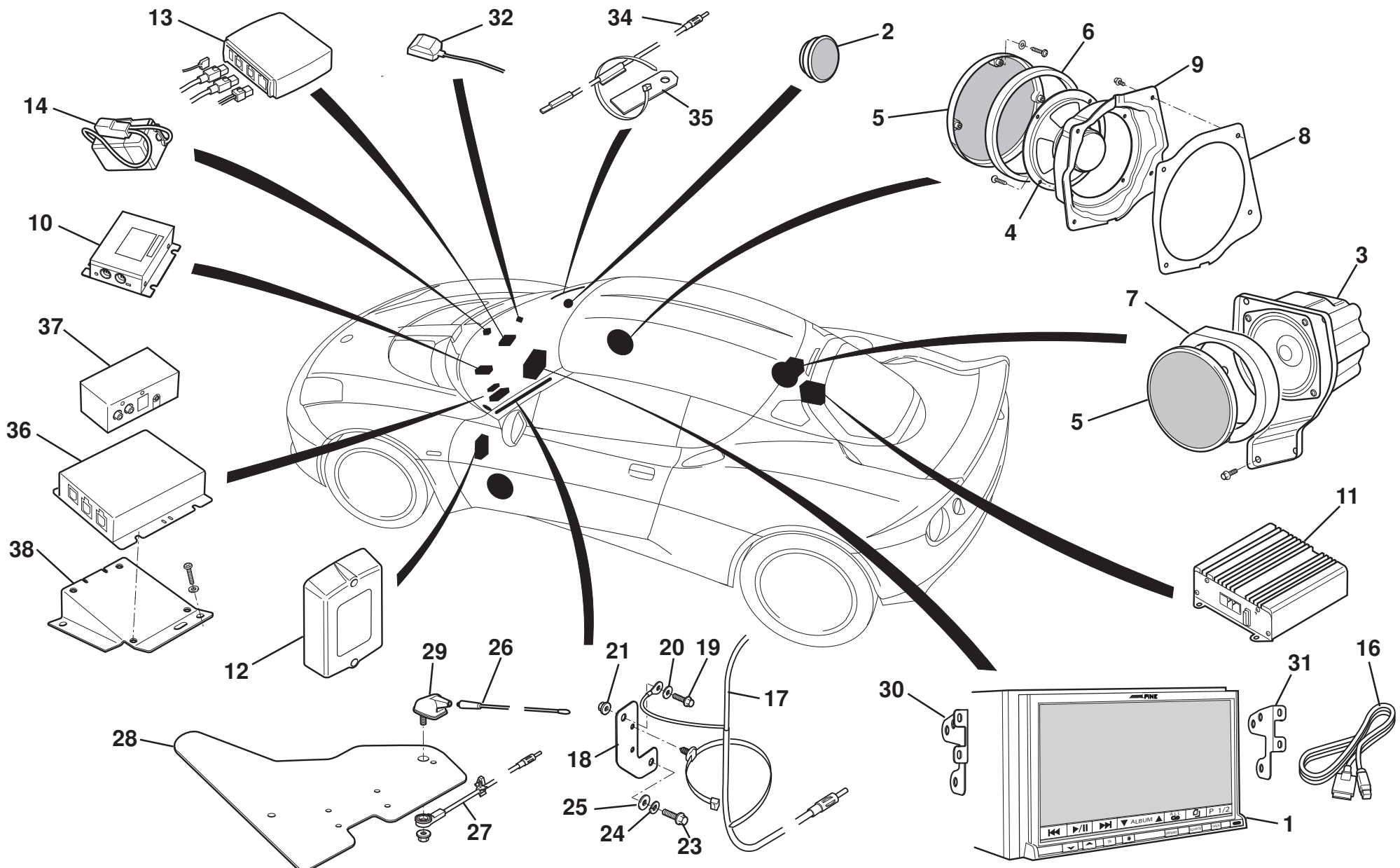
Function Code 17.21 Windscreen Wiper Motor, Wipers & Washers

<u>Dep</u>	<u>Part Description</u>	<u>Remarks</u>	<u>Option</u>	<u>Part Number</u>	<u>Qty</u>
01	Wiper Drive Assembly, RHD			B132U0062F	1
01a	Wiper Drive Assembly, LHD	Not illustrated		B132U0061F	1
02	Wiper Arm, RHD			A132U6044F	1
02a	Wiper Arm, LHD	Not illustrated		A132U6043F	1
03	Wiper Blade, RHD			A132U6048F	1
03a	Wiper Blade, LHD	Not illustrated		A132U6047F	1
04	Nut, M10, flange, arm to pivot			A132U6045F	1
05	Cap, wiper arm			A132U6046F	1
06	Washer Bottle Assembly	Includes grommets		A132U6089H	1
06a	Washer Bottle		USA vin BH_11174 , all markets vin, BH_11178	A132U0575H	
07	Washer Pump, windscreen			A132U6027H	1
07a	Washer Pump, windscreen		USA vin BH_11174 , all markets vin, BH_11178	A132U6107H	1
08	Washer Pump, headlamp			A132U6026H	1
08a	Washer Pump, headlamp		USA vin BH_11174 , all markets vin, BH_11178	a132U6108H	1
09	Sensor, low fluid level			A132U6091H	1
09a	Sensor, low fluid level		USA vin BH_11174 , all markets vin, BH_11178	A132U6110H	1



Function Code 17.21 Windscreen Wiper Motor, Wipers & Washers

<u>Dep</u>	<u>Part Description</u>	<u>Remarks</u>	<u>Option</u>	<u>Part Number</u>	<u>Qty</u>
10	Adaptor, 90 degree, hose to bottle			A132U6096H	1
11	Grommet, adaptor to bottle			A132U6095H	1
12	Filler Neck Assembly, and washer hoses			A132U6024H	1
12a	Filler Neck Assembly, and washer hoses		USA vin BH_11174 , all markets vin, BH_11178	A132U6134S	1
13	Headlamp Washer Hose Kit			A132U6073H	1
13a	Headlamp Washer Hose Kit		USA vin BH_11174 , all markets vin, BH_11178	A132U6135S	1
14	Washer Jet, heated			B132U6025F	1
15	Grommet. windscreen washer pump	Not illustrated	USA vin BH_11174 , all markets vin, BH_11178	A132U6117H	2
16	Grommet. headlamp washer pump	Not illustrated	USA vin BH_11174 , all markets vin, BH_11178	A132U6106H	1
17	Grommet. sensor low fluid level	Not illustrated	USA vin BH_11174 , all markets vin, BH_11178	A132U6109H	1
18	'P' Clip Open			A075W6229F	2
19	'R' Lok expansion Rivet			A132W6070F	2



EVORA
17.27

Updated 16th July 2012

Service Parts List



Function Code 17.27 In Car Entertainment

<u>Dep</u>	<u>Part Description</u>	<u>Remarks</u>	<u>Option</u>	<u>Part Number</u>	<u>Qty</u>
01	Radio/Cd Player, Alpine, W505R	2-DIN, removable sat nav	Euro / Tech pack	C132M6073F	1
01a	Radio/Cd Player, Alpine, VIE-X077	2-DIN, removable sat nav	Japan	A132M6074F	1
01b	Radio, Alpine IVA-W520R	2-DIN, fixed sat nav	Euro / ROW / Tech pack	A132M6130F	1
01c	Radio/Cd Player, Alpine, CDE-111RM	Not illustrated 1-DIN	Euro	A120M6045F	1
01d	Radio/Cd Player, Alpine, CDE-102Ji	Not illustrated 1-DIN	Japan	A120M6042F	1
01e	Radio Pioneer AVIC-930BT	2-DIN	MY12, Euro not Cyprus	A132M0247F	1
01f	Radio Pioneer AVIC-930BT	2-DIN	MY12, AUS-NZ	A132M0248F	1
01g	Radio	2-DIN	MY12, Russia	A132M0255F	1
01h	Radio/Cd Player, Alpine, INE-W920R	2-DIN, do not use as replacement for other models		A132M6149F	1
02	Speaker, tweeter		Standard	A132M0140F	2
03	Speaker Assembly, sub-woofer	RH rear quarter panel	Tech pack	A132M0188F	1
04	Speaker, Alpine LUK_SB01B	Door mounted	Standard	A132M0158F	2
04a	Speaker, Alpine LUK_WG01	Door mounted	Tech pack	A132M0159F	2
05	Speaker Grille			A132M0170F	3
05a	Speaker Grille Alpine LUK-WG01, black		MY12	A132M0245F	3
06	Gasket, foam, door speaker			A132M0173F	2
07	Gasket, foam, sub-woofer speaker			A132M0186F	1
08	Mounting Panel, speaker front, LH			B132M4005F	1



Function Code 17.27 In Car Entertainment

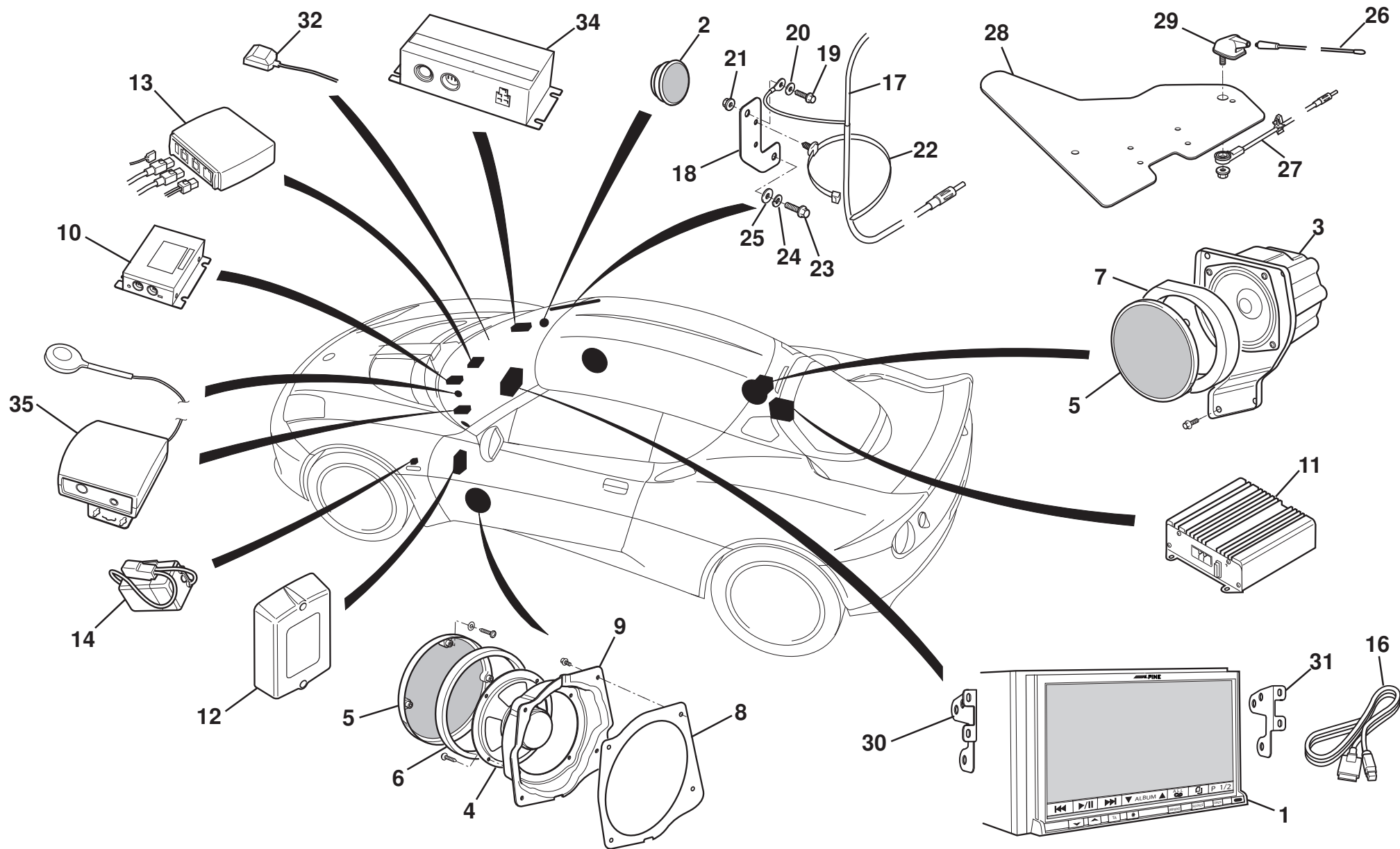
<u>Dep</u>	<u>Part Description</u>	<u>Remarks</u>	<u>Option</u>	<u>Part Number</u>	<u>Qty</u>
08a	Mounting Panel, speaker front, RH			B132M4006F	1
09	Gasket, speaker mounting panel, LH			A132M4017F	1
09a	Gasket, speaker mounting panel, RH			A132M4018F	1
10	Module, imprint Alpine PXA-H100 audio	Alpine only	Optional not Japan	B132M0143F	1
11	Amplifier, sub-woofer, Alpine M150		Tech pack	B132M0142F	1
12	Module, crossover, Alpine Luk-X01B	Replaced by B132M0116F harness	Standard	B132M0116F	1
12a	Module, crossover, Alpine Luk-X02T		Tech pack	B132M0160F	1
13	Module, bluetooth Alpine 400BT	Alpine only,2-DIN fixed sat nav, includes mic & blue tooth cable	Tech pack not Japan	A132M6122F	1
14	Choke, radio	Passenger footwell	Standard	A132M0175F	1
15	Module, Sat nav head unit	Not illustrated, 2- DIN removable sat nav, includes GPS antenna, mic & USB cable	Tech pack	B132M6075F	1
16	Ipod Adapter	1-DIN headunit 2-DIN Japan		A120M6041F	1
17	Antenna, wallen		Standard from vin BH_10948	A132M6129F	1
18	Bracket, antenna		Standard from vin BH_10948	A132M0233K	1
19	Screw M6 x 16 hex, antenna to bracket		Standard from vin BH_10948	A075W1028F	1
20	Washer M6, shakeproof, antenna to bracket		Standard from vin BH_10948	A075W4046F	1
21	Nut M6, antenna to bracket		Standard from vin BH_10948	A075W3020F	1
22	Cable tie, antenna to bracket		Standard from vin BH_10948	A116K6020F	2
23	Bolt M4 x 16, bracket to chassis		Standard from vin BH_10948	A082W1118F	1



Function Code 17.27 In Car Entertainment

<u>Dep</u>	<u>Part Description</u>	<u>Remarks</u>	<u>Option</u>	<u>Part Number</u>	<u>Qty</u>
24	Washer M4 shakeproof, bracket to chassis		Standard from vin BH_10948	A075W4086F	1
25	Washer 3/16 x 3/4 flat, bracket to chassis		Standard from vin BH_10948	B075W4009F	1
26	Mast, antenna	Obsolete use items 17-25		A132M6102F	1
27	Cable, antenna	Obsolete use items 17-25		A132M6103F	1
28	Ground Plane, antenna	Obsolete use items 17-25		A132M0197F	1
29	Base, antenna	Obsolete use items 17-25		A132M6101F	1
30	Radio Support Bracket, LH	Single and double DIN		A132V4207F	1
31	Radio Support Bracket, RH	Single and double DIN		A132V4208F	1
32	GPS Antenna	2- DIN removable sat nav	Tech pack	A132M6126H	1
33	Bluetooth, mic / lead	Not illustrated, 2-DIN removable sat nav	Tech pack	A132M6146S	1
33a	Bluetooth, mic / lead	Not illustrated, 2- DIN fixed sat nav	Tech pack	A132M6147S	1
34	Antenna, TMC		Market specific / Tech pack	A132M6084F	1
35	Ground Plane, TMC antenna		Market specific / Tech pack	A132M0174F	1
36	Module, sat nav Alpine NVE M300P	Alpine only	EU/Row with 2-DIN fixed sat nav and module	A132M6125F	1
37	Imprint Navigation Interface	Alpine only	EU/Row with 2-DIN fixed sat nav and module	A132M6131F	1
38	Bracket, sat nav	Alpine only		A132M0234F	1
39	Rawlnut, microphone	Not illustrated		A075W6074F	1
40	Starlock Fastener, microphone	Not illustrated		A132W6094F	1





EVORA
17.27a

Updated 16th July 2012

Service Parts List



Function Code 17.27a In Car Entertainment Fed

<u>Dep</u>	<u>Part Description</u>	<u>Remarks</u>	<u>Option</u>	<u>Part Number</u>	<u>Qty</u>
01	Radio/Cd Player, Alpine, W505	2-DIN, removable sat nav	USA Tech pack	A132M6104F	1
01a	Radio, Alpine W900	2-DIN, fixed sat nav	USA Tech pack	A132M6121F	1
01b	Radio/Cd Player, Alpine, CDE-102	Not illustrated, 1-DIN	USA	A121M6028F	1
01c	Radio Pioneer AVIC-930BT	2-DIN	MY12 USA	A132M0246F	1
01d	Radio/Cd Player, Alpine, INE-S920HD	2-DIN, do not use as replacement for other models		A132M6150F	1
02	Speaker, tweeter		Standard	A132M0140F	2
03	Speaker Assembly, sub-woofer	RH rear quarter panel	Tech pack	A132M0188F	1
04	Speaker, Alpine LUK_SB01B	Door mounted	Standard	A132M0158F	2
04a	Speaker, Alpine LUK_WG01	Door mounted	Tech pack	A132M0159F	2
05	Speaker Grille			A132M0170F	3
05a	Speaker Grille Alpine LUK-WG01, black		MY12	A132M0245F	3
06	Gasket, foam, door speaker			A132M0173F	2
07	Gasket, foam, sub-woofer speaker			A132M0186F	2
08	Mounting Panel, speaker front, LH			B132M4005F	1
08a	Mounting Panel, speaker front, RH			B132M4006F	1
09	Gasket, speaker mounting panel, LH			A132M4017F	1
09a	Gasket, speaker mounting panel, RH			A132M4018F	1
10	Module, imprint Alpine PXA-H100 audio	Alpine only	Optional	A132M0143F	1



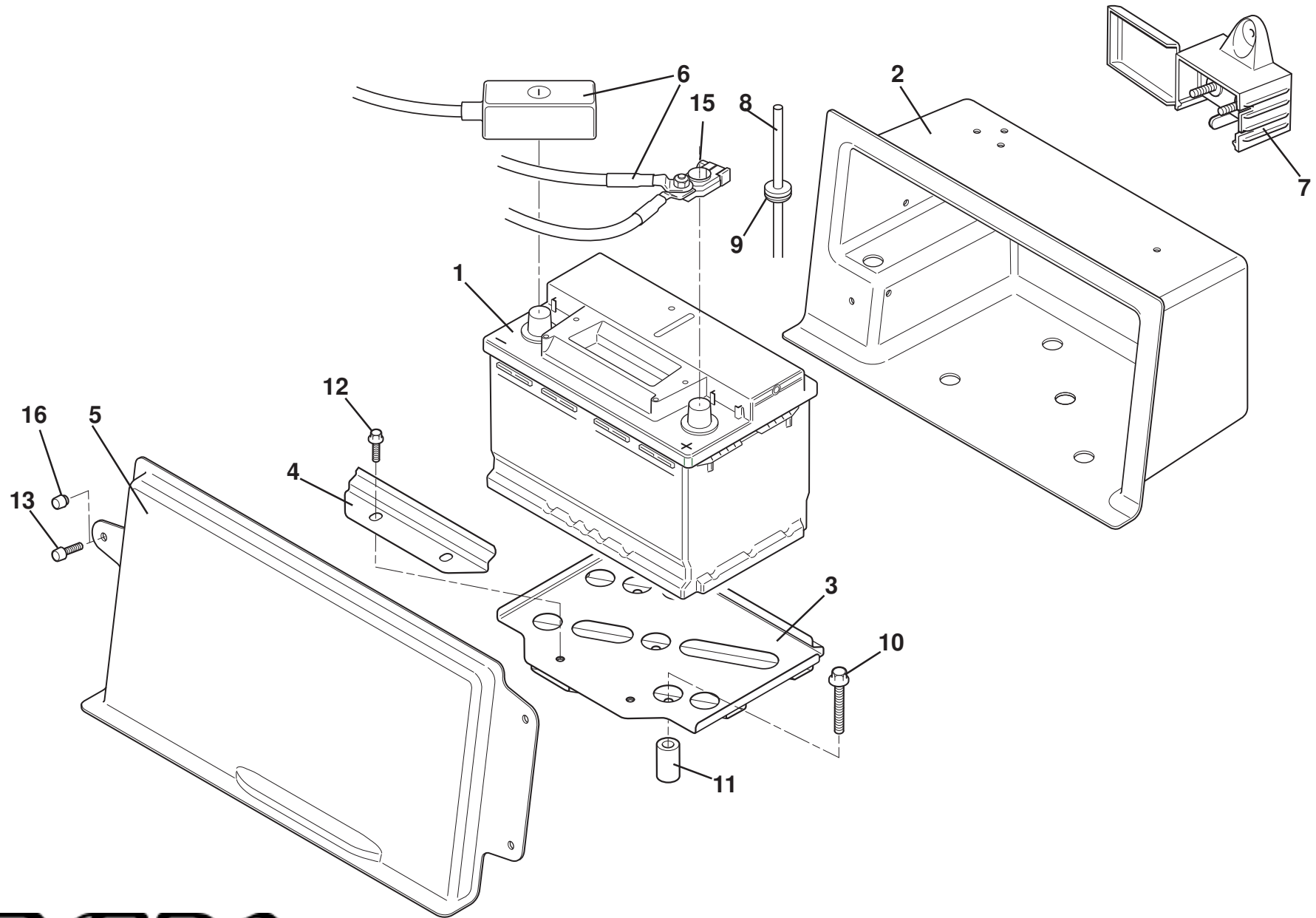
Function Code 17.27a In Car Entertainment Fed

<u>Dep</u>	<u>Part Description</u>	<u>Remarks</u>	<u>Option</u>	<u>Part Number</u>	<u>Qty</u>
11	Amplifier, sub-woofer, Alpine M150		Tech pack	B132M0142F	1
12	Module, crossover, Alpine Luk-X01B	Replaced by B132M0116F harness	Standard	B132M0116F	2
12a	Module, crossover, Alpine Luk-X02T		Tech pack	B132M0160F	2
13	Module, bluetooth Alpine 400BT	Alpine only,2-DIN fixed sat nav, includes mic & blue tooth cable	Tech pack	A132M6122F	1
14	Choke, radio	Passenger footwell	Standard	A132M0175F	1
15	Module, Sat nav head unit	Not illustrated, 2- DIN removable sat nav, includes mic & GPS antenna cable	Tech pack	A132M6105F	1
16	Ipod Adapter	1-DIN headunit		A120M6041F	1
17	Antenna, wallen		Standard from vin BH_10948	A132M6129F	1
18	Bracket, antenna		Standard from vin BH_10948	A132M0233K	1
19	Screw M6 x 16 hex, antenna to bracket		Standard from vin BH_10948	A075W1028F	1
20	Washer M6, shakeproof, antenna to bracket		Standard from vin BH_10948	A075W4046F	1
21	Nut M6, antenna to bracket		Standard from vin BH_10948	A075W3020F	1
22	Cable tie, antenna to bracket		Standard from vin BH_10948	A116K6020F	2
23	Bolt M4 x 16, bracket to chassis		Standard from vin BH_10948	A082W1118F	1
24	Washer M4 shakeproof, bracket to chassis		Standard from vin BH_10948	A075W4086F	1
25	Washer 3/16 x 3/4 flat, bracket to chassis		Standard from vin BH_10948	B075W4009F	1
26	Mast, antenna	Obsolete use items 17-25		A132M6102F	1
27	Cable, antenna	Obsolete use items 17-25		A132M6103F	1



Function Code 17.27a In Car Entertainment Fed

<u>Dep</u>	<u>Part Description</u>	<u>Remarks</u>	<u>Option</u>	<u>Part Number</u>	<u>Qty</u>
28	Ground Plane, antenna	Obsolete use items 17-25		A132M0197F	1
29	Base, antenna	Obsolete use items 17-25		A132M6101F	1
30	Radio Support Bracket, LH	Single and double DIN		A132V4207F	1
31	Radio Support Bracket, RH	Single and double DIN		A132V4208F	1
32	GPS Antenna	Removable sat nav	Tech pack	A132M6126H	1
33	Bluetooth, mic / lead	Not illustrated, 2-DIN removable sat nav	Tech pack	A132M6146S	1
33a	Bluetooth, mic / lead	Not illustrated, 2-DIN, fixed sat nav	Tech pack	A132M6147S	1
34	Radio Interface, Alpine KCA-SC100	Alpine only	USA Tech pack	A132M6107F	1
34a	Module Sirius Interface CD-OB10	Pioneer only	MY12	A132M0253F	1
35	Tuner, Satellite Sirius 20SCC1		USA Tech pack	A132M6108F	1
35a	Tuner, Satellite Sirius SVX200B		USA Tech pack	A132M6148F	1
36	Rawlnut, microphone	Not illustrated		A075W6074F	1
37	Starlock Fastener, microphone	Not illustrated		A132W6094F	1
38	Foam Pad	Not illustrated, 2 off for item 34, 2 off for item 35		A132U0260F	4



EVORA
17.31

Updated 21st November 2012

Service Parts List



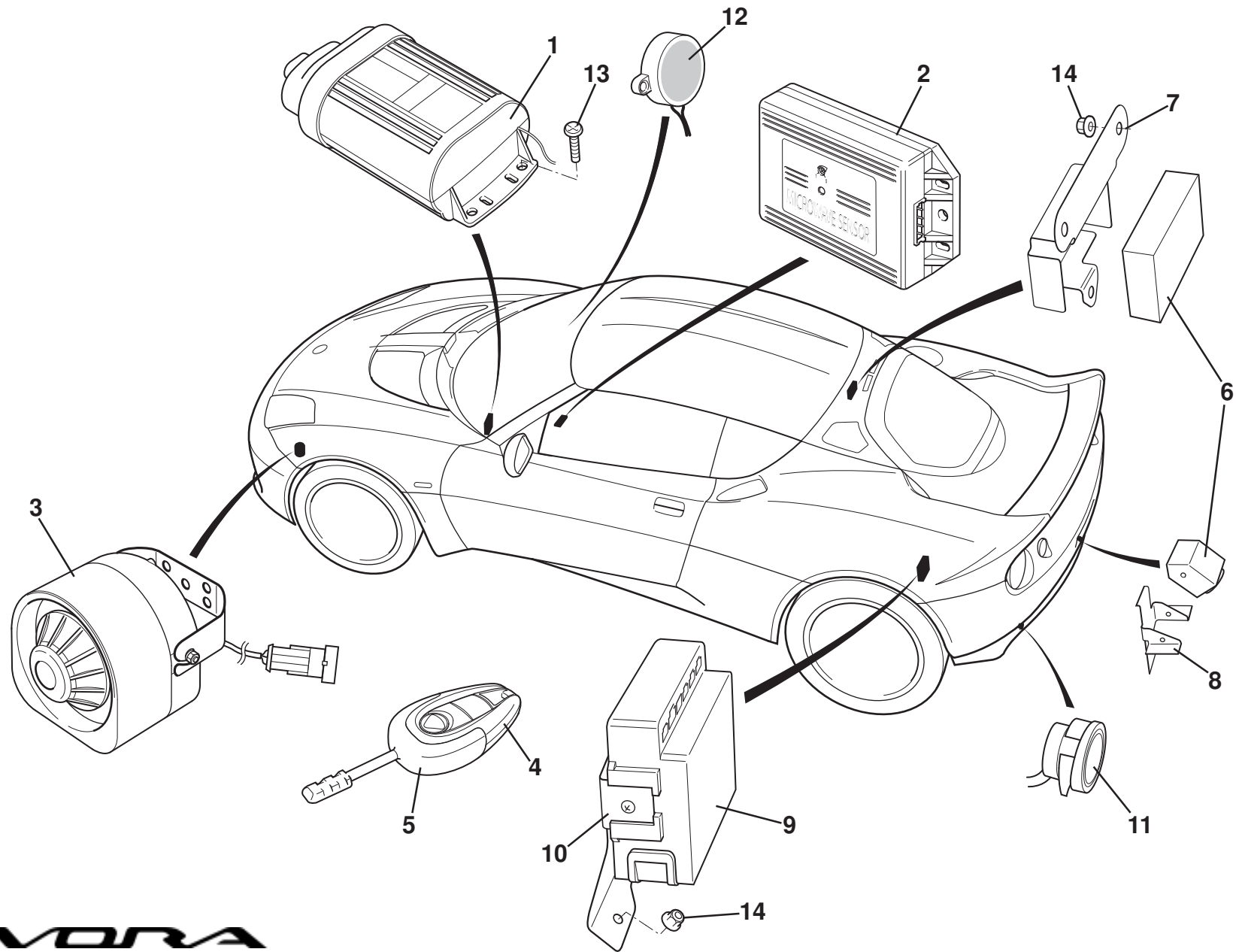
Function Code 17.31 Battery, Clamps, & Cables

<u>Dep</u>	<u>Part Description</u>	<u>Remarks</u>	<u>Option</u>	<u>Part Number</u>	<u>Qty</u>
01	Battery, Varta 72Ah Blue Dynamic			A132M6029F	1
02	Battery Box			E132B0071F	1
03	Battery Tray Assembly			B132M0025F	1
04	Clamp, battery to tray			A132M0060F	1
05	Cover, battery housing	3 fixings, fitted under boot carpet without cutout		B132U0115F	1
05a	Cover, battery housing	4 fixings, boot carpet with cutout		C132U0115F	1
06	Harness, battery			C132M0049F	1
07	Binding Post Assembly	Skuttle & rear bulkhead		A340M6007F	2
08	Tube, battery vent			B132M0050F	1
09	Grommet, vent tube to battery box			A124W6790F	1
10	Screw, M8 x 45, hex. flg. hd., tray fixing			A132W2001F	4
11	Spacer, battery tray, 27.5mm			A132M0144F	4
12	Screw, M6 x 12, hex. flg. hd., clamp to tray			A132W5010F	2
13	Thumbscrew, M6 x 10, cover fixing			A124W5302F	2
14	Cable, fusebox, RHD, 3240mm	Not illus., positive stud to fusebox stud	Prior MY12	B132M0004F	1
14a	Cable, fusebox, RHD, 3590mm	Not illus., positive stud to fusebox stud	MY12	C132M0004F	1



Function Code 17.31 Battery, Clamps, & Cables

<u>Dep</u>	<u>Part Description</u>	<u>Remarks</u>	<u>Option</u>	<u>Part Number</u>	<u>Qty</u>
14b	Cable, fusebox, LHD, 3830mm	Not illus., positive stud to fusebox stud	Prior MY12	B132M0005F	1
14c	Cable, fusebox, LHD, 4145mm	Not illus., positive stud to fusebox stud	MY12	C132M0005F	1
15	Battery Clamp			A132M6143F	2
16	Knurled Knob, battery cover	Use with item 05a		A124W5304	4



EVORA
17.33

Service Parts List

EVORA



Function Code 17.33 Security Alarm System, Parking Sensors & Camera

<u>Dep</u>	<u>Part Description</u>	<u>Remarks</u>	<u>Option</u>	<u>Part Number</u>	<u>Qty</u>
01	Alarm ECU, PFK	Includes 2 transmitter fobs		B132M0154F	1
02	Microwave Sensor, PFK			A132M0119F	1
02a	Adhesive Tape, double sided, microwave sensor retention	Not illustrated		A117B6043V	As reg
03	Siren, PFK	Includes bracket, fixings		B132M6082F	1
04	Transmitter Fob	Programme transmitter using PIN		A132M6099S	2
05	Key, cut	Supply key code		A132H0056S	2
05a	Key, uncut			B132H0018S	2
06	Camera Kit, reversing, Alpine HCE-C105			A132M6086F	1
06a	Cable, reversing camera	Not illustrated		B132M0068F	1
07	Bracket, camera module mounting			A132M0120F	1
08	Bracket, reversing camera mounting			A132U0166F	1
09	Rear Parking Aid ECU			A132M0092F	1
09a	Rear Parking Aid ECU		S/Charged (man & auto)	A132M0235F	1
10	Bracket, parking aid ECU			A132M0121F	1
11	Sensor Kit, parking aid system			B132M0151F	1
12	Sounder, parking aid			A132M0191F	1
13	Screw, M4 x 12, pan pozi., ECU to chassis			A100W5143F	2
14	Nyloc Nut, M5, flg., bracket to bootbox			A132W3000F	2

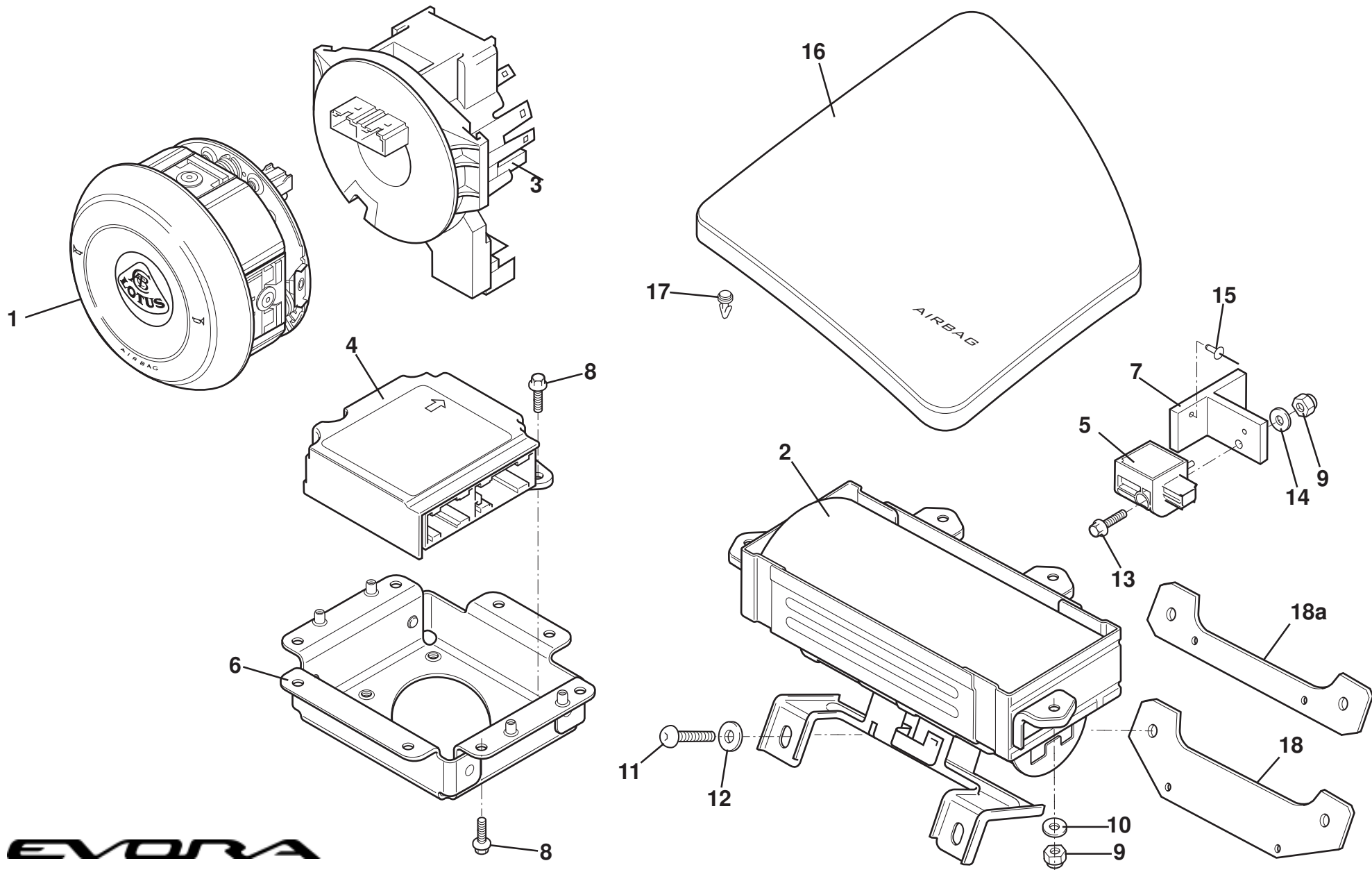
EVORA

Function Code: 17.33, Page: 1

Updated 21st November 2012

Function Code 17.33 Security Alarm System, Parking Sensors & Camera

<u>Dep</u>	<u>Part Description</u>	<u>Remarks</u>	<u>Option</u>	<u>Part Number</u>	<u>Qty</u>
		NOTE: For full information on all Lotus Security Sytems, see LSL483f			



EVORA
17.35

Updated 27th October 2010

Service Parts List

EVORA



Function Code 17.35 Other Electrical, SIR: Inflator Modules, DERM & Sensors

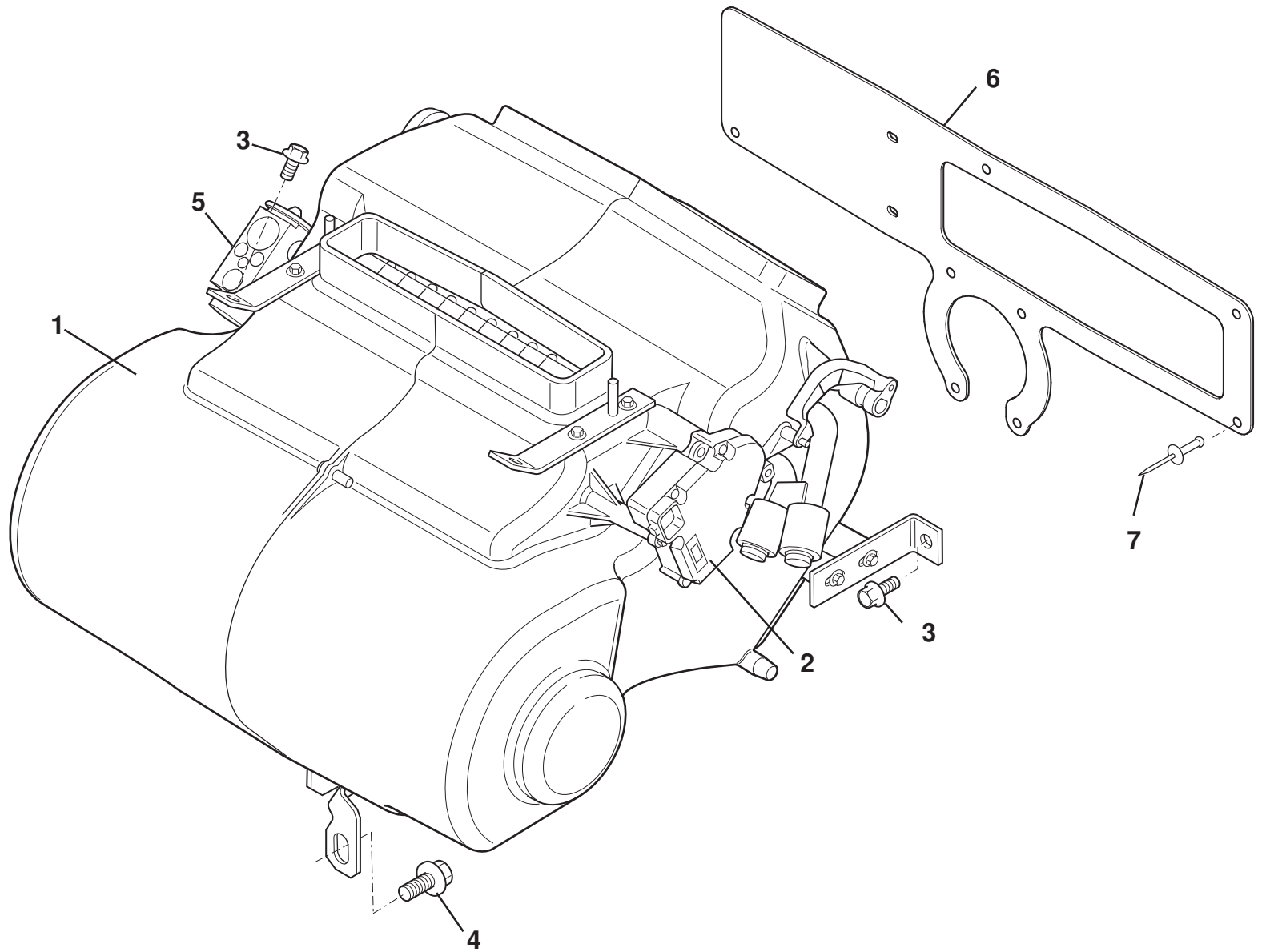
<u>Dep</u>	<u>Part Description</u>	<u>Remarks</u>	<u>Option</u>	<u>Part Number</u>	<u>Qty</u>
01	Airbag Module, driver, dual stage*	Includes Lotus badge	Non USA/GCC up to vin BH_11177	A132U6014F	1
01a	Airbag Module, driver, dual stage federal*		All USA, all markets from vin BH_11178	A132U0551F	1
02	Airbag Module, passenger, dual stage*		Non USA/GCC up to vin BH_11177	A132U6015F	1
02a	Airbag Module, passenger, dual stage federal*		All USA, all markets from vin BH_11178	A132U0494F	1
03	Rotary Contact Unit, SIR wheel*		Common	A132M6072F	1
04	ECU, airbag control*		Non USA/GCC up to vin BH_11177	B132M6067F	1
04a	ECU, airbag control *		All USA, all markets from vin BH_11178	A132M0208F	1
05	Airbag Forward Crash Sensor		Non USA/GCC up to vin BH_11177	B132B6021F	2
06	Bracket, ECU mounting		Common	B132A0261F	1
07	Bracket, sensor to front subframe		Non USA/GCC up to vin BH_11177	A132A0314F	2
08	Screw, M6 x 16, hex. flg. hd., bracket & ECU retention			A132W5003F	11
09	Nyloc Nut, M6, passenger airbag & sensors fixing			A075W3009F	6
10	Washer, flat, M6 x 15 x 1.5, pass. airbag & sensors fixing			A082W4133F	6

EVORA

Function Code 17.35 Other Electrical, SIR: Inflator Modules, DERM & Sensors

<u>Dep</u>	<u>Part Description</u>	<u>Remarks</u>	<u>Option</u>	<u>Part Number</u>	<u>Qty</u>
11	Screw, M8 x 20, button hd., black, pass. airbag to chassis	Use with non USA/GCC airbag, item 02	Euro	A075W7022F	2
11a	Screw, M10 x 20, button hd., black, pass. airbag to chassis	Use with Federal airbag, item 02a	All USA, all markets from vin BH_11178	A132W5040F	2
12	Washer, flat, M8 x 16.5 x 1.6 S/S, pass. airbag to chassis	Use with non USA/GCC airbag, item 02	Euro	A111W4175F	2
12a	Washer, flat, M10 x 20 x 1.8 S/S, pass. airbag to chassis	Use with Federal airbag, item 02a	All USA, all markets from vin BH_11178	A075W4024Z	2
13	Screw, M6 x 20, hex. flg. hd, sensor to bracket			A132W5004F	2
14	Washer, flat, M6 x 12.1 x 1.4, sensor to bracket			A075W4013F	2
15	Pop Rivet, bracket to subframe			A132W6018F	4
16	Cover Assembly, passenger airbag, LHD	See 14.05			1
16a	Cover Assembly, passenger airbag, RHD	See 14.05			1
17	Clip, cover to panel			B121U0117F	4
18	Airbag Nut Plate Assembly, fitted to chassis		All markets	A132A0422F	1
18a	Airbag Nut Plate Assembly, fitted to chassis		All USA, all markets from vin BH_11178	B132A0370F	1
18b	Airbag Nut Plate Assembly, fitted to chassis	M8 fixing	Euro	A132A0370F	1

*These parts can only be fitted by Lotus Dealers, who must complete and return the SIR registration card supplied with the part.



EVORA
18.01

Updated 21st December 2010

Service Parts List

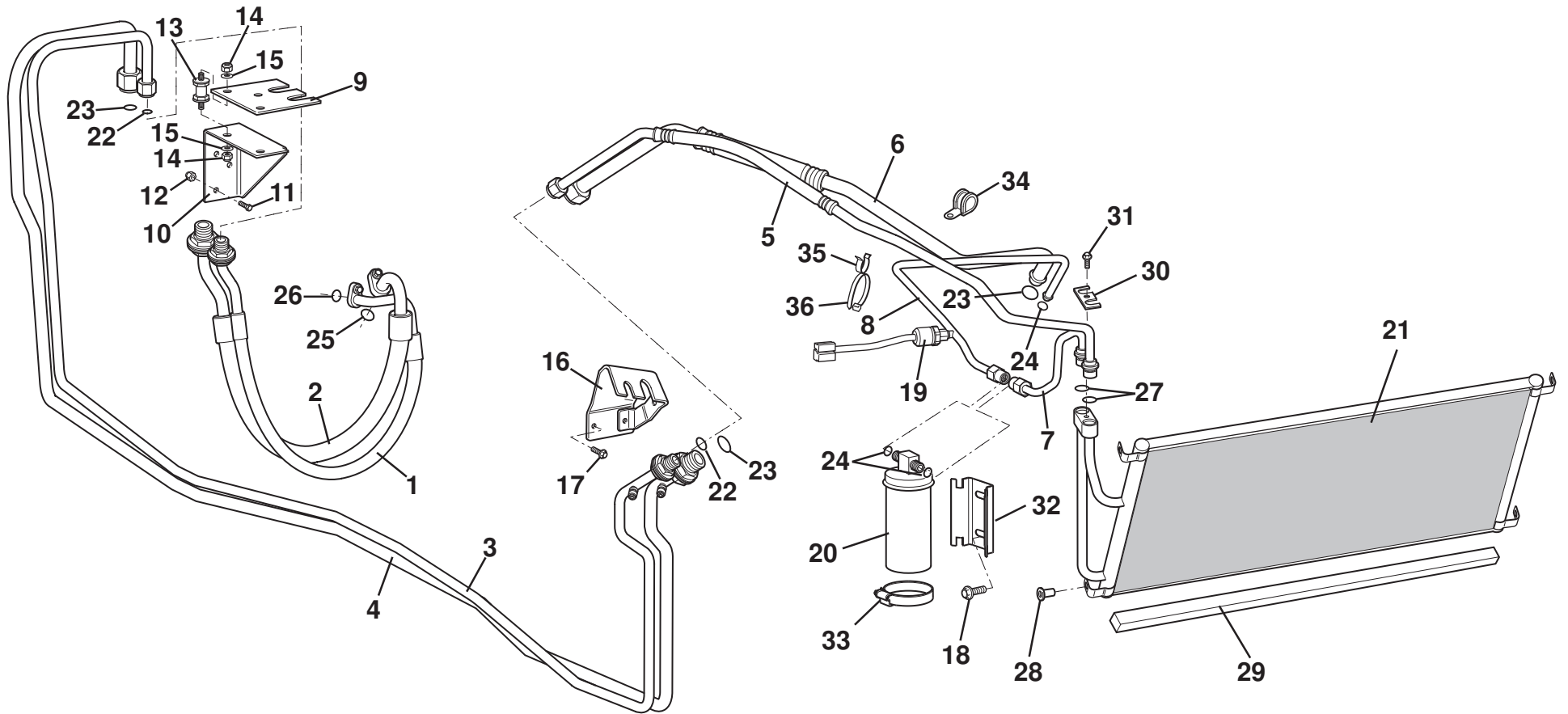


Function Code 18.01 Heater/ Air Conditioning Assemblies, Housings

<u>Dep</u>	<u>Part Description</u>	<u>Remarks</u>	<u>Option</u>	<u>Part Number</u>	<u>Qty</u>
01	Heater/AC Housing Assembly	*		D132P0003F	1
02	Actuator, distribution flaps			B132P0017H	2
03	Screw, M8 x 16, hex. flg. hd., unit fixing			A132W5013F	4
04	Bolt. M10 x 30, hex. flg. hd., unit fixing			A132W2004F	2
05	Expansion Valve (TVX)			A132P0107H	1
06	Adaptor Plate, HVAC recirculation			B132A0264F	1
07	Rivet. adaptor plate, chassis			A085W6259F	9

*The D level assembly is wider than previous levels fitted at SOP. If replacing an assembly prior to 10MY vin AH_10901 also change the RH steering rack mounting bracket with the latest level bracket see 32.03





EVORA
18.03

Updated 16th January 2013

Service Parts List

EVORA



Function Code 18.03 AC Components, Pipes, Hoses

<u>Dep</u>	<u>Part Description</u>	<u>Remarks</u>	<u>Option</u>	<u>Part Number</u>	<u>Qty</u>
01	Hose, compressor discharge			B132P0024F	1
02	Hose, compressor suction			B132P0027F	1
03	Pipe Assembly, compressor discharge			B132P0025F	1
04	Pipe Assembly, compressor suction		B132P0026F R/B	C132P0026F	1
05	Pipe Assembly, body to condensor		B132P0029F R/B	C132P0029F	1
06	Pipe, expansion valve to body pipe, suction, RHD			B132P0034F	1
06a	Pipe, expansion valve to body pipe, suction, LHD			B132P0035F	1
07	Pipe, condensor to receiver drier		B132P0030F R/B	C132P0030F	1
08	Pipe, receiver drier to expansion valve, RHD			B132P0032F	1
08a	Pipe, receiver drier to expansion valve, LHD			B132P0033F	1
09	Bracket, pipe isolator mounting			B132P0028F	1
10	Bracket, pipe mounting			B132P0050F	1
11	Setscrew, M8 x 16, hex. hd., rear bracket retention			A075W1036Z	3
12	Nyloc Nut, M8, rear bracket retention			A075W3010Z	3
13	Bobbin, pipe isolation			A132P6004F	3
14	Nyloc Nut, M5, bobbin to brackets			A075W3009Z	6
15	Washer, flat, M6 x 12 x 1.4, bobbin to brackets			A075W4013Z	6
16	Bracket, front pipes mounting			B132P0057F	1

EVORA

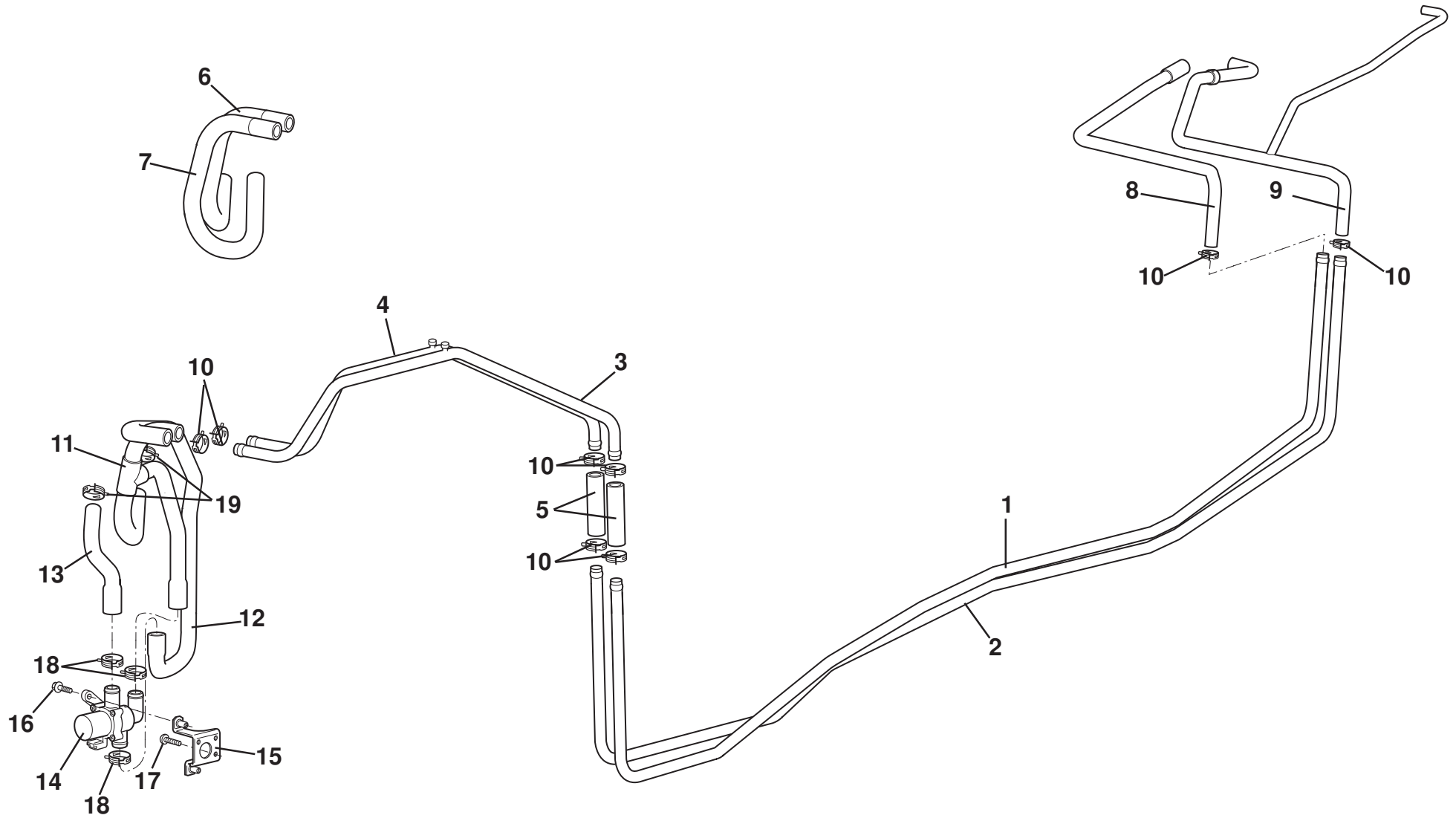
Function Code: 18.03, Page: 1

Updated 16th January 2013

Function Code 18.03 AC Components, Pipes, Hoses

<u>Dep</u>	<u>Part Description</u>	<u>Remarks</u>	<u>Option</u>	<u>Part Number</u>	<u>Qty</u>
17	Screw, M6 x 16, hex. flg. hd., front bracket to chassis			A132W5003F	2
18	Screw, M8 x 16, hex. flg. hd., receiver drier fix.			A132W5013F	2
19	Trinary Switch			A117P0059F	1
20	Receiver Drier Assembly			A132P6011F	1
21	Condenser	Riv nut item 28 not supplied as part of assy.		B132P0001F	1
22	'O' Ring, No, 8, pipe joints			A082P6079F	2
23	'O' Ring, No.12, pipe joints			A082P6081F	3
24	'O' Ring, No. 6, pipe joints			A082P6078F	5
25	'O' Ring, compressor to suction line			A120P6002H	1
26	'O' Ring, compressor to discharge line			A120P6001H	1
27	'O' Ring, 18mm O/D, condenser to pipes	Refer to Service Bulletin 2009/05		A120P6002H	2
28	Riv Nut. Condenser			A132K0065S	4
29	Foam Radiator Sealing			A132K0047F	1
30	Bracket condenser pipework retainer			A132P0064F	1
31	Bolt M6 x 14, flg hd, bracket to condenser			A116W5233F	1
32	Bracket Receiver Drier			A132P0080F	1
33	Hose Clamp, receiver drier			A132W6027F	2
34	'P' Clip			A111W6666F	1
35	Clip Pipe			A132W6047F	1
36	Clip Tie Wrap			A082W6324F	1





EVORA
18.05

Updated 27th february 2013

Service Parts List

EVORA



Function Code 18.05 Heater, Pipes, Hoses

<u>Dep</u>	<u>Part Description</u>	<u>Remarks</u>	<u>Option</u>	<u>Part Number</u>	<u>Qty</u>
01	Pipe, heater feed			B132K0022F	1
02	Pipe, heater return			B132K0023F	1
03	Pipe, heater feed, front			B132K0036F	1
04	Pipe, heater return, front			B132K0037F	1
05	Hose, pipes connecting			B132K0014F	2
06	Hose, heater return, RHD	If fitted	Non water valve	B132K0018F	1
06a	Hose, heater return, LHD	If fitted	Non water valve	B132K0019F	1
07	Hose, heater feed, RHD	If fitted	Non water valve	B132K0016F	1
07a	Hose, heater feed, LHD	If fitted	Non water valve	B132K0017F	1
08	Hose, heater feed, re-circ. pump to heater			B132K0005F	1
09	Hose, heater return			C132K0006F	1
10	Hose Clamp, hoses to pipes			A116K6016F	8
11	Hose, heater by-pass feed, RHD			A132K0056F	1
11a	Hose, heater by-pass feed, LHD			A132K0055F	1
12	Hose, heater by-pass return, RHD	Fitted with internal restrictor	From vin A_11360	B132K0058F	1
12a	Hose, heater by-pass return, LHD	Fitted with internal restrictor	From vin A_11360	B132K0057F	1
13	Hose, water valve to heater, RHD			A132K0060F	1
13a	Hose, water valve to heater, LHD			A132K0059F	1

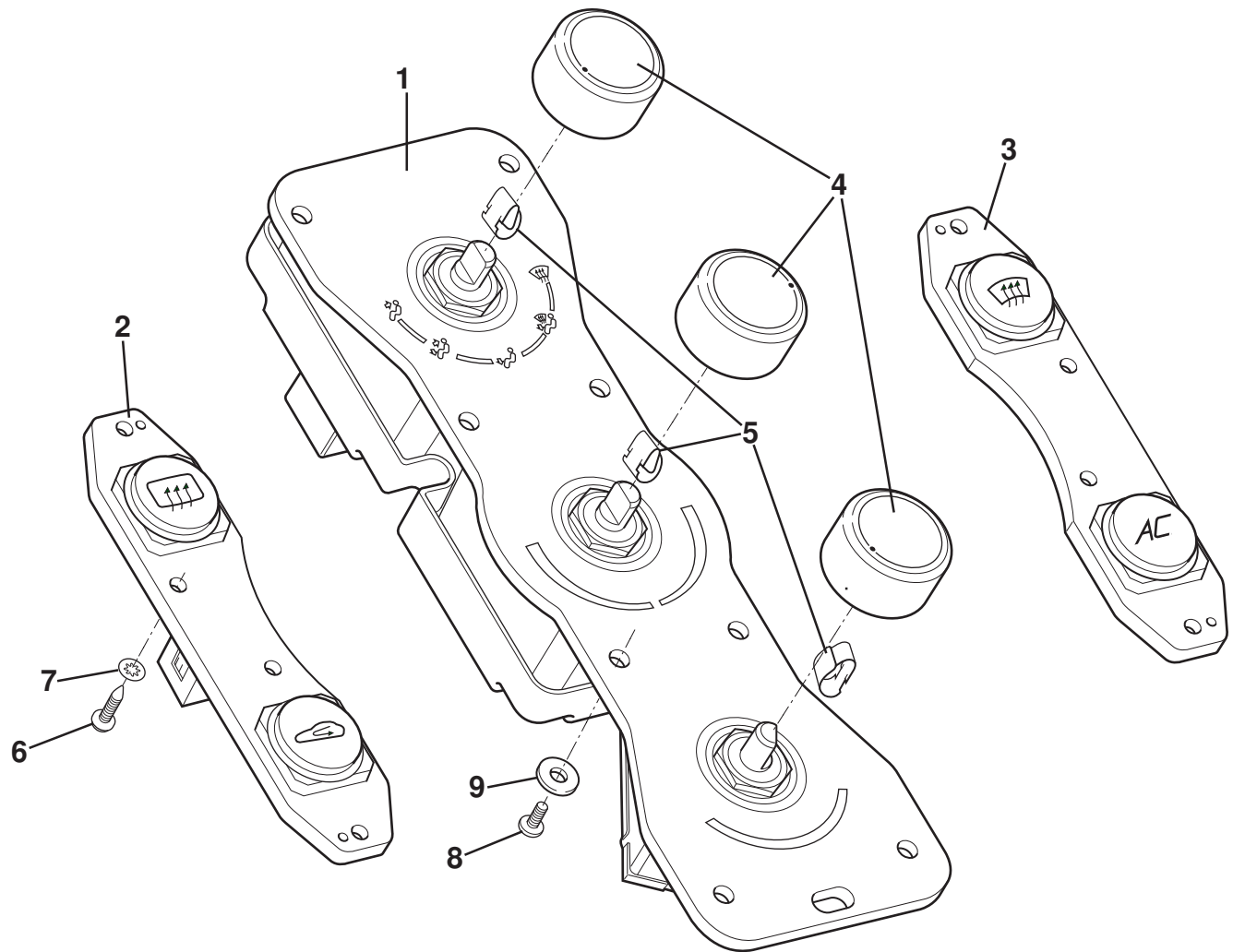
EVORA

Function Code: 18.05, Page: 1

Updated 27th february 2013

Function Code 18.05 Heater, Pipes, Hoses

<u>Dep</u>	<u>Part Description</u>	<u>Remarks</u>	<u>Option</u>	<u>Part Number</u>	<u>Qty</u>
14	Water Valve, heater by-pass			A132P6005F	1
15	Bracket, water valve mounting			A132P0105F	1
16	Bolt, M6 x 20, hex. flg. Hhd., valve to bracket			A117W2203F	2
17	Screw, M6 x 25, button hd., bracket fixing			A075W7016Z	3
18	Hose Clamp, hoses to water valve			A132W6021F	3
19	Hose Clamp, hoses to pipes			A132W6022F	2



EVORA

18.09

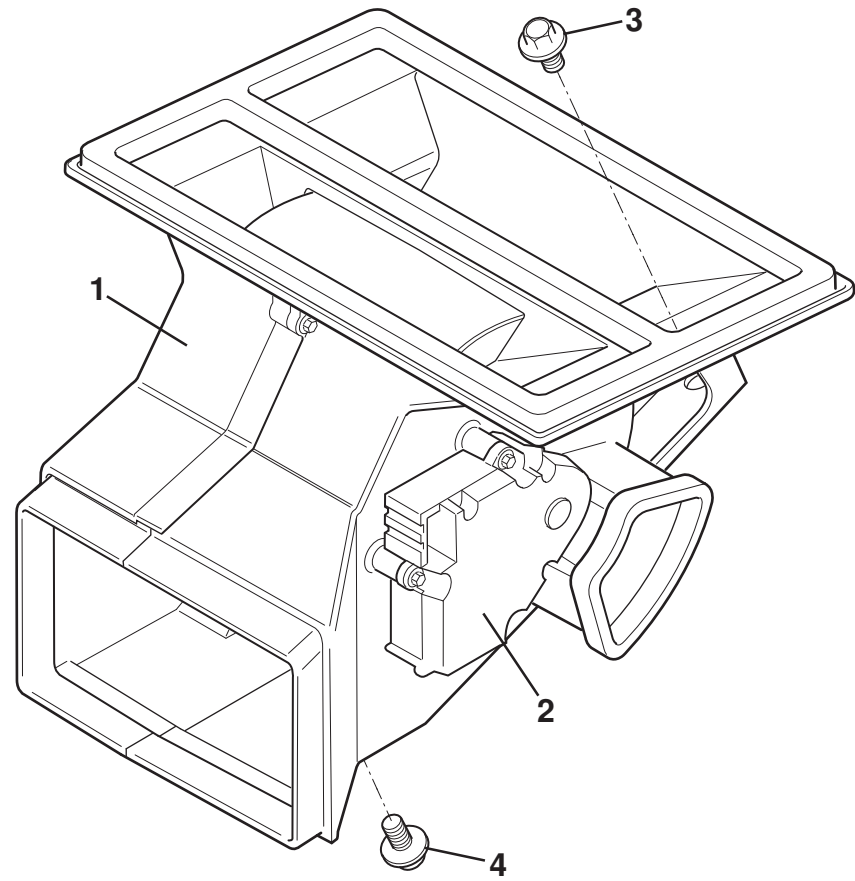
2010/01

Service Parts List



Function Code 18.09 Driver Operated Controls

<u>Dep</u>	<u>Part Description</u>	<u>Remarks</u>	<u>Option</u>	<u>Part Number</u>	<u>Qty</u>
01	Switch Panel Assembly, HVAC			B132M0039F	1
02	Switch Panel Assembly, RECIRC-HRS			B132M0103F	1
03	Switch Panel Assembly, AC-demist			B132M0104F	1
04	Knob, HVAC controls			B132U0154F	3
05	Clip, spring, HVAC knob retaining			A132W6034F	3
06	Screw, M3 x 8, flg. pan. pozi. S/T, switch panel to finisher			A132W5020F	8
07	Washer, shakeproof, M3, switch panel to finisher			A132W4001F	8
08	Screw, M3 x 6, pan pozi., switch panel to finisher			A132W5019F	8
09	Washer, flat, 1/8" x 3/8", switch panel to finisher			A075W4001Z	8



EVORA

18.12

Service Parts List

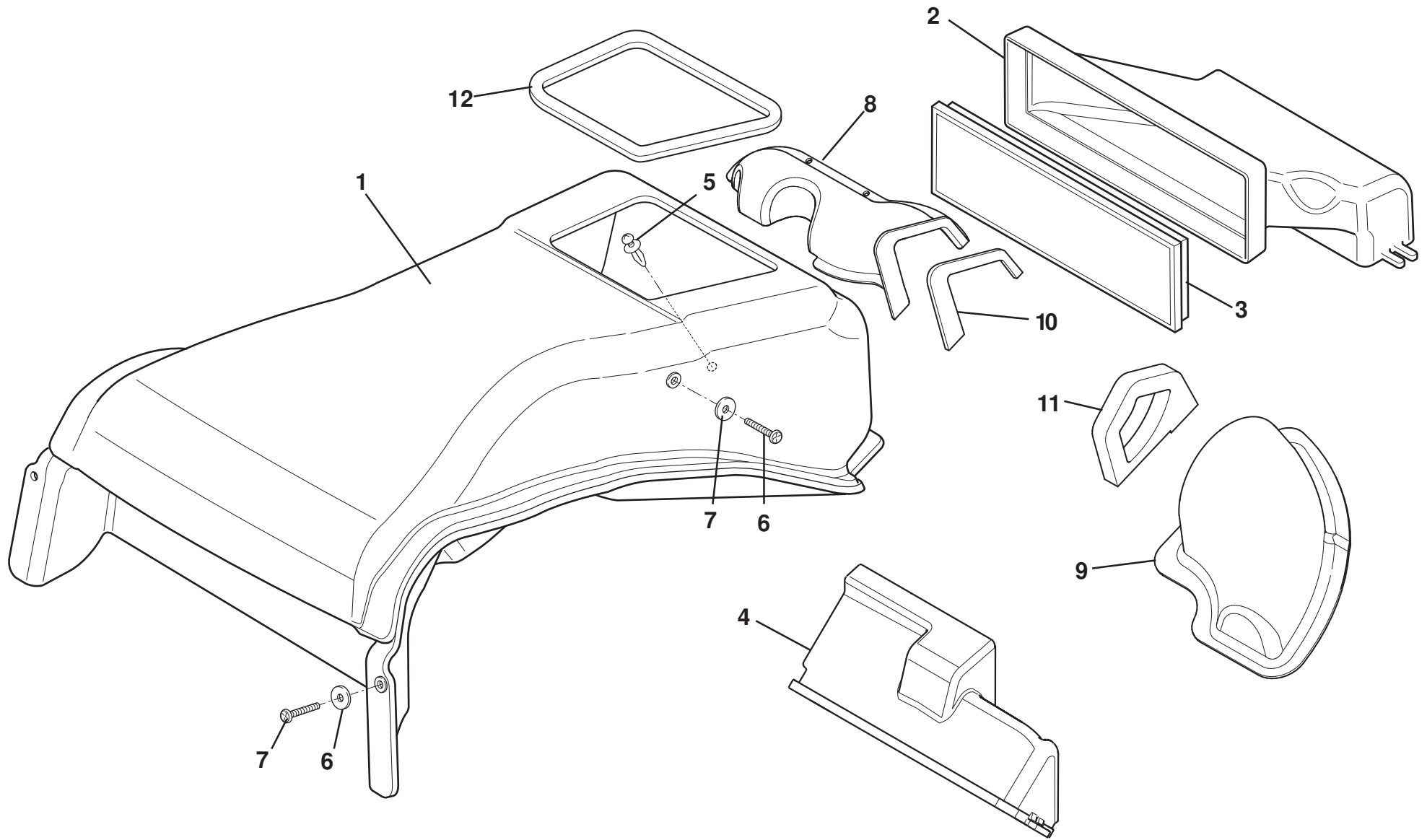
EVORA



Function Code 18.12 AC/Heater Air Distribution Plenum

<u>Dep</u>	<u>Part Description</u>	<u>Remarks</u>	<u>Option</u>	<u>Part Number</u>	<u>Qty</u>
01	Air Distribution Unit			B132P0047F	1
02	Actuator, distribution drum			A117M6052S	1
03	Screw, M8 x 16, hex. flg. hd., unit fixing			A132W5013F	2
04	Screw, M8 x 20, hex. flg. hd., unit fixing			A132W5005F	2

EVORA



EVORA
18.13

Updated 21st December 2010

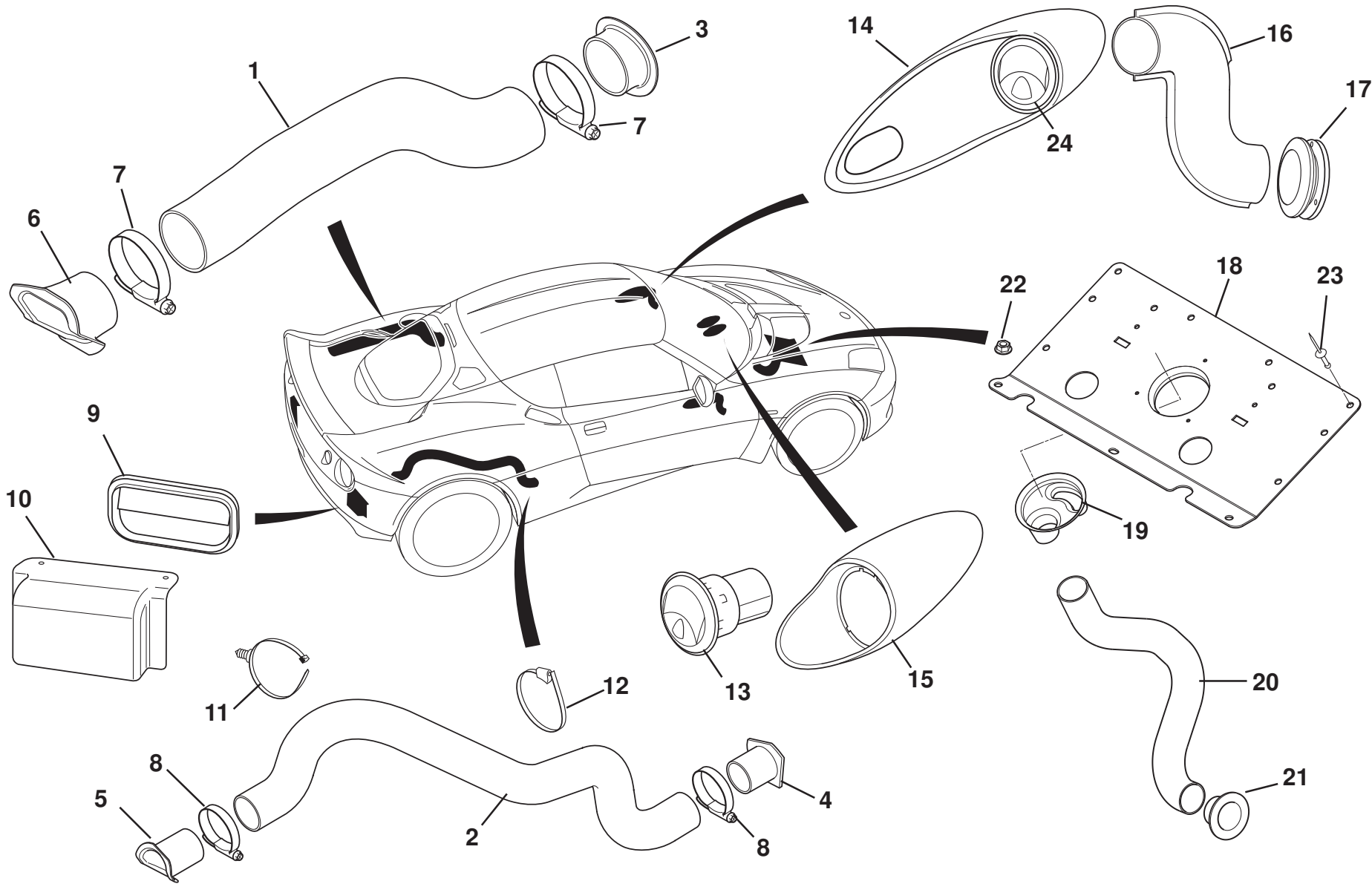
Service Parts List



Function Code 18.13 Air Trunking, Ducts & Ventilators

<u>Dep</u>	<u>Part Description</u>	<u>Remarks</u>	<u>Option</u>	<u>Part Number</u>	<u>Qty</u>
01	Duct, HVAC air intake, hot climate	Extra insulation/foil outer lining	B132U0384F R/B	A132U0536F	1
02	Duct, inlet, RHD			B132P0040F	1
02a	Duct, inlet, LHD			B132P0039F	1
03	Pollen Filter			B132P0038F	1
04	Duct, outlet, RHD			B132P0036F	1
04a	Duct, outlet, LHD			B132P0037F	1
05	Plastic Fastener, duct retention			A100W6481F	3
06	Screw, M4 x 12, pan pozi. hd. black, duct retention			A100W5143F	4
07	Washer, flat, M5 x 19, S/S black, duct retention			B082W4107F	4
08	Duct HVAC Outlet Driver Side RHD			A132P0092F	1
08a	Duct HVAC Outlet Driver Side LHD			B132P0091F	1
09	Duct HVAC ADU to Footwell RHD			B132P0063F	1
09a	Duct HVAC ADU to Footwell LHD			B132P0062F	1
10	Seal, duct HVAC outlet driver side RHD			A132P0094F	1
10a	Seal, duct HVAC outlet driver side LHD			A132P0093F	1
11	Seal, HVAC ADU to footwell LHS, RHD			B132P0019F	1
11a	Seal, HVAC ADU to footwell RHS, LHD			B132P0020F	1
12	Gasket Pollen Filter Access			A132U0537F	1





EVORA

18.13a

Updated 27th September 2012

Service Parts List



Function Code 18.13a Air Trunking, Ducts & Face Level Vents

<u>Dep</u>	<u>Part Description</u>	<u>Remarks</u>	<u>Option</u>	<u>Part Number</u>	<u>Qty</u>
01	Duct, ventilation, LH			A132P0081F	1
02	Duct, ventilation, RH			A132P0082F	1
03	Adaptor, vent to cabin, LH			A132P4003K	1
04	Adaptor, vent to cabin, RH			A132P4004K	1
05	Adaptor, vent to bootbox, RH			A132P4006K	1
06	Adaptor, vent to bootbox, LH			A132P4005K	1
07	Hose Clip, 80-100mm, LH duct to adaptors			A132W6035F	2
08	Hose Clip, 50-70mm, RH duct to adaptors			A132W6027F	2
09	Valve, non-return, cabin ventilation			A132P6010F	2
10	Shield, non-return valve, RH			A132U4424F	1
10a	Shield, non-return valve, LH			A132U4423F	1
11	Cable Tie, 280mm, with fir tree 8mm			A132W6029F	3
12	Cable Tie, stud mount			A132W6038F	1
13	Face Level Vent instrument panel			A132U0987S	2
14	Carrier, face level vent, door		black	A132U0184F	2
14a	Carrier, face level vent, door, leather		MY12, Black	A132V0813S	2
14b	Carrier, face level vent, door, leather		MY12, Ivory White	A132V0814S	2
14c	Carrier, face level vent, door, leather		MY12, Venom Red	A132V0815S	2



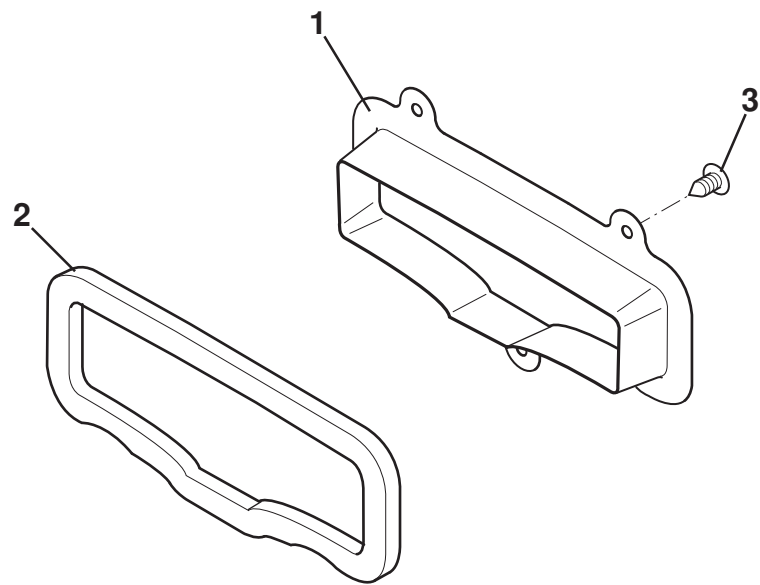
Function Code 18.13a Air Trunking, Ducts & Face Level Vents

<u>Dep</u>	<u>Part Description</u>	<u>Remarks</u>	<u>Option</u>	<u>Part Number</u>	<u>Qty</u>
14d	Carrier, face level vent, door, leather		MY12, Ash Grey	A132V0816S	2
14e	Carrier, face level vent, door, leather		MY12, Cognac Brown	A132V0817S	2
14f	Carrier, face level vent, door, leather		MY12, Cocoa Brown	A132V0818S	2
14g	Carrier, face level vent, door, leather		MY12, Imperial Blue	A132V0819S	2
14h	Carrier, face level vent, door, leather	Red stitching	MY12, Ebony Black	A132V0820S	2
14i	Carrier, face level vent, door, leather	Black stitching	MY12, Venom Red	A132V0821S	2
14j	Carrier, face level vent, door, leather	Black stitching	MY12, Cocoa Brown	A132V0822S	2
14k	Carrier, face level vent, door, leather	Black stitching	MY12, Imperial Blue	A132V0823S	2
15	Carrier, face level vent, door, leather		Black	B132U0177F	2
15a	Carrier, face level vent fascia, leather		MY12, Black	A132V0824S	2
15b	Carrier, face level vent fascia, leather		MY12, Ivory White	A132V0825S	2
15c	Carrier, face level vent fascia, leather		MY12, Venom Red	A132V0826S	2
15d	Carrier, face level vent fascia, leather		MY12, Ash Grey	A132V0827S	2
15e	Carrier, face level vent fascia, leather		MY12, Cognac Brown	A132V0828S	2
15f	Carrier, face level vent fascia, leather		MY12, Cocoa Brown	A132V0829S	2
15g	Carrier, face level vent fascia, leather		MY12, Imperial Blue	A132V0830S	2
15h	Carrier, face level vent fascia, leather	Red stitching	MY12, Ebony Black	A132V0831S	2
15i	Carrier, face level vent fascia, leather	Black stitching	MY12, Venom Red	A132V0832S	2
15j	Carrier, face level vent fascia, leather	Black stitching	MY12, Cocoa Brown	A132V0833S	2
15k	Carrier, face level vent fascia, leather	Black stitching	MY12, Imperial Blue	A132V0834S	2
16	Duct, assembly, door FLV, LH			B132V4229J	1



Function Code 18.13a Air Trunking, Ducts & Face Level Vents

<u>Dep</u>	<u>Part Description</u>	<u>Remarks</u>	<u>Option</u>	<u>Part Number</u>	<u>Qty</u>
16a	Duct, assembly, door FLV, RH			B132V4230J	1
17	Bellows, door FLV duct			A132U0030F	2
18	Access Cover, pedal box opening			C132A0257F	1
19	Adaptor Duct, underbody		LHD	A132P0112F	1
20	HVAC Footwell Duct		LHD	A132P0113F	1
21	Adaptor Duct		LHD	A132P0114F	1
22	Nut M6, hex flg, access cover, chassis			A117W3180F	3
23	Rivet, access cover, chassis			A089W6297F	8
24	Face Level Vent, door			A132V0315K	2



EVORA

18.14

Function Code 18.14 AC Air Recirculation System

<u>Dep</u>	<u>Part Description</u>	<u>Remarks</u>	<u>Option</u>	<u>Part Number</u>	<u>Qty</u>
01	Cowl. HVAC recirc. air inlet			A132P0056F	1
02	Foam Seal, cowl to bulkhead			A132P0014F	1
03	Fir Tree Fastener, button hd., cowl fixing			A132W6006F	3

13

FUEL CONSUMPTION

LOTUS EVORA
MANUAL/PETROL

Fuel Consumption (litres/100km)	CO ₂ Emissions (g/km)
8.5 Combined	199 Combined
12.1 Urban	Urban
6.3 Extra Urban	Extra Urban

Vehicle tested in accordance with EN 15709 (EU) and EPA procedures. Actual fuel consumption and CO₂ emissions depend on driving style and vehicle condition. Values are estimates and not for sale.

23

This Vehicle is Equipped with Advanced Air Bags
Even with Advanced Air Bags

Children can be killed or seriously injured by the air bag. The back seat is the safest place for children. Never put a rear-facing child seat in the front. Always use seat belts and child restraints. See owner's manual for more information about air bags.

4

MANUFACTURED BY
NAT TYPE APPR NO.
VEHICLE IDENT NO.

LOTUS CARS LTD
O+ A +
SCCTC12219HN1000

MAX VEHICLE WEIGHT
MAX COMBINED WEIGHT
MAX AXLE WT FRONT
MAX AXLE WT REAR

1- Kg
2- Kg

VIN.

PAINT CODE

1

E1				
LOTUS				
A132U0142				

22

Prevent the environment, choose eth-ox with higher scores.

Global Warming Score

Smog Score

5 4

0 100 100 0

0 100 100 0

2



3

OBD

21

PARTS CONTENT INFORMATION
FOR VEHICLES IN THIS COUNTRY, US & CANADIAN PARTS CONTENT IS MAJOR SOURCE OF FOREIGN PARTS CONTENT:

UNITED KINGDOM: SOK
JAPAN: 15C

Note: parts content does not include final assembly, distribution or other non-part costs.

FOR THIS VEHICLE:
FINAL ASSEMBLY POINT: NORFOLK, NORFOLK, UK
COUNTRY OF ORIGIN: JAPAN
ENGINE: JAPAN
TRANSMISSION: JAPAN

A132U0297

15



14



24

WARNING

DO NOT Place rear-facing child seat on this seat with airbag

DEATH OR SERIOUS INJURY can occur

A132U0315

25

WARNING
EVEN WITH ADVANCED AIR BAGS

- Children can be killed or seriously injured by the airbag
- The back seat is the safest place for children
- Never put a rear-facing child seat in the front
- Always use seat belts and child restraints
- See owner's manual for more information about air bags

TYRE INFORMATION - AUSTRALIA
Lotus Cars Ltd - Lotus Evora

Size	Load Index	Speed Rating
Front: 230/25 R17	230	V (210 km/h)
Rear: 230/25 R17	230	V (210 km/h)

See Owner's manual for additional information

11

REFIT FILLER CAP TURN COUNTERS UNTIL 3 CLICKS

PREMIUM UNLEADED FUEL ONLY

5

6

MAXIMUM ALLOWABLE MASS IN LUGGAGE COMPARTMENT: __kg

A132U0136

16

WARNING OIL LEVEL

MAXIMUM DO NOT EXCEED

MEDIUM

ADD OIL-INCREASED RISK OF ENGINE WEAR

FOR OPTIMUM PROTECTION KEEP OIL LEVEL CLOSE TO TOP MARK

10

SCCTC12219HN1000



9



7

TYRE AND LOADING INFORMATION

SEATING CAPACITY: TOTAL 4 | FRONT 2 | REAR 2

The combined weight of occupants and cargo should never exceed 425 kg or 930 lbs.

TYRE	SIZE	LOAD INDEX	SEE OWNER'S MANUAL FOR ADDITIONAL INFORMATION
FRONT			
REAR			
SPARE	NONE	NONE	

12

MANUFACTURED BY LOTUS CARS LTD

MAXIMUM GROSS WEIGHT OF MANUFACTURE: 1600 kg (3527 lbs)

GROSS WEIGHT OF MANUFACTURE: 1600 kg (3527 lbs)

GROSS AXLE WEIGHT RATING: 1600 kg (3527 lbs)

REAR: 1600 kg (3527 lbs)

THIS VEHICLE CONFORMS TO ALL APPL CARB EMISSION AND SAFETY STANDARDS IN EFFECT ON THE DATE OF MANUFACTURE BY OWN ABOVE.

VIN: SCCTC12219HN1000

PASSENGER CAP

17

8

WINDOW REGULATOR INCORPORATES AUTOMATIC SWITCHING. IT WILL NOT BE POSSIBLE TO SWITCH THE MOTOR OFF ONCE IT HAS STARTED ITS CYCLE.

DISCONNECT VEHICLE BATTERY BEFORE WORKING ON WINDOW LIFT SYSTEM.

MAXIMUM ALLOWABLE MASS IN LUGGAGE COMPARTMENT: 20kg

A132U0462

18



7

EVORA

19.01

Service Parts List



Function Code 19.01 Labels, Certificates, Literature etc.

<u>Dep</u>	<u>Part Description</u>	<u>Remarks</u>	<u>Option</u>	<u>Part Number</u>	<u>Qty</u>
01	Label, E mark		Euro/ROW	B132U0142F	1
02	Label, VIN barcode	Special order only	Common	A132U0127K	1
03	Label, OBD		Common	A132U0343F	1
04	Label, VIN, chassis type 122, euro	Special order only	Euro/ROW	A132U0133K	1
04a	Label, VIN, chassis type 122, federal	Special order only	USA/Canada	A132U0135F	1
04b	Label, VIN, chassis type 122, Mexico	Special order only	Mexico only	A132U0133F	1
05	Decal, fuel filler flap		Common	A121B0063F	1
06	Label, luggage loading	On tailgate	Common	A132U0136F	1
06a	Label, luggage loading, 50Kg, GCC	Not illustrated on tailgate	Gulf States only	A132U0560F	1
06b	Label, luggage loading, 50Kg, Canada	Not illustrated on tailgate	Canada only	A132U0326F	1
07	Label, jacking point arrow		Common	A132U0558F	4
08	Label, warning window regulator		Common	A132U0243F	2
09	Label, warning child seat, S. Africa		Common	A120B0211F	1
10	Label, VIN windscreen	Special order only	Common	A132U0126F	1
11	Label, tyre loading, Australia	On driver's door	Australia only	B132U0516F	1
12	Label, tyre placard, 2+2, federal, 18, 19	On driver's door	USA	A132U0552F	1
12a	Label, tyre placard, 2+0, federal, 18, 19	Not illustrated on driver's door	USA	A132U0553F	1
12b	Label, tyre placard, 2+2, federal, 19, 20	Not illustrated on driver's door	USA	A132U0688F	1



Function Code 19.01 Labels,Certificates, Literature etc.

<u>Dep</u>	<u>Part Description</u>	<u>Remarks</u>	<u>Option</u>	<u>Part Number</u>	<u>Qty</u>
12c	Label, tyre placard, 2+0, federal,19, 20	Not illustrated on driver's door	USA	A132U0743F	1
12d	Label, tyre placard, 2+2, GCC	Not illustrated on driver's door	Gulf States only	B132U0556F	1
12e	Label, tyre placard, 2+0, GCC	Not illustrated on driver's door	Gulf States only	B132U0557F	1
12f	Label, tyre placard, 2+2, Canada,18, 19	Not illustrated on driver's door	Canada only	A132U0554F	1
12g	Label, tyre placard, 2+0, Canada,18, 19	Not illustrated on driver's door	Canada only	A132U0555F	1
12h	Label, tyre placard, 2+2, Canada,19, 20	Not illustrated on driver's door	Canada only	A132U0744F	1
12i	Label, tyre placard, 2+0, Canada,19, 20	Not illustrated on driver's door	Canada only	A132U0745F	1
13	Label, fuel consumption Australia	On windscreen	Australia only	A132U0100F	1
13a	Label, fuel consumption Australia, sports ratios	Not illustrated on windscreen	Australia only	A132U0505F	1
13b	Label, fuel consumption Australia	Not illustrated on windscreen	Evora S Australia only	B132U0737F	1
13c	Label, fuel consumption Australia	Not illustrated on windscreen	Evora S Australia only, option tyre	B132U0738F	1
13d	Label, fuel consumption Australia	Not illustrated on windscreen	Auto, Australia only	A132U0739F	1
13e	Label, fuel consumption Australia	Not illustrated on windscreen	Evora S Auto	A132U0740F	1
14	Label, ISOFIX top teather logo	On rear seat	Common	A132V6059F	4
15	Label, ISOFIX logo	On rear seat	Common	A132V0288F	4
16	Label, oil level warning	On intake manifold	Common	A132U0460F	1
17	Label, federal cert DOT-2G- FE 280NA	On B pillar	USA/Canada	A132U0504F	1
17a	Label, Canadian certification	Not illustrated on B pillar	Canada only	A082U7859F	1
17b	Label, vehicle informatiom, GCC	Not illustrated on B pillar	Gulf States only	B120U0132F	1
18	Label, luggage loading, 2+0 only	On rear quarter trim	Common	A132U0462F	1

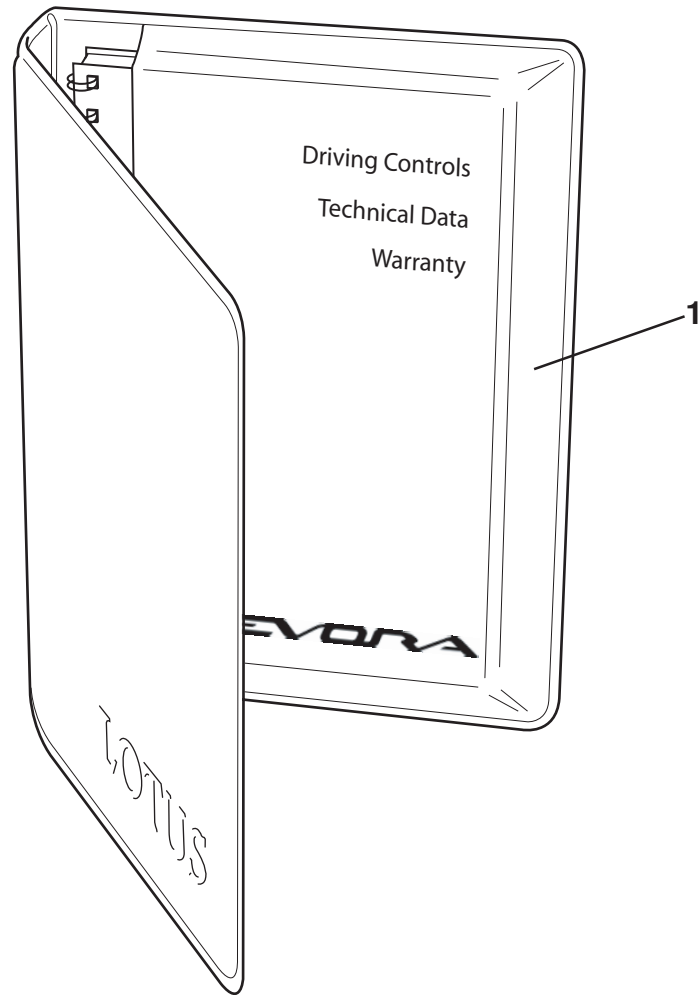


Function Code 19.01 Labels,Certificates, Literature etc.

Dep	Part Description	Remarks	Option	Part Number	Qty
18a	Label, luggage loading, 20Kg, GCC	Not illustrated on rear quarter trim	Gulf States only	A132U0561F	1
18b	Label, luggage loading, 20Kg, Canada	Not illustrated on rear quarter trim	Canada only	A132U0559F	1
19	Label, DOT, standard gearbox	Not illustrated	USA	A132U0562F	1
19a	Label, DOT, sports gearbox	Not illustrated	USA	A132U0563F	1
20	Label, emissions control 280NA MY10	On tailgate	USA/Canada	A132U0500F	1
20a	Label, emissions control 280NA MY11	Not illustrated on tailgate	USA/Canada	B132U0500F	1
20b	Label, emissions control 280NA MY12	Not illustrated on tailgate	USA/Canada	C132U0500F	1
20c	Label, emissions control 280NA MY13	Not illustrated on tailgate	USA/Canada	D132U0500F	1
20d	Label, emissions control, s/charged MY11	Not illustrated on tailgate	Evora S, USA/Canada	A132U0636F	1
20e	Label, emissions control, s/charged MY12	Not illustrated on tailgate	Evora S, USA/Canada	B132U0636F	1
20f	Label, emissions control, s/charged MY13	Not illustrated on tailgate	Evora S, USA/Canada	C132U0636F	1
21	Label, part content 280NA	On windscreen	USA/Canada	A132U0297F	1
22	Label,enf perf 2GR-FE 280 sports gearbox	On windscreen	USA	A132U0502F	1
23	Label, smart airbag warning, federal	On dash	USA	A132U0550F	1
23a	Label, smart airbag warning, Canada	Not illustrated on dash	Canada only	A132U0573F	1
24	Label, warning child seat*	On sun visor	Euro/ROW	A132U0315F	1
24a	Label, warning child seat*	Not illustrated on sun visor	Gulf States only	A121U0131F	1
25	Label, airbag warning, visor down*	On sunvisor	USA	A132U0548F	1
25a	Label, airbag warning, visor stowed*	Not illustrated on sunvisor	USA	A132U0549F	1

*Not available separately, part of sunvisor assembly, see 15.05





EVORA
19.03

Service Parts List



Function Code 19.03 Owner's Handbooks & Service Notes Manuals

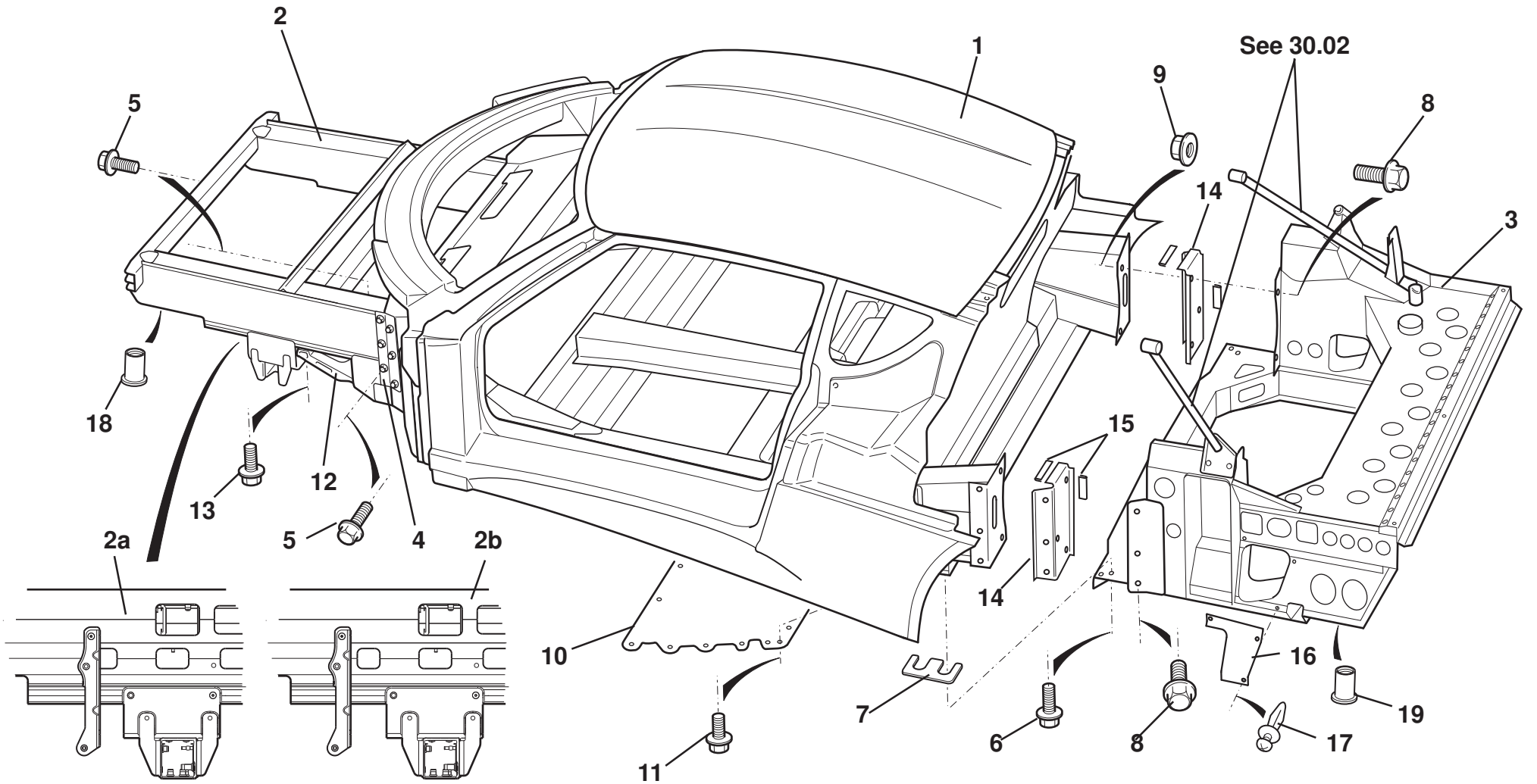
<u>Dep</u>	<u>Part Description</u>	<u>Remarks</u>	<u>Option</u>	<u>Part Number</u>	<u>Qty</u>
01	Owner's Handbook, Includes maintenance record	Non-supercharged to vin BH_11177	UK / ROW/ Japan	A132T0324J	1
01a	Owner's Handbook, Includes maintenance record	Non-supercharged to vin BH_11177	USA	B132T0324JA	
01b	Owner's Handbook, Includes maintenance record	Non-supercharged to vin BH_11177	French	A132T0324JF	
01c	Owner's Handbook, Includes maintenance record	Non-supercharged to vin BH_11177	German	A132T0324JD	
01d	Owner's Handbook, Includes maintenance record	Non-supercharged to vin BH_11177	Italian	A132T0324JI	
01e	Owner's Handbook, Includes maintenance record	Non-supercharged to vin BH_11177	GCC	A132T0324JAR	
01f	Owner's Handbook, Includes maintenance record	Evora S & non-supercharged from vin BH_11177	UK / ROW/ Japan	B132T0324J	
01g	Owner's Handbook, Includes maintenance record	Evora S & non-supercharged from vin BH_11177	USA	C132T0324JA	
01h	Owner's Handbook, Includes maintenance record	Evora S & non-supercharged from vin BH_11177	French	B132T0324JF	
01i	Owner's Handbook, Includes maintenance record	Evora S & non-supercharged from vin BH_11177	German	B132T0324JD	
01j	Owner's Handbook, Includes maintenance record	Evora S & non-supercharged from vin BH_11177	Italian	B132T0324JI	
01k	Owner's Handbook, Includes maintenance record	Evora S & non-supercharged from vin BH_11177	GCC	B132T0324JAR	

Function Code: 19.03, Page: 1

Updated 4th November 2011

Function Code 19.03 Owner's Handbooks & Service Notes Manuals

<u>Dep</u>	<u>Part Description</u>	<u>Remarks</u>	<u>Option</u>	<u>Part Number</u>	<u>Qty</u>
01l	Owner's Handbook, Includes maintenance record	'12 MY	English	C132T0324J	1
01m	Owner's Handbook, Includes maintenance record	'12 MY	French	C132T0324JF	1
01n	Owner's Handbook, Includes maintenance record	'12 MY	German	C132T0324JD	1
01o	Owner's Handbook, Includes maintenance record	'12 MY	Italian	C132T0324JI	1
01p	Owner's Handbook, Includes maintenance record	'12 MY	Arabic	C132T0324JAR	1
01q	Owner's Handbook, Includes maintenance record	'12 MY	USA	D132T0324JA	1
02	Service Notes, Dealer Portal Only		A132T0327D R/B	Dealer Portal	1
03a	Service Parts List, Dealer Portal Only		A132T0325D R/B	Dealer Portal	1
04	Workshop Manual, engine	CD		T000T1516F	1
05	Workshop Manual, manual transmission	CD		T000T1517F	1
05a	Workshop Manual, automatic transmission (IPS)	CD		T000T1526F	1
06	Labour Time Schedule, Dealer Portal Only		A132T0328D R/B	Dealer Portal	1
07	Maintenance Schedule Pack, Dealer Portal Only		LSL537C R/B	Dealer Portal	1
08	PDI Form Pack, Dealer Portal Only		LSL345E R/B	Dealer Portal	1
09	Owner's Handbook Supplement IPS	Used in conjunction with B132T0324J	11MY	LSL589	1

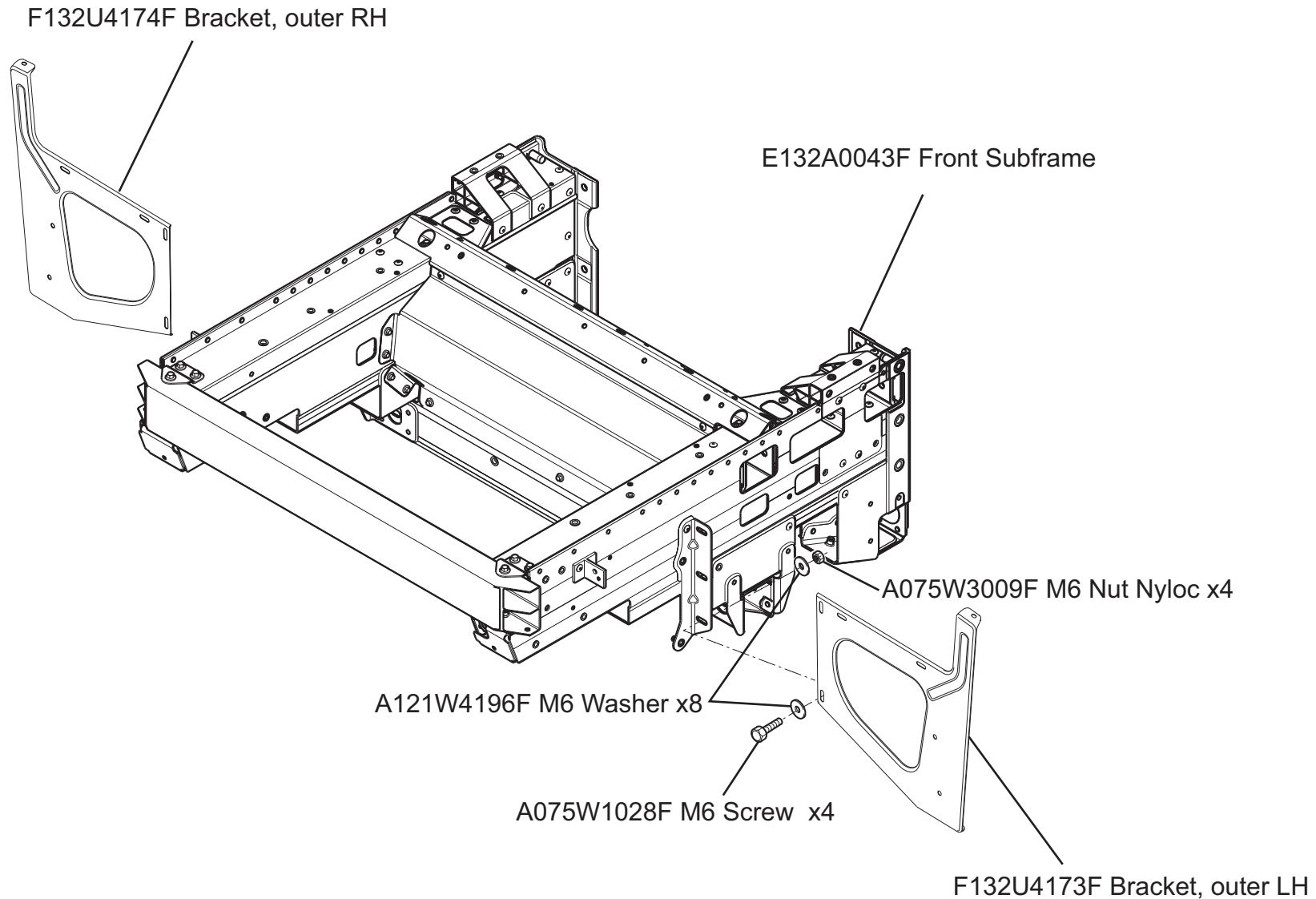


EVORA

30.01

Updated 4th November 2011

D level Front Subframe no longer available replaced by E level
Parts required to fit replacement Subframe



Updated 17th August 2012

Service Parts List



Function Code 30.01 Chassis, Subframes

<u>Dep</u>	<u>Part Description</u>	<u>Remarks</u>	<u>Option</u>	<u>Part Number</u>	<u>Qty</u>
01	Partial Body, LHD, NA man	Incl. sill pipes/hoses, MY12 pedal box, vin number reqd.	2+2, A132A4155S R/B	A132A4175S	1
01a	Partial Body, RHD, NA man	Incl. sill pipes/hoses, MY12 pedal box, vin number reqd.	2+2, A132A4156S R/B	A132A4176S	1
01b	Partial Body, LHD, S/Charged man prior MY12	Incl. sill pipes/hoses, MY12 pedal box, vin number reqd.	2+2	A132A4177S	1
01c	Partial Body, RHD, S/Charged man prior MY12,	Incl. sill pipes/hoses, MY12 pedal box, vin number reqd.	2+2	A132A4178S	1
01d	Partial Body, LHD, S/Charged Auto MY12	Incl. sill pipes/hoses, pedal box, vin number reqd.	2+2	A132A4179S	1
01e	Partial Body, RHD, S/Charged Auto MY12	Incl. sill pipes/hoses, pedal box, vin number reqd.	2+2	A132A4180S	1
01f	Partial Body, LHD, NA Auto, prior MY12	Incl. sill pipes/hoses, MY12 pedal box, vin number reqd.	2+2	A132A4181S	1
01g	Partial Body, RHD, NA Auto, prior MY12	Incl. sill pipes/hoses, MY12 pedal box, vin number reqd.	2+2	A132A4182S	1
01h	Partial Body, LHD, NA Auto, MY12	Incl. sill pipes/hoses, pedal box, vin number reqd.	2+2	A132A4183S	1
01i	Partial Body, RHD, NA Auto, MY12	Incl. sill pipes/hoses, pedal box, vin number reqd.	2+2	A132A4184S	1
01j	Partial Body, LHD, S/Charged man, MY12	Incl. sill pipes/hoses, pedal box, vin number reqd.	2+2	A132A4185S	1
01k	Partial Body, RHD, S/Charged man, MY12	Incl. sill pipes/hoses, pedal box, vin number reqd.	2+2	A132A4186S	1



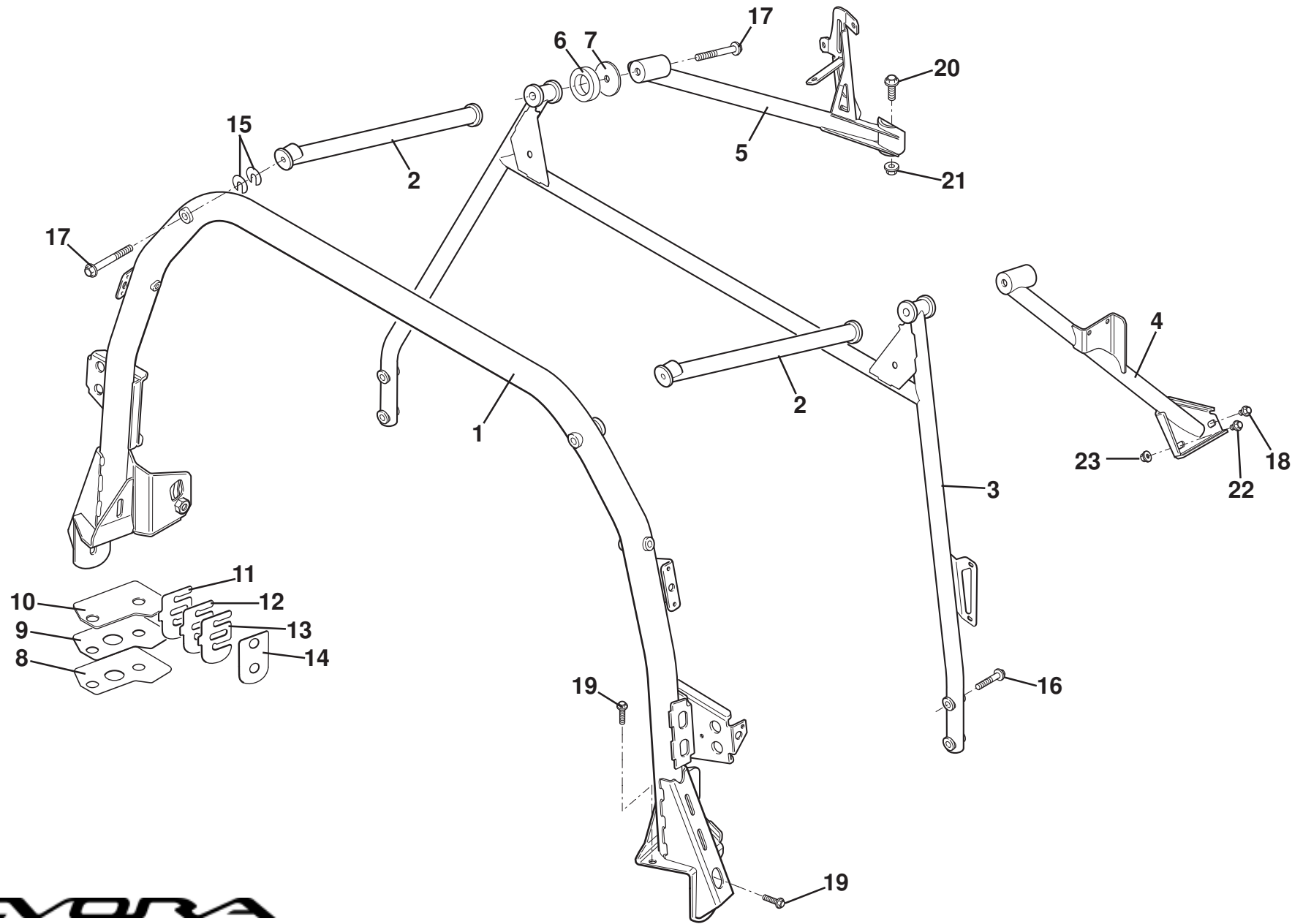
Function Code 30.01 Chassis, Subframes

<u>Dep</u>	<u>Part Description</u>	<u>Remarks</u>	<u>Option</u>	<u>Part Number</u>	<u>Qty</u>
02	Front Subframe	Without front bumper bracket mounting bonded to subframe	See LSL606	D132A0043F	1
02a	Front Subframe	With bonded front bumper bracket mounting		E132A0043F	1
02b	Front Subframe	Bonded front bumper bracket mounting relocated	USA vin BH_11174 , all markets vin, BH_11178	F132A0043F	1
03	Rear Subframe		C132A0012F R/B	G132A0012J	1
04	Cover Plate, subframe to chassis, LH			C132A4039F	1
04a	Cover Plate, subframe to chassis, RH			C132A4040F	1
05	Bolt, M10 x 30, hex. flg. hd., front subframe to chassis			A132W2004F	16
05a	Bolt, M10 x 35, hex. flg. hd., front subframe to chassis	Upper fixing LH and RH		A116W5247F	2
06	Bolt, M10 x 30, hex. flg. hd., rear subframe to chassis			A132W2004F	4
07	Shim, 1mm, rear subframe to chassis			B132A0277F	As req.
08	Bolt, M10 x 30, rear subframe to chassis			A132W2004F	10
09	Nut, M10, flange, rear subframe to chassis			A132W3005F	4
10	Shear Panel			C132A0176F	1
11	Screw, M8 x 20, he. flg. fd., sheaer panel to chassis			A132W5005F	26
12	Support, front ARB mount, LH			A132A4133F	1
12a	Support, front ARB mount, RH			A132A4134F	1
13	Bolt, M8 x 25, hex. flg. hd., support to subframe			A132W5006F	12
14	Shim LH, rear subframe to chassis			A132A4145F	1
14a	Shim RH, rear subframe to chassis			A132A4146F	1



Function Code 30.01 Chassis, Subframes

<u>Dep</u>	<u>Part Description</u>	<u>Remarks</u>	<u>Option</u>	<u>Part Number</u>	<u>Qty</u>
15	Rubber Edge Finisher			A117B6010V	As req.
16	Flap NVH			A132U0411F	2
17	Scrivet, flap, rear subframe			A100W6391F	6
18	Rivnut M8, front undertray fixing			A124A6002F	14
19	Rivnut M8, rear undertray fixing			A111W6605F	18



EVORA
30.02

Updated 14th December 2011

Service Parts List

EVORA



Function Code 30.02 Seat Belt Mounting Frames, Stays

<u>Dep</u>	<u>Part Description</u>	<u>Remarks</u>	<u>Option</u>	<u>Part Number</u>	<u>Qty</u>
01	Seat Belt Mounting Frame, front			D132A0031F	1
02	Stay, front to rear frames			B132A0112F	2
03	Seat Belt Mounting Frame, rear, 2 seat			E132A0039F	1
03a	Seat Belt Mounting Frame, rear, 4 seat			C132A0216F	1
04	Backstay, LH			D132A0032F	1
05	Backstay, RH			C132A0033F	1
06	Sealing Ring, frame to bulkhead			A132A0114F	2
07	Washer, sealing, frame to bulkhead			B132A0115F	2
08	Shim, vertical adjustment, 1mm			B132A0083F	As req.
09	Shim, vertical adjustment, 2mm			B132A0084F	As req.
10	Shim, vertical adjustment, 3mm			B32A0085F	As req.
11	Shim, lateral adjustment, 1mm			B132A0086F	As req.
12	Shim, lateral adjustment, 2mm			B132A0087F	As req.
13	Shim, lateral adjustment, 3mm			B132A0088F	As req.
14	Spacer, front, outer, lower, 2mm			A132A0296F	2
15	Shim, stay to front frame, 1mm			A132A0092F	As req.
16	Bolt, M8 x 50, hex. flg. hd., rear frame fixing			A132W2014F	4
17	Bolt, M10 x 80, hex. flg. hd., frames to stays			A132W2043F	4

EVORA

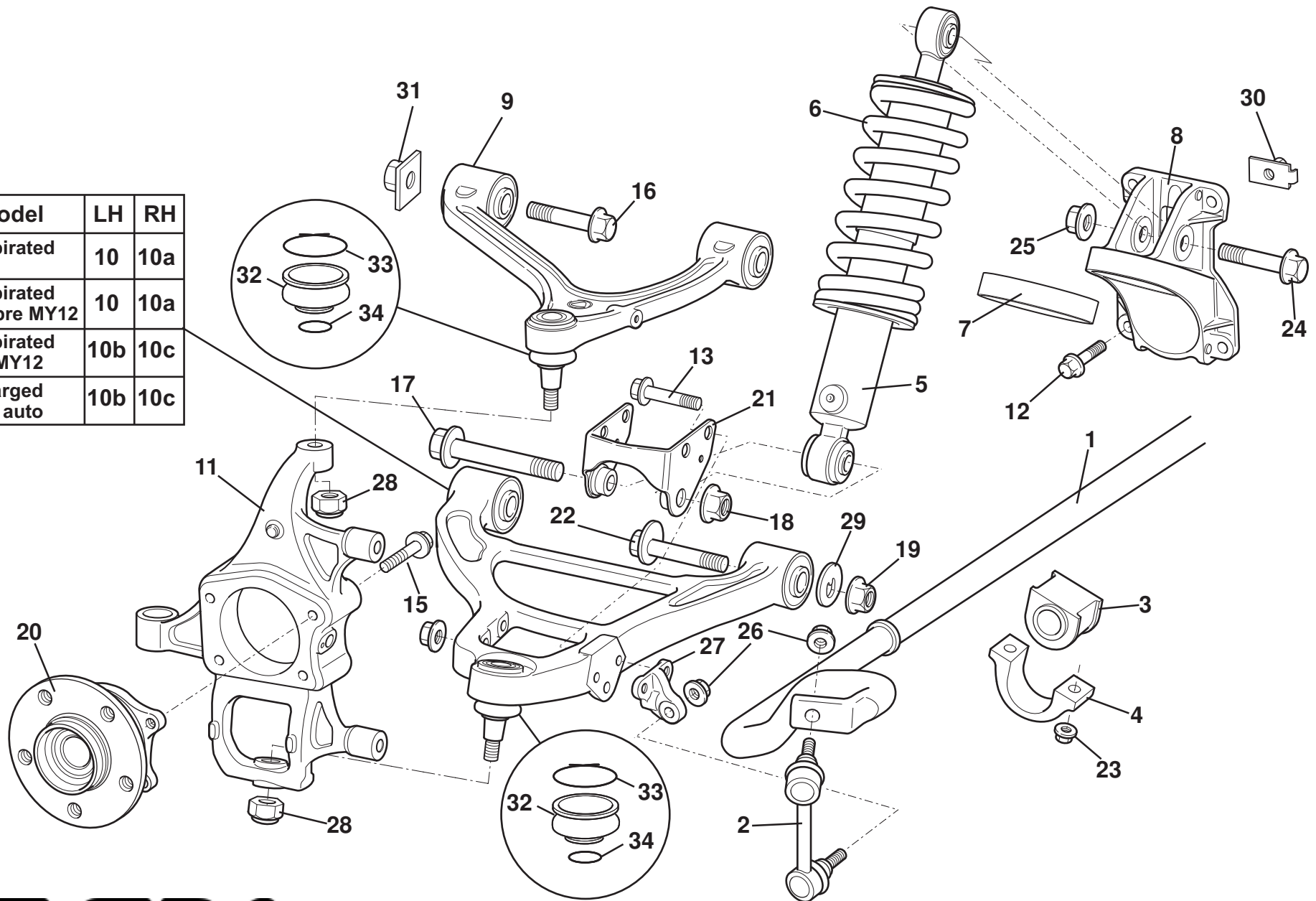
Function Code: 30.02, Page: 1

Updated 27th february 2013

Function Code 30.02 Seat Belt Mounting Frames, Stays

<u>Dep</u>	<u>Part Description</u>	<u>Remarks</u>	<u>Option</u>	<u>Part Number</u>	<u>Qty</u>
18	Screw, M8 x 14, hex. flg. hd., LH backstay fixing			A132W5012F	1
19	Bolt, M10 x 35, hex. flg. hd., front frame fixing			A116W5247F	8
20	Bolt, M10 x 30, hex. flg. hd., RH backstay fixing			A132W2004F	1
21	Nut, M10, flg., RH backstay fixing			A132W3005F	1
22	Bolt, M8 x 20, hex. flg. hd. LH backstay fixing			A132W5005F	1
23	Nut M8, LH backstay fixing			A075W3021Z	1

Model	LH	RH
N/Aspirated man	10	10a
N/Aspirated auto pre MY12	10	10a
N/Aspirated auto MY12	10b	10c
S/Charged man / auto	10b	10c



EVORA
31.01

Updated 16th July 2012

Service Parts List

EVORA



Function Code 31.01 Front Suspension, Incl. Hubs

<u>Dep</u>	<u>Part Description</u>	<u>Remarks</u>	<u>Option</u>	<u>Part Number</u>	<u>Qty</u>
01	Anti Roll Bar, front	diameter 23mm		A132C0067F	1
02	Drop Link, anti roll bar front, LH			A132C4023F	1
02a	Drop Link, anti roll bar front, RH			A132C4024F	1
03	Rubber Mount, anti roll bar	diameter 23mm		A132C6012F	2
04	Bracket, anti roll bar mount			A132C0046F	2
05	Damper			A132C0059F	2
05a	Damper		S/Charged (man & auto)	A132C0079F	2
06	Road Spring			A132C0055F	2
07	Spring Seat, rubber			B132C0007F	2
08	Mounting, spring/damper, upper			A132C0011F	2
09	Wishbone Assembly, front upper, LH	S.O.P to Sept 2010, see TSB 2011/19	NA	B132C4001F	1
09a	Wishbone Assembly, front upper, RH	S.O.P to Sept 2010, see TSB 2011/19	NA	B132C4002F	1
09b	Wishbone Assembly, front upper, LH	All Cars from Sept 2010 approx, see TSB 2011/19		C132C4001F	1
09c	Wishbone Assembly, front upper, RH	All Cars from Sept 2010 approx, see TSB 2011/19		C132C4002F	1
10	Wishbone Assembly, front lower, LH	See TSB 2011/19	NA (man & auto)	B132C4003F	1
10a	Wishbone Assembly, front lower, RH	See TSB 2011/19	NA (man & auto)	B132C4004F	1

EVORA

Function Code: 31.01, Page: 1

Updated 22nd May 2012

Function Code 31.01 Front Suspension, Incl. Hubs

<u>Dep</u>	<u>Part Description</u>	<u>Remarks</u>	<u>Option</u>	<u>Part Number</u>	<u>Qty</u>
10b	Wishbone Assembly, front lower, LH	From S.O.P, NA auto from MY12	S/Charged (man & auto)	A132C4035F	1
10c	Wishbone Assembly, front lower, RH	From S.O.P, NA auto from MY12	S/Charged (man & auto)	A132C4036F	1
11	Hub Carrier, LH			C132C4005F	1
11a	Hub Carrier, RH			C132C4006F	1
12	Bolt, M10 x 30, hex. flg. hd., mounting to subframe			A132W2004F	8
13	Bolt, M10 x 50, hex. flg. hd., damper clevis to wishbone			A132W2002F	4
14	Nut, M10, flg., damper clevis to wishbone			A132W3005F	4
15	Bolt, M10 x 30, hex. flg. hd., hub to carrier			A132W2000F	8
16	Bolt, M12 x 85, hex. flg. hd., wishbone upper to subframe			A132W2040F	4
17	Bolt, M14 x 105, hex. flg. hd., damper lower fixing			A132W2029F	2
18	Nut, M14, flg., damper lower fixing			A132W3023F	2
19	Nut, M12, flg, lower wishbone to subframe			A132W3010F	2
20	Hub Assembly			A132D0021F	2
21	Bracket, drop link to wishbone			A132C0023F	2
22	Cambolt, M12 x 95, wishbone lower			A132W2021F	4
23	Nut, M8 flg., A/R bar bracket to subframe			A132W3006F	4
24	Bolt, M12 x 85, hex. flg. hd., damper top mount			A132W2040F	2
25	Nut, M12, flg, damper top mount			A132W3022F	2
26	Nut, M12, flg. drop link fixing			A132W3022F	4
27	Bracket, ARB drop link			A132C0040F	2
28	Nyloc Nut, M12, ball joint			A132C6015S	4

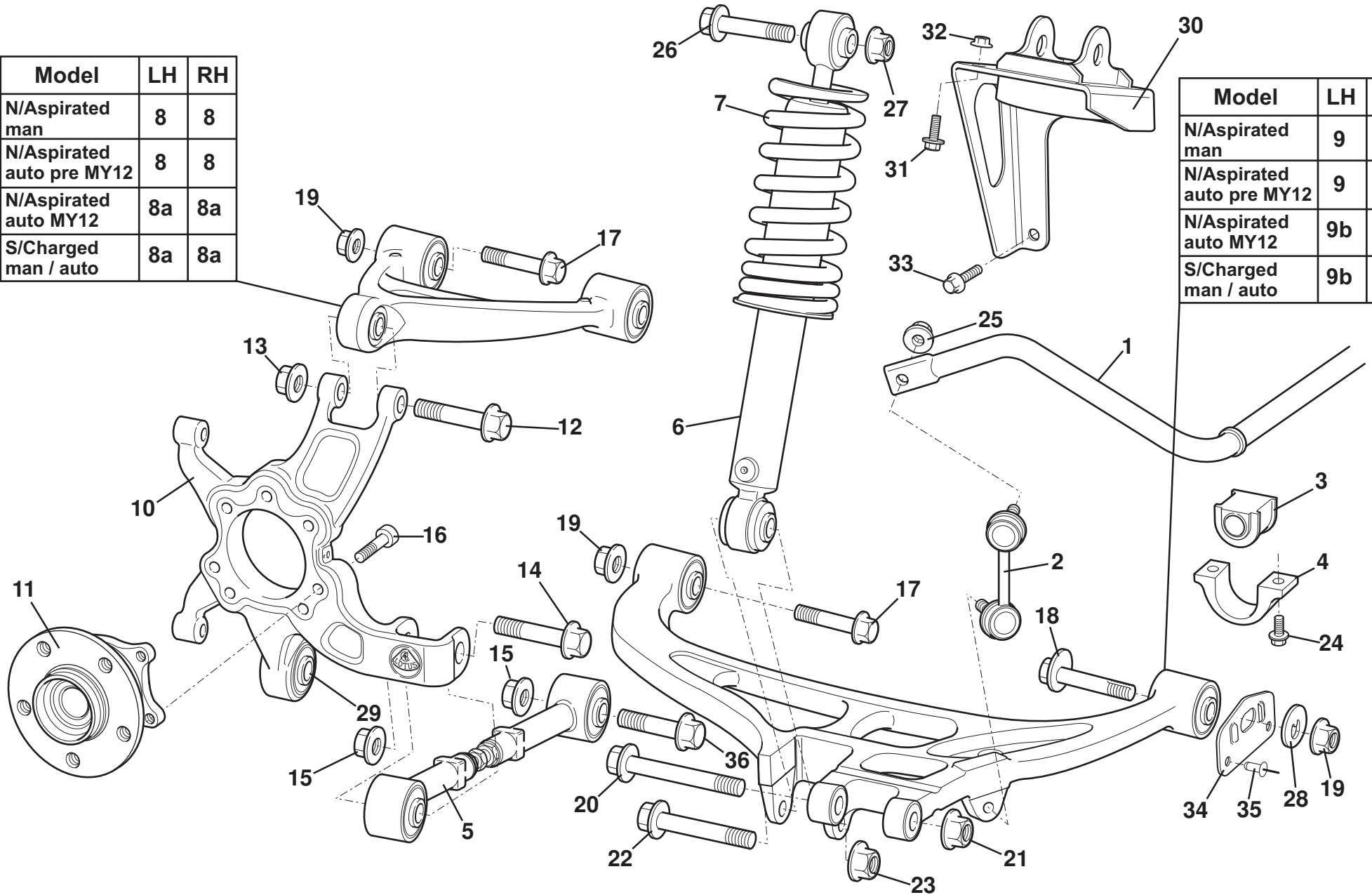


Function Code 31.01 Front Suspension, Incl. Hubs

<u>Dep</u>	<u>Part Description</u>	<u>Remarks</u>	<u>Option</u>	<u>Part Number</u>	<u>Qty</u>
29	Cam Washer, wishbone lower			A132W4000F	4
30	Nut Plate, damper mounting			A132A0292F	4
31	Nut Plate, upper wishbone mounting			A132A0130F	4
32	Rubber Boot, front wishbones upper & lower			A132C6019S	4
33	Retaining Ring, small			A132C6020S	4
34	Retaining Ring, large			A132C6021S	4

Model	LH	RH
N/Aspirated man	8	8
N/Aspirated auto pre MY12	8	8
N/Aspirated auto MY12	8a	8a
S/Charged man / auto	8a	8a

Model	LH	RH
N/Aspirated man	9	9a
N/Aspirated auto pre MY12	9	9a
N/Aspirated auto MY12	9b	9c
S/Charged man / auto	9b	9c



EVORA
31.03

Updated 22nd May 2012

Service Parts List



Function Code 31.03 Rear Suspension, Incl. Hubs

<u>Dep</u>	<u>Part Description</u>	<u>Remarks</u>	<u>Option</u>	<u>Part Number</u>	<u>Qty</u>
01	Anti Roll Bar, rear	Black diameter 21mm	NA (man & auto)	A132D0039F	1
01a	Anti Roll Bar, rear	Grey diameter 21.5mm	S/Charged (man & auto)	A132D0061F	1
02	Drop Link, anti roll bar, LH, rear			A132D4009F	1
02a	Drop Link, anti roll bar, RH, rear			A132D4010F	1
03	Rubber Mount, anti roll bar	diameter 21mm	NA (man & auto)	A132C6013F	2
03a	Rubber Mount, anti roll bar	diameter 21.5mm	S/Charged (man & auto)	A132C6016F	2
04	Bracket, anti roll bar mount			A132C0046F	2
05	Toe Link Assembly, forged, rear			A132D0045F	2
06	Damper			A132D0052F	2
06a	Damper		S/Charged (man & auto)	A132D0065F	2
07	Road Spring			A132D0050F	2
08	Wishbone Assembly, rear, upper	See TSB 2011/19	NA (man & auto)	B132D0011F	2
08a	Wishbone Assembly, rear, upper	From S.O.P, NA auto from MY12	S/Charged (man & auto)	A132D0059F	2
09	Wishbone Assembly, rear, lower, LH	From S.O.P	NA (man & auto)	B132D4001F	1
09a	Wishbone Assembly, rear, lower, RH	From S.O.P	NA (man & auto)	B132D4002F	1
09b	Wishbone Assembly, rear, lower, LH	From S.O.P, NA auto from MY12	S/Charged (man & auto)	A132D4037F	1
09c	Wishbone Assembly, rear, lower, RH	From S.O.P, NA auto from MY12	S/Charged (man & auto)	A132D4038F	1
10	Hub Carrier Assembly, LH	Includes item 29		C132D4023J	1



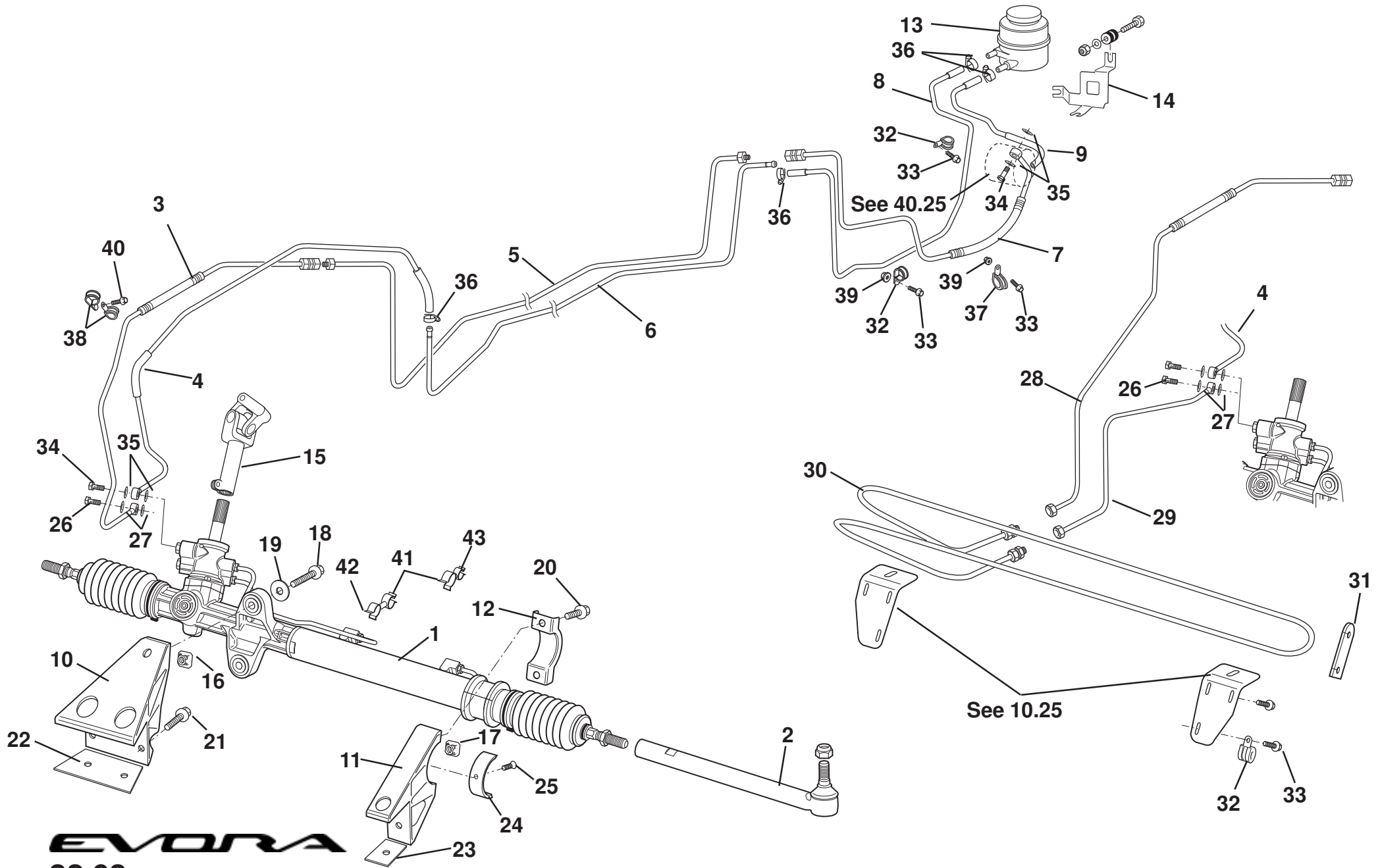
Function Code 31.03 Rear Suspension, Incl. Hubs

<u>Dep</u>	<u>Part Description</u>	<u>Remarks</u>	<u>Option</u>	<u>Part Number</u>	<u>Qty</u>
10a	Hub Carrier Assembly, RH	Includes item 29		C132D4024J	1
11	Hub Assembly			A132D0021F	2
12	Bolt, upper wishbone to hub carrier			A132W2022F	2
13	Nut, M14, flg., upper wishbone to hub carrier			A132W3023F	2
14	Bolt, M14 x 85, hex. flg. hd., toe link to hub carrier			A132W2035F	2
15	Nut, M14, flg., toe link			A132W3023F	2
16	Bolt M10 x 35, skt cap hd, hub to hub carrier			A132W2041F	8
17	Bolt, M12 x 85, hex. flg. hd., upper wishbone + lower front			A132W2040F	6
18	Cambolt, M12 x 95, lower wishbone rear			A132W2021F	2
19	Nut, M12, flg., wishbone fixing			A132W3010F	6
20	Bolt, M14 x 125, hex. flg. hd. lower wishbone outer fixing			A132W2010F	2
21	Nut, M14, flg., lower wishbone outer fixing			A132W3023F	2
22	Bolt, M14 x 105, hex. flg. hd., lower damper fixing			A132W2029F	2
23	Nut, M14, flg., lower damper fixing			A132W3023F	2
24	Screw, M10 x 20, hex. flg. hd. ARB bracket to subrame			A132W5007F	4
25	Nut, M12, flg., drop link fixing			A132W3022F	4
26	Bolt, M12 x 70, hex. flg. hd., upper damper fixing			A132C0048F	2
27	Nut, M12, flg., upper damper fixing			A132W3010F	2
28	Cam Washer, lower wishbone rear			A132W4000F	2
29	Spherical Joint, hub carrier lower			A132D6005F	2
30	Bracket, upper spring mounting, LH			C132D4015F	1



Function Code 31.03 Rear Suspension, Incl. Hubs

<u>Dep</u>	<u>Part Description</u>	<u>Remarks</u>	<u>Option</u>	<u>Part Number</u>	<u>Qty</u>
30a	Bracket, upper spring mounting, RH			C132D4016F	1
31	Screw, M8 x 20, hex. flg. hd., bracket to subframe			A132W5005F	4
32	Nut, flange, M8, bracket to subframe			A132W3006F	4
33	Screw, M10 x 20, hex. flg. hd., bracket to subframe			A132W5007F	2
34	Plate, cambolt			B132A0274F	2
35	Pop Rivet, plate to subframe			A132W6024F	4
36	Bolt, M14 x 75, hex. flg. hd., toe link to subframe			A132W2012F	2



EVORA
32.03

Updated 16th January 2013

Service Parts List

EVORA



Function Code 32.03 Power Steering unit, Reservoir, Plumbing

<u>Dep</u>	<u>Part Description</u>	<u>Remarks</u>	<u>Option</u>	<u>Part Number</u>	<u>Qty</u>
01	Steering Rack Assembly, RHD			C132H0004F	1
01a	Steering Rack Assembly, LHD			C132H0003F	1
02	Track Rod End/Ball Joint			B132H0023F	2
03	Hose Assembly, rack, pressure, RHD	Includes bolt and seals		B132H0006F	1
03a	Hose Assembly, rack, pressure, LHD	Includes bolt and seals		B132H0005F	1
04	Hose Assembly, rack, return, RHD	Includes bolt and seals		C132H0008F	1
04a	Hose Assembly, rack, return, LHD	Includes bolt and seals		C132H0007F	1
05	Pipe, pressure, side			B132H0009F	1
05a	Pipe, pressure, side		MY 12	A132H0089F	1
06	Pipe, return, side			B132H0010F	1
06a	Pipe, return, side		MY 12	A132H0088F	1
07	Hose Assembly, pressure pump to side pipe	Includes bolt and seals		B132H0011F	1
08	Hose Assembly, side pipe return to reservoir			C132H0012F	1
09	Hose Assembly, reservoir to pump			B132H0024F	1
10	Bracket, rack mounting	Also see remarks in 18.01		D132A0232F	1
11	Bracket, rack support			B132A0236F	1
12	Clamp, rack support			B132A0239F	1
13	Reservoir, power steering fluid			A132E6336S	1

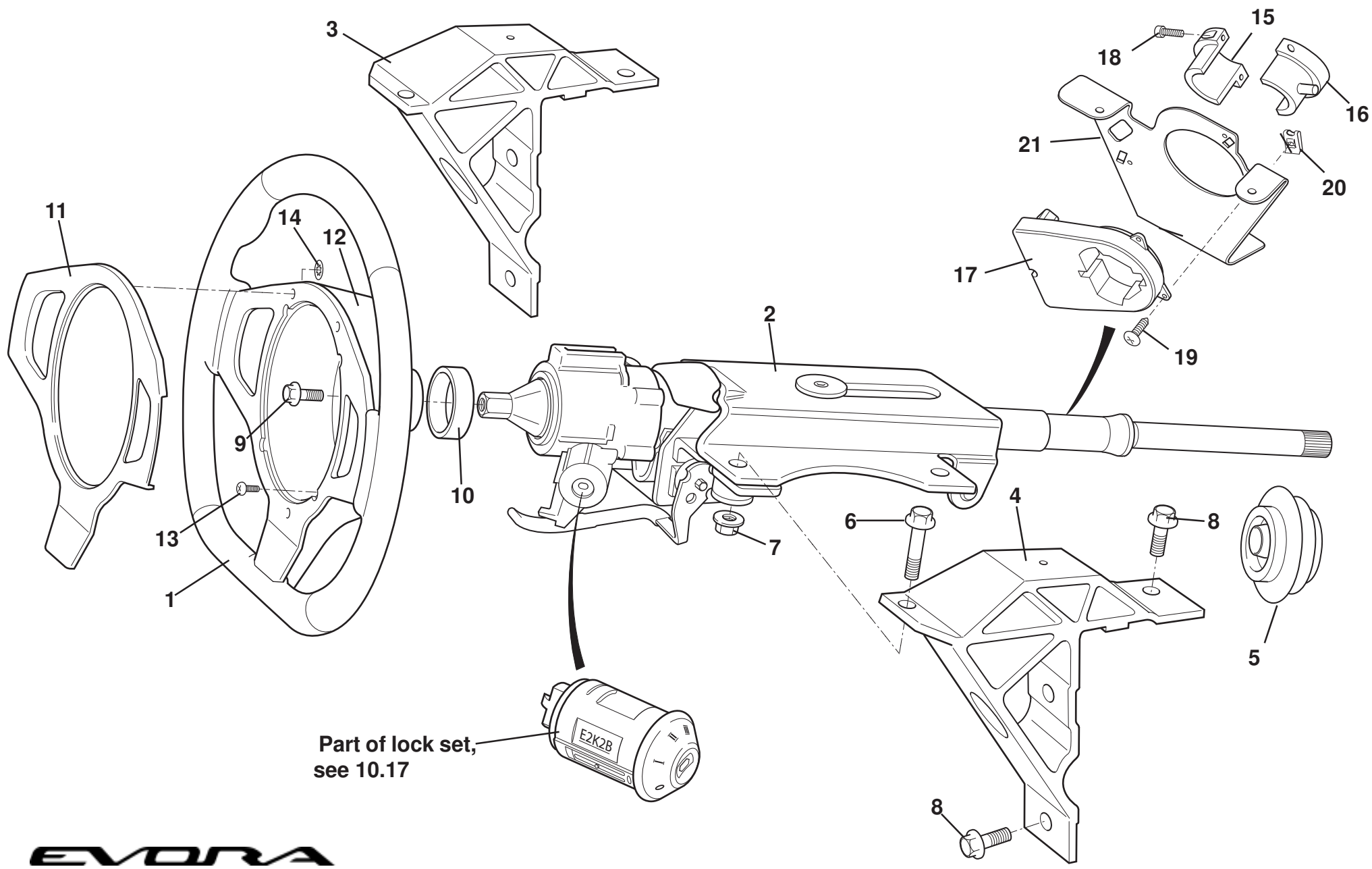
EVORA

Function Code 32.03 Power Steering unit, Reservoir, Plumbing

<u>Dep</u>	<u>Part Description</u>	<u>Remarks</u>	<u>Option</u>	<u>Part Number</u>	<u>Qty</u>
14	Bracket Assembly, reservoir mounting			A132E6337S	1
15	Universal Joint, steering column to rack			B132H0044F	1
16	Nutplate, M10, rack to mounting bracket			A132H0054F	2
17	Nutplate, M10, clamp to bracket			A132W3008F	2
18	Bolt, M10 x 50, hex. flg. fd., rack to mounting bracket			A132W2002F	2
19	Washer, flat, M10 x 32, rack to mounting bracket			A132H0063F	2
20	Screw, M10 x 20, hex. flg. fd., rack to bracket			A132W5007F	2
21	Screw, M10 x 30, hex. flg. fd., brackets to subframe			A132W2004F	6
22	Shim, 2mm, mounting bracket to subframe			A132H0046F	2
23	Shim, 2mm, bracket to subframe			A132H0049F	2
24	Insert, rack support			B132A0238F	1
25	Screw, M5 x 12, csk. skt. black, insert to bracket			A117W7207F	1
26	Banjo Bolt, M14	Supplied with hose assembly		A132H0095S	1
27	Sealing Washer, banjo connection	Supplied with hose assembly		A132H0097S	2
28	Hose Assembly, pressure, rack, cooler	Air cooled power steering		A132H0078F	1
28a	Hose Assembly, pressure, rack, cooler	Air cooled power steering	MY 12	A132H0106F	1
29	Hose Assembly, pressure, rack, cooler RHD	Air cooled power steering, Includes bolt and seals		A132H0079F	1
29a	Hose Assembly, pressure, rack, cooler LHD	Air cooled power steering, Includes bolt and seals		A132H0080F	1
30	Cooler Assembly, rack, pressure	Air cooled power steering		A132H0081F	1

Function Code 32.03 Power Steering unit, Reservoir, Plumbing

<u>Dep</u>	<u>Part Description</u>	<u>Remarks</u>	<u>Option</u>	<u>Part Number</u>	<u>Qty</u>
31	Seal, cooler assembly	Air cooled power steering		A132U0476F	4
32	Pipe Clip, cooler to bracket	Air cooled power steering		A075Q6013F	7
33	Screw, M6 x 16, hex. Flg	Air cooled power steering		A132W5003F	8
34	Banjo Bolt, M16	Supplied with hose assembly		A132H0096S	2
35	Sealing Washer, banjo connection, M16	Supplied with hose assembly		A132H0098S	4
36	Clip Jubilee 8-16mm			A132W6071F	4
37	Clip Pipe 20-25			A082W6296F	1
38	Clip Pipe			A111W6595F	2
39	Nut M6 hex, flg			A117W3180F	3
40	Screw M6 x 20 hex flg			A132W5003F	1
41	Clip Swivel, 9.5-10.5 mm	LHD, used on item 29a		A089W6296F	3
42	Clip Swivel, 60.-6.5 mm	LHD, used on item 29a		A082W6325F	2
43	Clip Swivel	LHD, used on item 29a		A082W6337F	1



EVORA
32.05

Updated 27th October 2010

Service Parts List

EVORA



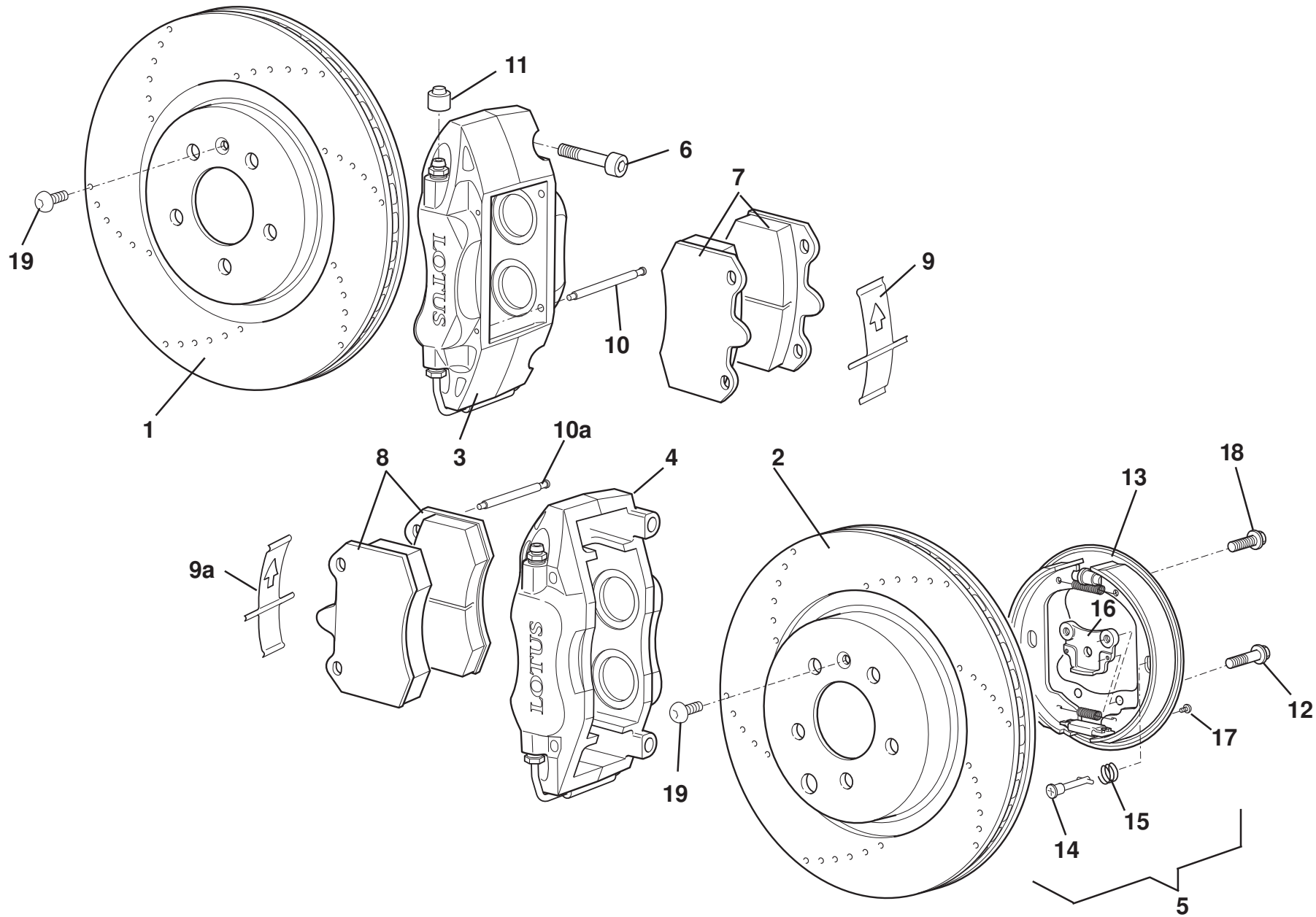
Function Code 32.05 Upper Column, Steering Wheel

<u>Dep</u>	<u>Part Description</u>	<u>Remarks</u>	<u>Option</u>	<u>Part Number</u>	<u>Qty</u>
01	Steering Wheel Assembly		MY10,11	D132U0206F	1
01a	Steering Wheel Assembly		MY12	A132V0378F	1
02	Steering Column Assembly	Supplied with ignition switch		A132H0087S	1
03	Bracket, column support, LH			A132A0315F	1
04	Bracket, column support, RH			A132A0316F	1
05	Gaiter, column through bulkhead			A132H0057F	1
06	Bolt, M8 x 45, flg. hd., bracket to column			A132W2001F	2
07	Nut, M8, flg., bracket to column			A132W3006F	2
08	Bolt, M8 x 30, flg. hd., bracket to chassis			A132W2020F	6
09	Screw, M10 x 20, hex. hd./captive washer, wheel to column			A132H6001F	1
10	Spacer, steering wheel to column	14mm R/B 16mm, see Service Bulletin 2011/11	From vin BH_11619, A132U0523F R/B	B132U0523F	1
11	Finisher Trim, steering wheel			A132V0082F	1
11a	Finisher Trim, steering wheel, black		MY12	A132V0333F	1
12	Back cover, steering wheel			A132U0351F	1
12a	Back cover, steering wheel		Auto (NA & S/Charged)	B132U0506F	1
13	Screw, M4 x 12, pan pozi. hd., cover to wheel			A132W5022F	4
14	Fastener, starlock, finisher to wheel			A132W4004F	3
15	Collar, SWA sensor LHS			A132J0101F	1

EVORA

Function Code 32.05 Upper Column, Steering Wheel

<u>Dep</u>	<u>Part Description</u>	<u>Remarks</u>	<u>Option</u>	<u>Part Number</u>	<u>Qty</u>
16	Collar, SWA sensor RHS			A132J0102F	1
17	Sensor, steering angle			A132J0092F	1
18	Screw M5 x 25 Socket hd cap, SWA collar			A132W7001F	1
19	Screw No 6 flg pozi, sensor, steering angle			A075W5012F	3
20	Nut Spire No 8, sensor, steering angle			A075W6016Z	3
21	Bracket SWA sensor RHD			B132J0100F	1
21a	Bracket SWA sensor LHD			B132J0099F	1



EVORA
33.01

Updated 4th April 2013

Service Parts List

EVORA



Function Code 33.01 Brake Discs, Calipers, & Parking Brake Assembly

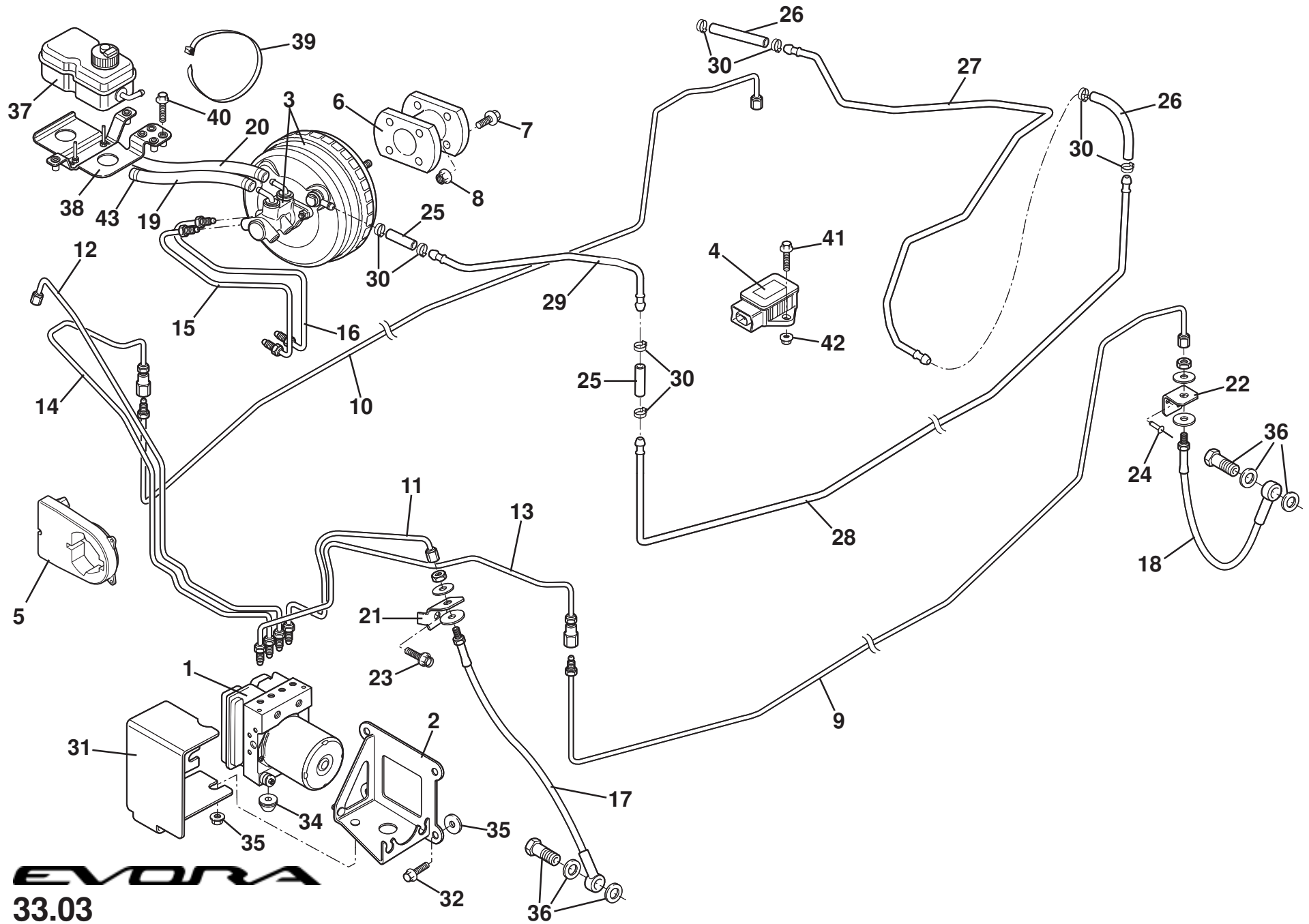
<u>Dep</u>	<u>Part Description</u>	<u>Remarks</u>	<u>Option</u>	<u>Part Number</u>	<u>Qty</u>
01	Brake Disc, front, LH, solid			B132J4017F	1
01a	Brake Disc, front, cross-drilled, LH		Sports pack / Standard Evora S	C132J4007F	1
01b	Brake Disc, front, RH, solid			B132J4018F	1
01c	Brake Disc, front, cross-drilled, RH		Sports pack / Standard Evora S	C132J4008F	1
02	Brake Disc, rear, LH, solid			B132J4019F	1
02a	Brake Disc, rear, cross-drilled, LH		Sports pack / Standard Evora S	C132J4009F	1
02b	Brake Disc, rear, RH, solid			B132J4020F	1
02c	Brake Disc, rear, cross-drilled, RH		Sports pack / Standard Evora S	C132J4010F	1
03	Brake Caliper, front, LH	Includes pads		B132J4001F	1
03a	Brake Caliper, front, black, LH	Includes pads		A132J4021F	1
03b	Brake Caliper, front, red, LH	Includes pads	MY12 Optional	A132J4045F	1
03c	Brake Caliper, front, RH	Includes pads		B132J4002F	1
03d	Brake Caliper, front, black, RH	Includes pads		A132J4022F	1
03e	Brake Caliper, front, red, RH	Includes pads	MY12 Optional	A132J4046F	1
04	Brake Caliper, rear, LH	Includes pads		B132J4003F	1
04a	Brake Caliper, rear, black, LH	Includes pads		A132J4023F	1

EVORA

Function Code 33.01 Brake Discs, Calipers, & Parking Brake Assembly

<u>Dep</u>	<u>Part Description</u>	<u>Remarks</u>	<u>Option</u>	<u>Part Number</u>	<u>Qty</u>
04b	Brake Caliper, rear, red, LH	Includes pads	MY12 Optional	A132J4047F	1
04c	Brake Caliper, rear, RH	Includes pads		B132J4004F	1
04d	Brake Caliper, rear, black, RH	Includes pads		A132J4024F	1
04e	Brake Caliper, rear, red, RH	Includes pads	MY12 Optional	A132J4048F	1
05	Parking Brake Assembly	Black painted brake shoes		B132J0145F	2
06	Bolt, M12 x 55, cap. hd., caliper to hub carrier			A132W2039F	8
07	Brake Pad set, front	Includes clips and pins		A132J0001S	1
08	Brake Pad set, rears	Includes clips and pins		A132J0002S	1
09	Clip, anti-rattle front			A132J6056S	2
09a	Clip, anti-rattle rear			A132J6061S	2
10	Pin, pad retaining front			A132J6057S	4
10a	Pin, pad retaining rear			A132J6062S	4
11	Dust Cap, bleed nipple			A132J6058S	8
12	Bolt, M10 x 30, hex. flg. hd, block to backplate			A132W2004F	4
13	Back Plate, parking brake			B132J0134F	2
14	Fastener, quarter turn, shoe retaining			A132J6047F	4
15	Spring, fastener to backplate			A132J6048F	4
16	Support Block, shoe assembly			A132J6045F	2
17	Screw, M6 x 7, button hd., block to backplate			A132W5024F	4
18	Screw, M10 x 25, hex. flg. hd., backplate to hub carrier			A132W5008F	2
19	Screw, M8 x 12 skt. hd cap, disc to hub			A111W7131F	4





EVORA
33.03

Updated 16th July 2012

Service Parts List

EVORA



Function Code 33.03 Master Cylinder, Servo, ABS Controller, Pipes & Hoses

<u>Dep</u>	<u>Part Description</u>	<u>Remarks</u>	<u>Option</u>	<u>Part Number</u>	<u>Qty</u>
01	ABS Module (cars with standard T/C)	Supplied pre-filled, dealer programmed on tech centre	Except USA up to BH_11177	A132J0095S	1
01a	ESP Module (cars with Lotus DPM), uncalibrated	Supplied pre-filled, dealer programmed on tech centre	All USA, common from BH_11178	A132J0223S	1
02	Bracket, ABS module			B132J0008F	1
03	Brake Servo and Master Cylinder Assembly			A132J6004F	1
04	Yaw Rate Sensor	Under tunnel trim		A132J0093F	1
05	Steering Angle Sensor	See 32.05		A132J0092F	1
06	Spacer, brake servo			B132J0048H	1
07	Screw M8 x 25, hex flg hd. Spacer to pedal box			A132J6026H	4
08	Nut M8 hex flg., spacer to pedal box			A132J6024H	4
09	Brake Pipe Assembly, side, LH			B132J0014F	1
10	Brake Pipe Assembly, side, RH			B132J0015F	1
11	Brake Pipe Assembly, front, LH, LHD			B132J0018F	1
11a	Brake Pipe Assembly, front, LH, RHD			B132J0025F	1
12	Brake Pipe Assembly, front, RH, LHD			B132J0019F	1
12a	Brake Pipe Assembly, front, RH, RHD			B132J0026F	1
13	Brake Pipe Assembly, front, rear brakes, LH, LHD			B132J0020F	1
13a	Brake Pipe Assembly, front, rear brakes, LH, RHD			B132J0027F	1

EVORA

Function Code: 33.03, Page: 1

Updated 21st November 2012

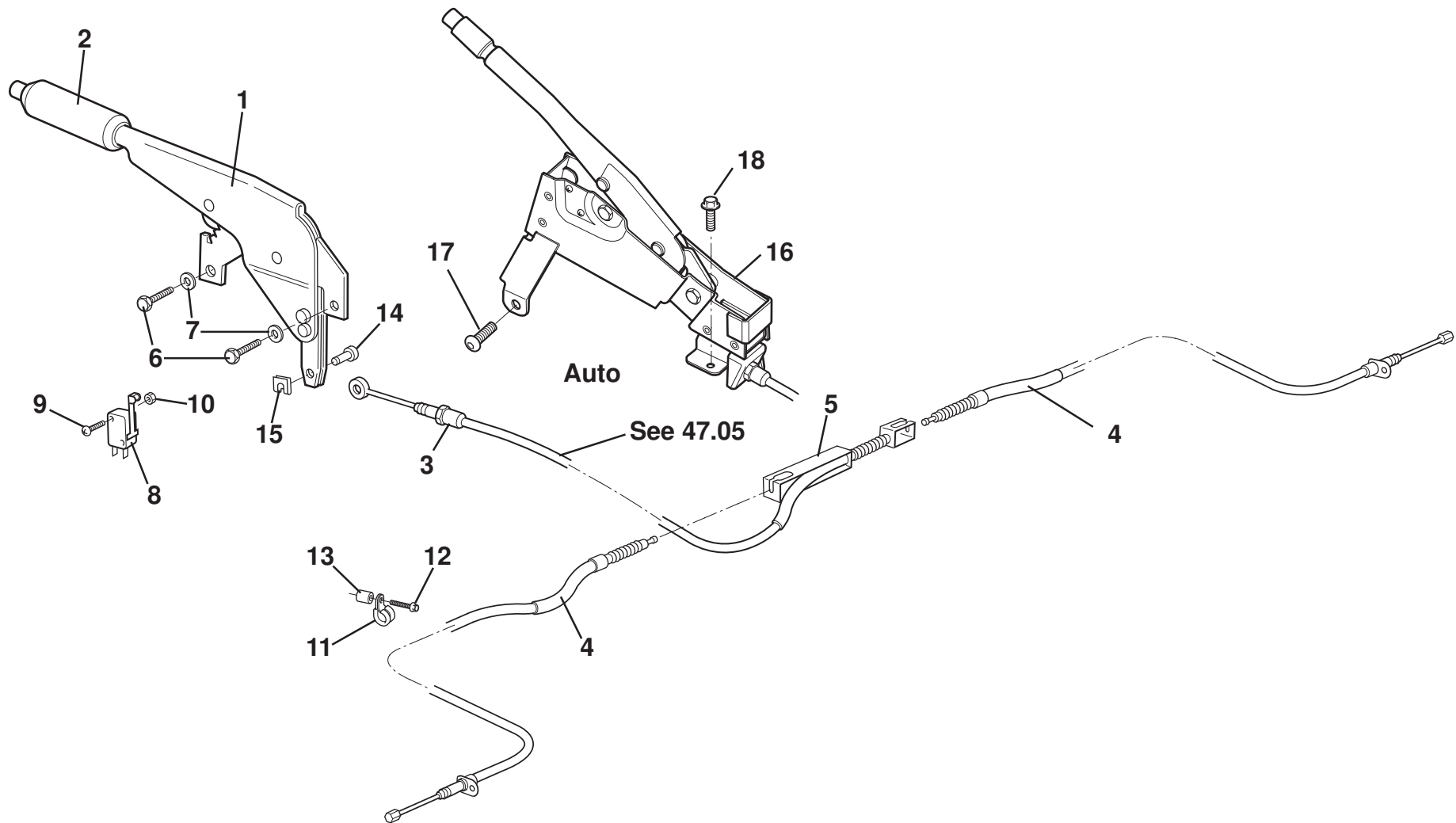
Function Code 33.03 Master Cylinder, Servo, ABS Controller, Pipes & Hoses

<u>Dep</u>	<u>Part Description</u>	<u>Remarks</u>	<u>Option</u>	<u>Part Number</u>	<u>Qty</u>
14	Brake Pipe Assembly, front, rear brakes, RH, LHD			B132J0021F	1
14a	Brake Pipe Assembly, front, rear brakes, RH, RHD			B132J0028F	1
15	Brake Pipe Assembly, M/C front to ABS module, LHD			B132J0022F	1
15a	Brake Pipe Assembly, M/C front to ABS module, RHD			B132J0029F	1
16	Brake Pipe Assembly, M/C rear to ABS module, LHD			B132J0023F	1
16a	Brake Pipe Assembly, M/C rear to ABS module, RHD			B132J0030F	1
17	Hose, braided, pipe to caliper, front			B132J0012F	2
18	Hose, braided, pipe to caliper, rear LH			A132J4037F	1
18a	Hose, braided, pipe to caliper, rear RH			A132J4038F	1
19	Hose, reservoir to M/C front, LHD	Cut to length		A132J0141V	241mm
19a	Hose, reservoir to M/C front, RHD	Cut to length		A132J0141V	241mm
20	Hose, reservoir to M/C rear, LHD	Cut to length		A132J0141V	337mm
20a	Hose, reservoir to M/C rear, RHD	Cut to length		A132J0141V	120mm
21	Bracket, brake hose front, LH			B132J4015F	1
21a	Bracket, brake hose front, RH			B132J4016F	1
22	Bracket, brake hose rear			C132J0017F	2
23	Bolt, M8 x 30, hex. flg. hd., bracket to chassis	Subframe mounting bolt		A132W2020F	2
24	Pop Rivet, pipe bracket to subframe			A085W6259F	4
25	Hose, vacuum connection, short			B132J0074F	2
26	Hose, vacuum connection, long			B132J0090F	2
27	Pipe, vacuum, rear			B132J0072F	1



Function Code 33.03 Master Cylinder, Servo, ABS Controller, Pipes & Hoses

<u>Dep</u>	<u>Part Description</u>	<u>Remarks</u>	<u>Option</u>	<u>Part Number</u>	<u>Qty</u>
27a	Pipe, vacuum, rear		S/Charged (man & auto)	A132J0224F	1
28	Pipe, vacuum, side			B132J0073F	1
29	Pipe, vacuum, front, LHD			B132J0075F	1
29a	Pipe, vacuum, front, RHD			B132J0076F	1
30	Hose Clip, vacuum hoses to pipes			A120W6739F	6
31	Cover, ABS module			A132J0137F	1
32	Screw, M8 x 20, bracket to subframe			A132W5005F	4
33	Washer, bracket to subframe			B132J0082F	4
34	Bush, module to bracket			A132J6044F	1
35	Nut, M6, flg., cover to bracket			A117W3180F	2
36	Banjo Bolt & Washers	P/O hose assembly		B132J6006J	4
37	Reservoir, brake & clutch fluid			A116J0048F	1
37a	Reservoir, brake		Auto (NA & S/Charged)	A132J0200F	1
38	Bracket Assembly, reservoir mounting			B132J0065F	1
39	Cable Tie, reservoir to bracket			B075W6045Z	1
40	Screw, M6 x 16, hex. flg. hd., bracket to wiper mech.			A132W5003F	2
41	Screw, M6 x 20, hex. flg. hd., sensor mounting			A117W2203F	2
42	Nut M6, flg., sensor mounting			A117W3180F	2
43	Clip Oetiker, reservoir hoses			A124W6818F	6



EVORA
33.05

Updated 17th February 2011

Service Parts List

EVORA



Function Code 33.05 Parking Brake Mechanism

<u>Dep</u>	<u>Part Description</u>	<u>Remarks</u>	<u>Option</u>	<u>Part Number</u>	<u>Qty</u>
01	Parking Brake Assembly, without hand grip			A132J0147F	1
02	Parking Brake Hand-Grip, alloy,leather, black			A132U0211J	1
02a	Parking Brake Hand-Grip, alloy,leather, ivory white		MY12	A132V0774S	1
02b	Parking Brake Hand-Grip, alloy,leather, venom red		MY12	A132V0775S	1
02c	Parking Brake Hand-Grip, alloy,leather, ash grey		MY12	A132V0776S	1
02d	Parking Brake Hand-Grip, alloy,leather, cognac brown		MY12	A132V0777S	1
02e	Parking Brake Hand-Grip, alloy,leather, cocoa brown		MY12	A132V0778S	1
02f	Parking Brake Hand-Grip, alloy,leather, imperial blue		MY12	A132V0779S	1
02g	Parking Brake Hand-Grip, alloy, suedetex			A132V0780S	1
02h	Parking Brake Hand-Grip, alloy,leather, ebony black	Red stitching	MY12	A132V0781S	1
02i	Parking Brake Hand-Grip, alloy,leather, venom red	Black stitching	MY12	A132V0782S	1
02j	Brake Hand-Grip, alloy,leather, imperial blue	Black stitching	MY12	A132V0783S	1
02k	Parking Brake Hand-Grip, alloy,leather, cocoa brown	Black stitching	MY12	A132V0784S	1
02l	Parking Brake Hand-Grip, alloy, suedetex	Red stitching	MY12	A132V0997S	1
03	Cable, parking brake, front			B132J0004F	1
04	Cable, parking brake, rear			C132J0005F	2
05	Equaliser, parking brake cables			A132J0116H	1
06	Screw, M8 x 25, hex. hd., lever fixing			A075W1039Z	2

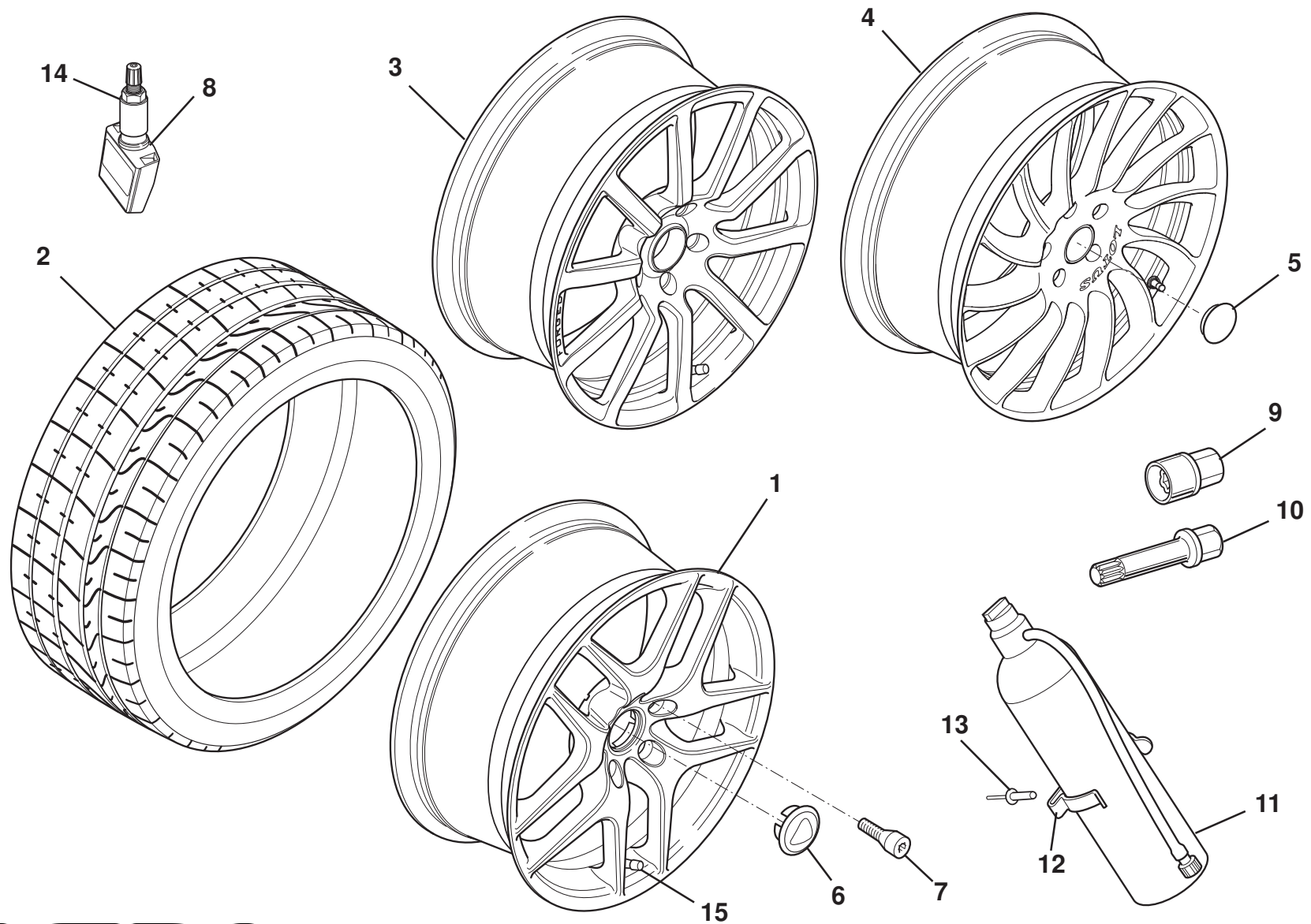
EVORA

Function Code: 33.05, Page: 1

Updated 27th february 2013

Function Code 33.05 Parking Brake Mechanism

<u>Dep</u>	<u>Part Description</u>	<u>Remarks</u>	<u>Option</u>	<u>Part Number</u>	<u>Qty</u>
07	Washer, flat, M8 x 16 x 1.4, lever fixing			A075W4020Z	2
08	Switch, parking brake tell-tale			A116J6009H	1
09	Screw, M3 x 16, pan hd. pozi., switch fixing			A082W5110F	2
10	Nyloc Nut, M3, switch fixing			A079W3060F	2
11	'P' Clip, cable retention			A075Q6013Z	2
12	Bolt, M6 x 40, hex. flg. hd., 'P' clip fixing			A132W2019F	2
13	Spacer, cable retention			A132J0115F	2
14	Clevis Pin			A132J0236S	1
15	Clip, pin retention			A132J0237S	1
16	Parking Brake and Cable Assembly		Auto NA & S/Charged	A132J0148F	1
17	Screw, M8 x 20, btn. hd., parking brake assy. Fixing		Auto NA & S/Charged	A075W7022F	2
18	Screw, M6 x 16, hex flg. hd., parking brake assy. Fixing		Auto NA & S/Charged	A132W5003F	2



EVORA

34.01

Updated 27th february 2013

Service Parts List

EVORA



Function Code 34.01 Wheels, Tyres & Valves

<u>Dep</u>	<u>Part Description</u>	<u>Remarks</u>	<u>Option</u>	<u>Part Number</u>	<u>Qty</u>
01	Road Wheel, front, ten spoke, sterling silver, 8.0J x 18			A132G0006F	2
01a	Road Wheel, rear, ten spoke, sterling silver, 9.5J x 19			A132G0007F	2
01b	Road Wheel, front, ten spoke, stealth grey, 8.0J x 18			A132G0008F	2
01c	Road Wheel, rear, ten spoke, stealth grey, 9.5J x 19			A132G0009F	2
01d	Road Wheel, front, ten spoke, HP silver, 8.0J x 18			A132G0083F	2
01e	Road Wheel, rear, ten spoke, HP silver, 9.5J x 19			A132G0084F	2
02	Tyre, front, 225/40 ZR18, Pirelli P zero			A132G6005F	2
02a	Tyre, rear, 255/35 ZR19, Pirelli P zero			A132G6006F	2
2b	Tyre, front, 235/35 ZR19, Pirelli P corsa		Optional	A132G0093F	2
2c	Tyre, rear, 275/30 ZR20, Pirelli P corsa		Optional	A132G0095F	2
02d	Winter Tyre, front, 215/40 R18, Yokohama W. drive	Not illustrated		A132G0021L	2
02e	Winter Tyre, rear, 245/35 R19, Yokohama W. drive	Not illustrated		A132G0022L	2
03	Road Wheel, forged, front, 10 spoke, anthracite, 8.0J x 18		Optional	B132G0049F	2
03a	Road Wheel, forged, rear, 10 spoke, anthracite, 9.5J x 19		Optional	B132G0050F	2
03b	Road Wheel, forged, front, 10 spoke, HP silver, 8.0J x 18		Optional	B132G0051F	2
03c	Road Wheel, forged, rear, 10 spoke, HP silver, 9.5J x 19		Optional	B132G0052F	2
03d	Road Wheel, forged, frt, 10 spoke, f1 anthracite, 8.0J x 18		Optional	A132G0077F	2
03e	Road Wheel, forged, rr, 10 spoke, f1 anthracite, 9.5J x 19		Optional	A132G0078F	2

EVORA

Function Code: 34.01, Page: 1

Updated 27th february 2013

Function Code 34.01 Wheels, Tyres & Valves

<u>Dep</u>	<u>Part Description</u>	<u>Remarks</u>	<u>Option</u>	<u>Part Number</u>	<u>Qty</u>
03f	Road Wheel, forged frt, 10 spoke, et55 anthracite, 8.0J x 19	Machined spoke faces	Optional	A132G0092F	2
03g	Road Wheel, forged, rr, 10 spoke, et69 anthracite, 9.5J x 20	Machined spoke faces	Optional	A132G0094F	2
03h	Road Wheel, forged frt, 10 spoke et55 gloss black, 8.0J x 19		MY12 Option	A132G0102F	2
03i	Road Wheel, forged rr, 10 spoke et69 gloss black, 9.5J x 20		MY12 Option	A132G0103F	2
03j	Road Wheel, forged, frt, 10 spoke et55 stealth grey, 8.0Jx19		MY12 Option	A132G0104F	2
03k	Road Wheel, forged, rr, 10 spoke,et69 stealth grey, 9.5Jx20		MY12 Option	A132G0105F	2
04	Road Wheel, forged, LHF,extreme turbine graphite 8.0J x 18	Machined spoke faces satin finish	Optional	A132G4041F	1
04a	Road Wheel, forged, RHF,extreme turbine graphite 8.0J x 18	Machined spoke faces satin finish	Optional	A132G4042F	1
04b	Road Wheel, forged, LHR,extreme turbine graphite 9.5J x 19	Machined spoke faces satin finish	Optional	A132G4043F	1
04c	Road Wheel, forged, RHR,extreme turbine graphite 9.5J x 19	Machined spoke faces satin finish	Optional	A132G4044F	1
05	Wheel centre Cap		Optional, for turbine wheel	LOTAC05519	4
06	Wheel Centre Cover, Lotus logo			A132G0011F	4
07	Wheel Bolt, socket hd.			A132G6002F	16
08	Tyre Valve/TPMS Transmitter	Does not include item 14		A121G6000F	4
09	Security Wheelbolt Kit	Incl. ID strip & instruction card*		A132G0047F	1







Function Code 34.01 Wheels, Tyres & Valves



<u>Dep</u>	<u>Part Description</u>	<u>Remarks</u>	<u>Option</u>	<u>Part Number</u>	<u>Qty</u>
10	Adaptor, wheel bolt			A132G6003F	1
11	Tyre Weld, repair canister			A132G6000F	1
12	Terry Clip, canister retaining			A132U6085F	1
13	Pop Rivet, clip to bootbox			A085W6259F	2
14	Nut, conical seal, TPMS transmitter			A121G6001F	4
15	Tyre Valve		Non-TPMS	A117G6007H	4

* For replacement keys contact
Technical Service, quoting ID





 ALS5G0003F 8.0 x 18
 ALS5G0004F 8.0 x 18
 ALS5G0005F 9.5 x 19
 ALS5G0006F 9.5 x 19
 Diamond cut





 A132G0006F 8.0 x 18
 A132G0007F 9.5 x 19
 Sterling Silver





 A132G0083F 8.0 x 18
 A132G0084F 9.5 x 19
 HP Silver





 A132G0008F 8.0 x 18
 A132G0009F 9.5 x 19
 Stealth grey





 B132G0051F 8.0 x 18
 B132G0052F 9.5 x 19
 HP Silver





 B132G0049F 8.0 x 18
 B132G0050F 9.5 x 19
 Gloss anthracite





 A132G0077F 8.0 x 18
 A132G0078F 9.5 x 19
 Matt anthracite
 Diamond cut





 A132G0092F 8.0 x 19
 A132G0094F 9.5 x 20
 Matt anthracite
 Diamond cut





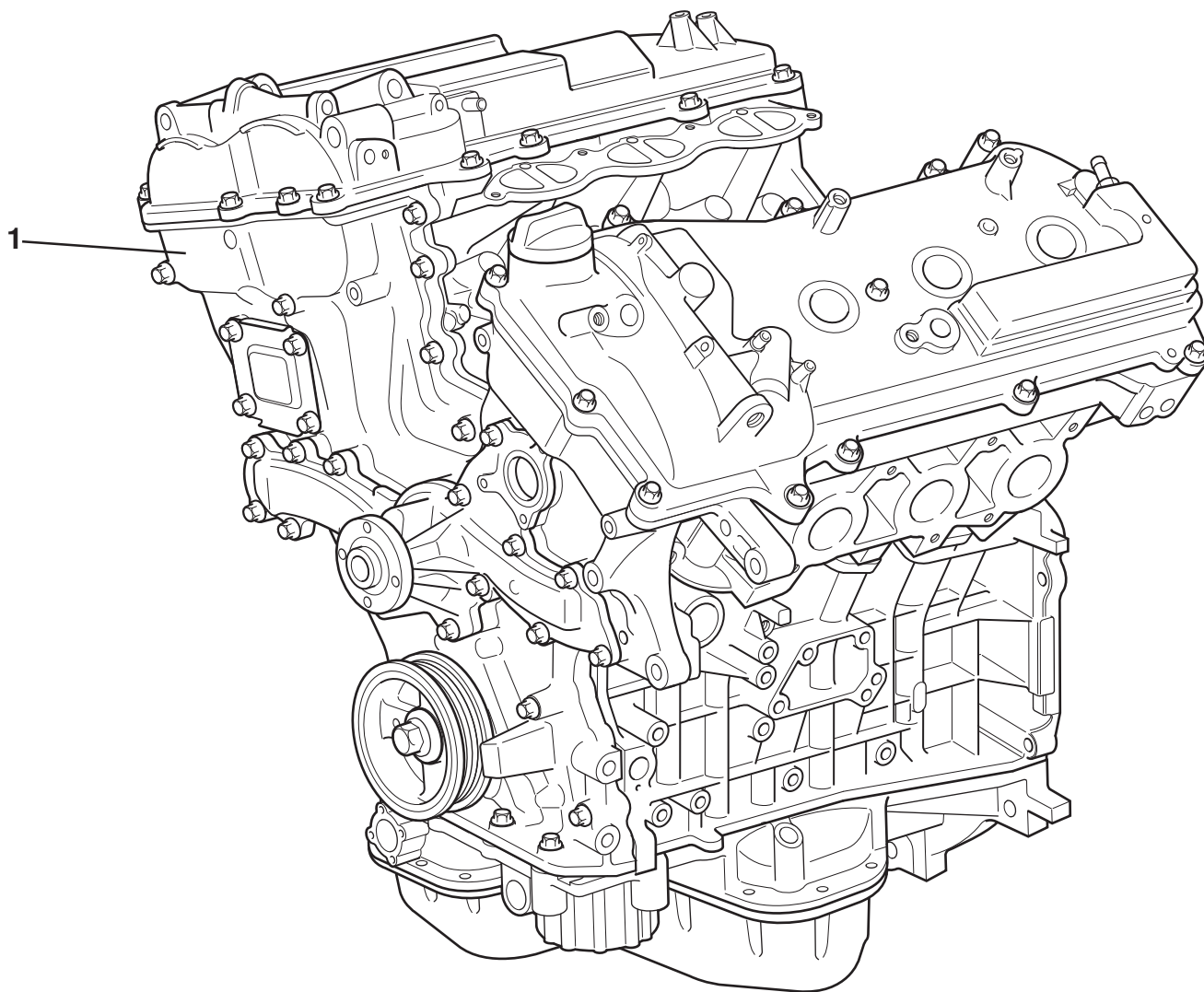
 A132G0102F 8.0 x 19
 A132G0103F 9.5 x 20
 Gloss black



 A132G0104F 8.0 x 19
 A132G0105F 9.5 x 20
 Stealth grey



 A132G0110S 8.0 x 19
 A132G0111S 9.5 x 20
 Satin gold

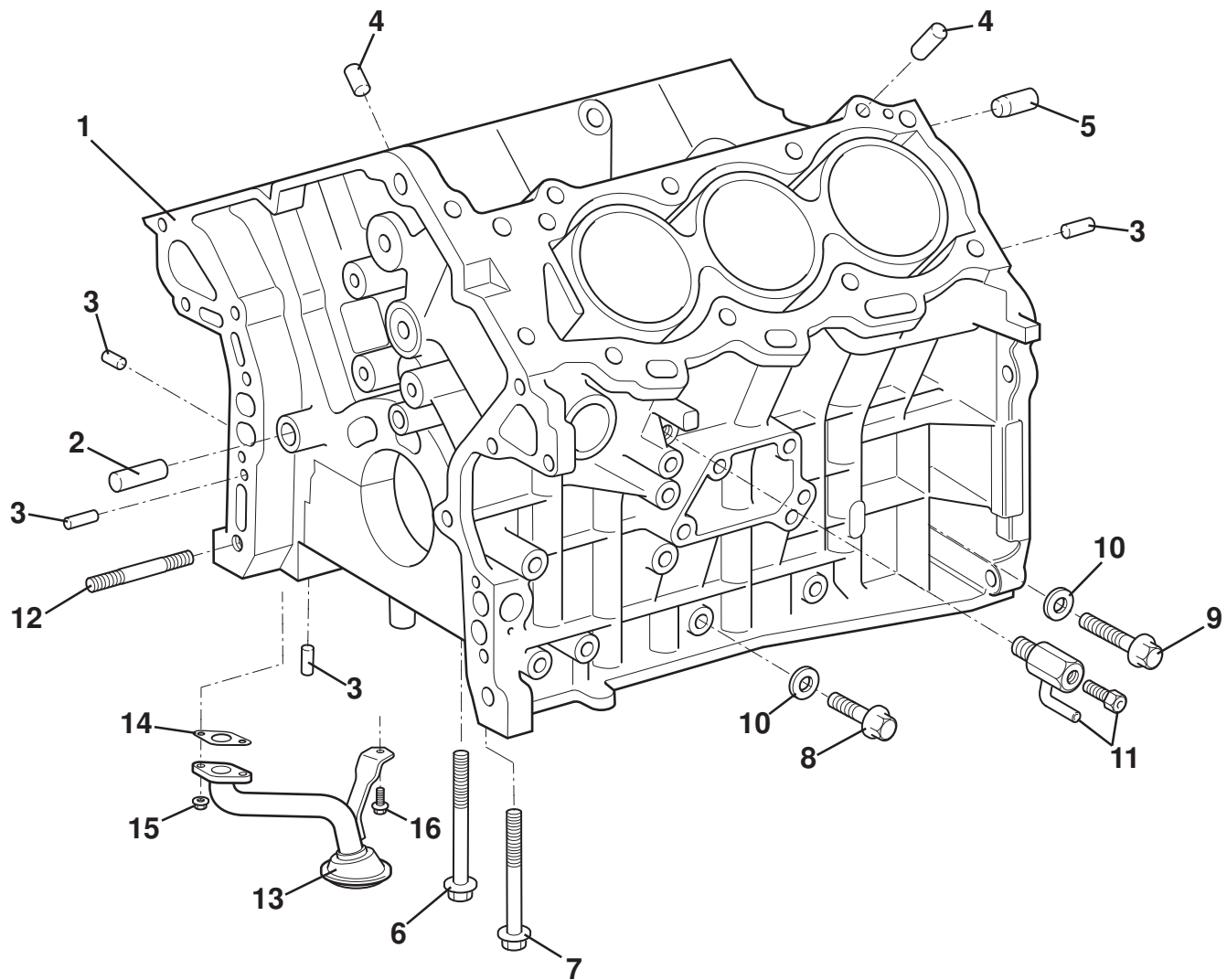


EVORA
40.00

2010/01

Function Code 40.00 Engine Assemblies

<u>Dep</u>	<u>Part Description</u>	<u>Remarks</u>	<u>Option</u>	<u>Part Number</u>	<u>Qty</u>
01	Engine Assembly, 2GR-FE, undressed			A132E6097S	1
01a	Engine Short Block Assembly			A132E6098S	1



EVORA
40.01

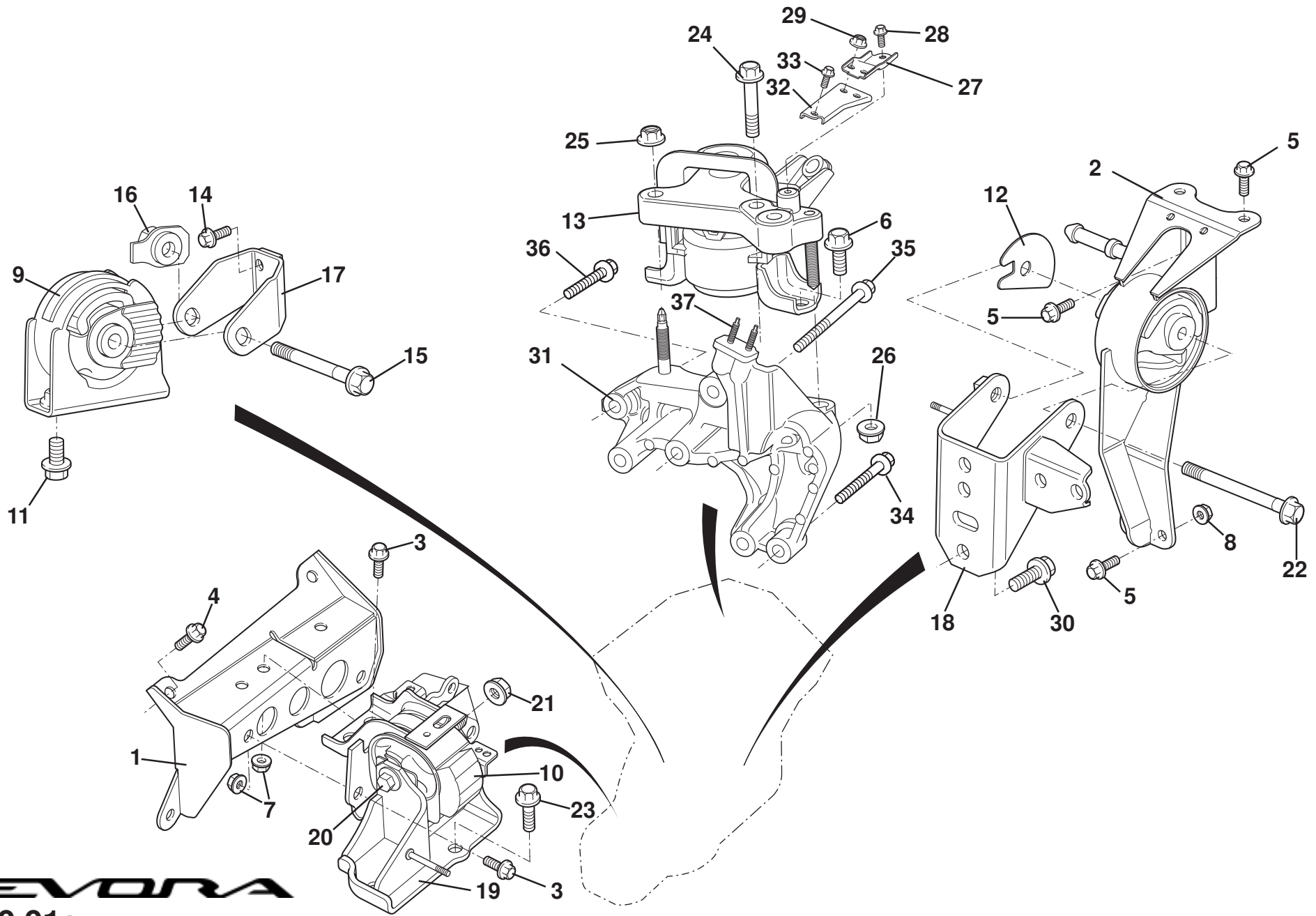
Service Parts List



Function Code 40.01 Engine Block & Oil Pick up

<u>Dep</u>	<u>Part Description</u>	<u>Remarks</u>	<u>Option</u>	<u>Part Number</u>	<u>Qty</u>
01	Cylinder Block Assembly			A132E6144S	1
02	Dowell Pin, block to idler bracket			A132E6157S	1
03	Dowell Pin, block - sump. engine mount, F/R covers			A132E6155S	8
04	Dowell Pin, block to cylinder heads			A132E6156S	4
05	Dowell, block to end plate			A132E6158S	2
06	Bolt, bearing cap, inner			A132E6147S	8
07	Bolt, main bearing cap, outer			A132E6146S	8
08	Bolt, main bearing cap cross retention	Front and centre pair of caps		A132E6148S	6
09	Bolt, main bearing cap cross retention, rear	Rear cap		A132E6149S	2
10	Sealing Washer, cross-bolts			A132E6154S	4
11	Drain Cock Assembly	Includes screw		A132E6159S	2
11a	Plug screw, drain cock			A120E6441S	2
12	Stud, block to front cover			A132E6152S	2
13	Oil Pick-up Pipe Assembly			A132E6420S	1
14	Gasket, pick-up pipe	Also see 40.02a		A132E6234S	1
15	Nut, flg, pipe to front cover			A132E6473S	2
16	Screw, hex. flg. hd., pipe retention			A132E6173S	1





EVORA
40.01a

Updated 28th July 2010

Service Parts List

EVORA



Function Code 40.01a Engine Mounts

<u>Dep</u>	<u>Part Description</u>	<u>Remarks</u>	<u>Option</u>	<u>Part Number</u>	<u>Qty</u>
01	Bracket, insulator to subframe LH			C132A0037F	1
01a	Bracket, insulator to subframe LH		Auto (NA & S/Charged)	A132A0382F	1
02	Insulator/Bracket Assembly, engine mount rear			D132A0224J	1
02a	Insulator/Bracket Assembly, engine mount rear		Auto (NA & S/Charged)	B132A0404J	1
03	Bolt, M10 x 30, hex. flg. hd., insulator fixing			A132W2004F	5
03a	Bolt, M12 x 30, hex. flg. hd., insulator fixing		Auto (NA & S/Charged)	A132W2018F	4
04	Screw, M10 x 25, hex. flg. hd., bracket to subframe			A132W5008F	4
05	Screw, M8 x 25, hex. flg. hd., bracket to subframe			A132W5006F	5
06	Bolt, M12 x 30, hex. flg. hd., insulator to subframe			A132W2018F	3
07	Nut, M10, flg., insulator fixing			A132W3005F	5
08	Nut, M8, flg., bracket to subframe			A132W3006F	2
09	Insulator Assembly, engine mount front			B132F0042J	1
10	Insulator Assembly, engine mount LH			B132F0043J	1
10a	Insulator Assembly, engine mount LH		Auto (NA & S/Charged)	A132F0115J	1
11	Bolt, M12 x 30, hex. flg. hd., insulator to subframe			A132W2016F	2
12	Plate, bumper retaining, rear mount			A132F0045F	1
13	Insulator/Bracket Assembly, engine mount, RH			A132E6304S	1
14	Bolt, hex. flg. hd., bracket to transmission			A120E6412S	2

EVORA

Function Code: 40.01a, Page: 1

Updated 21st February 2012

Function Code 40.01a Engine Mounts

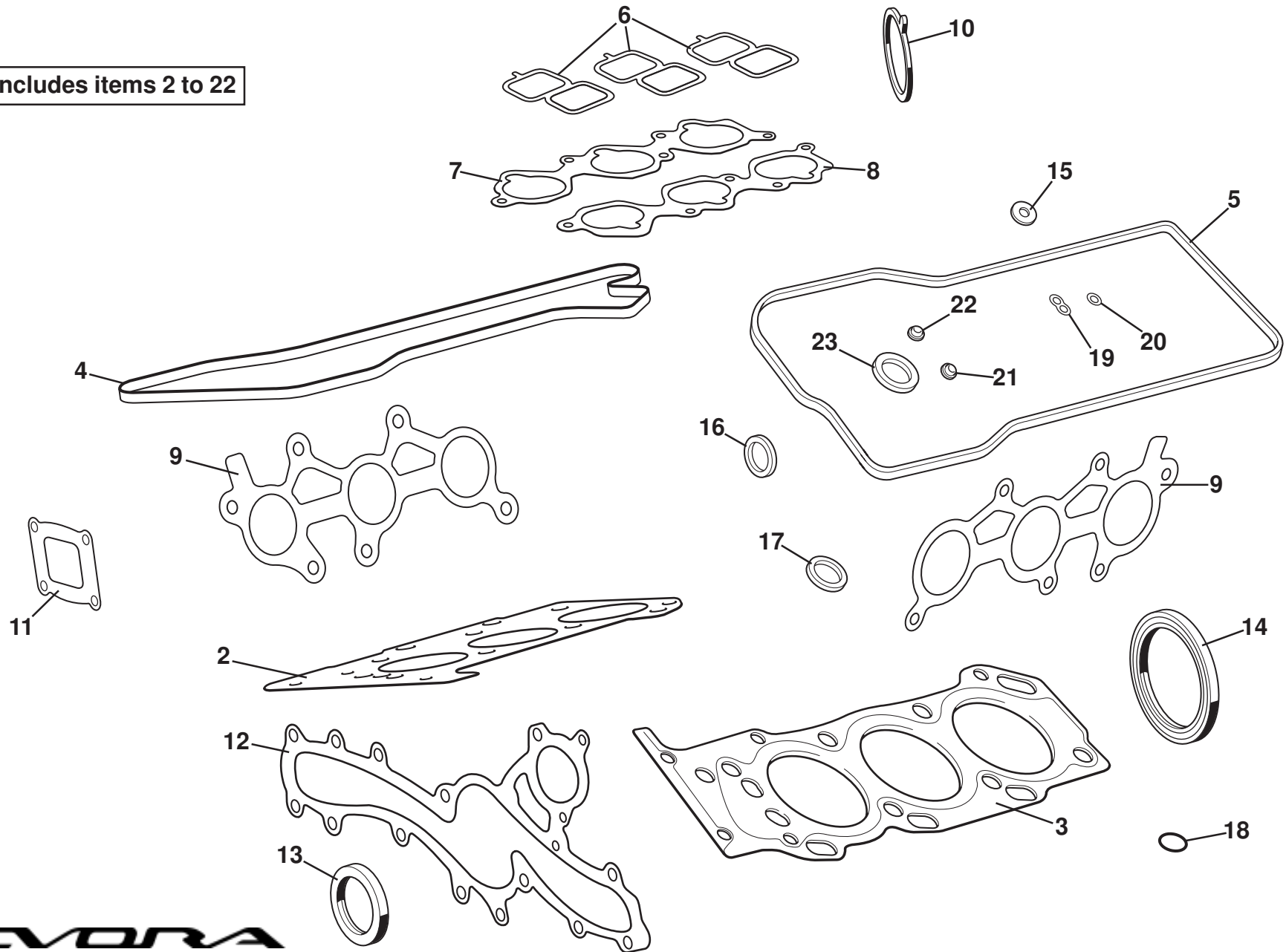
<u>Dep</u>	<u>Part Description</u>	<u>Remarks</u>	<u>Option</u>	<u>Part Number</u>	<u>Qty</u>
15	Bolt, hex. flg. hd., bracket to insulator front			A132E6361S	1
16	Nut, special, bracket to insulator front			A132E6372S	1
17	Bracket, insulator to transmission, front			C132F0030F	1
18	Bracket, insulator to transmission, rear			A132E6305S	1
18a	Bracket, insulator to transmission, rear		Auto (NA & S/Charged)	A132F0064F	
19	Bracket, isolator to transmission LH			A132E6306S	1
20	Bolt, hex. flg. hd., bracket to insulator LH			A132F6016H	1
21	Nut, flg., bracket to insulator LH			A132F6017H	1
22	Bolt, hex. flg. hd., bracket to insulator rear			A132E6359S	1
23	Bolt, hex. flg. hd., bracket to transmission			A120E6495S	3
24	Bolt, hex. flg. hd., insulator to engine			A132E6388S	2
25	Nut, flg., insulator to engine	To engine stud		A132E6060H	1
26	Nut, flg., insulator to engine	To insulator stud		A120E6395S	1
27	Stay, bracket assy to bracket engine mounting			A132E6307S	1
28	Bolt, hex. flg. hd w/washer., stay to insulator			A132E6056H	1
29	Nut, M8, flg., stay to bracket engine mounting			A132E6059H	2
30	Bolt, hex. flg. hd., bracket to transmission			A132F6014H	4
31	Bracket, engine mounting			A132E6185S	1
31a	Bracket Assembly, engine idler mounting	Also see 4103	S/Charged (man & auto)	B132E0056F	1
32	Stay, bracket engine mounting to inlet manifold			A132E6186S	1
33	Bolt, hex. flg. hd. bracket, engine mounting			A132E6191S	1



Function Code 40.01a Engine Mounts

<u>Dep</u>	<u>Part Description</u>	<u>Remarks</u>	<u>Option</u>	<u>Part Number</u>	<u>Qty</u>
34	Bolt, hex. flg. hd.bracket, engine mounting			A132E6190S	1
35	Bolt, hex. flg. hd.bracket, engine mounting			A132E6188S	3
36	Bolt, hex. flg. hd.bracket, engine mounting			A120E6394S	2
37	Stud. engine stay			A132E6189S	2

1 includes items 2 to 22



EVORA
40.02

2010/01

Service Parts List

EVORA



Function Code 40.02 Gaskets & Sealants, Top Overhaul Set

<u>Dep</u>	<u>Part Description</u>	<u>Remarks</u>	<u>Option</u>	<u>Part Number</u>	<u>Qty</u>
01	Gasket Set, top overhaul	Includes items 2 to 22		A132E6100S	1
02	Gasket, cylinder head, RH	Also see 40.05		A132E6119S	1
03	Gasket, cylinder head, LH	Also see 40.05		A132E6120S	1
04	Gasket, cam cover, RH	Also see 40.07		A132E6126S	1
05	Gasket, cam cover, LH	Also see 40.07		A132E6134S	1
06	Gasket, intake plenum to inlet manifold	Also see 42.07		A132E6453S	3
07	Gasket, inlet manifold, LH	Also see 42.07		A132E6276S	1
08	Gasket, inlet manifold, RH	Also see 42.07		A132E6275S	1
09	Gasket, exhaust manifold	Also see 40.21		A132E6318S	2
10	Gasket, throttle body to intake plenum	Also see 42.04, 42.07		A132E6454S	1
11	Gasket, plate to cover	Also see 40.08		A132E6433S	1
12	Gasket, water pump	Also see 40.13		A132E6452S	1
13	Oil Seal, crankshaft front	Also see 40.11		A132E6138S	1
14	Oil Seal, crankshaft rear	Also see 40.11		A132E6162S	1
15	Washer, sealing, bolt no. 4, camshaft cover, centre	Also see 40.07		A132E6129S	2
16	Gasket, plug sealing	Also see 40.05		A132E6108S	2
17	Gasket, plug sealing	Also see 40.05		A132E6107S	2
18	'O' Ring, guide tube to lower guide tube	Also see 40.15		A120E6281S	1

EVORA

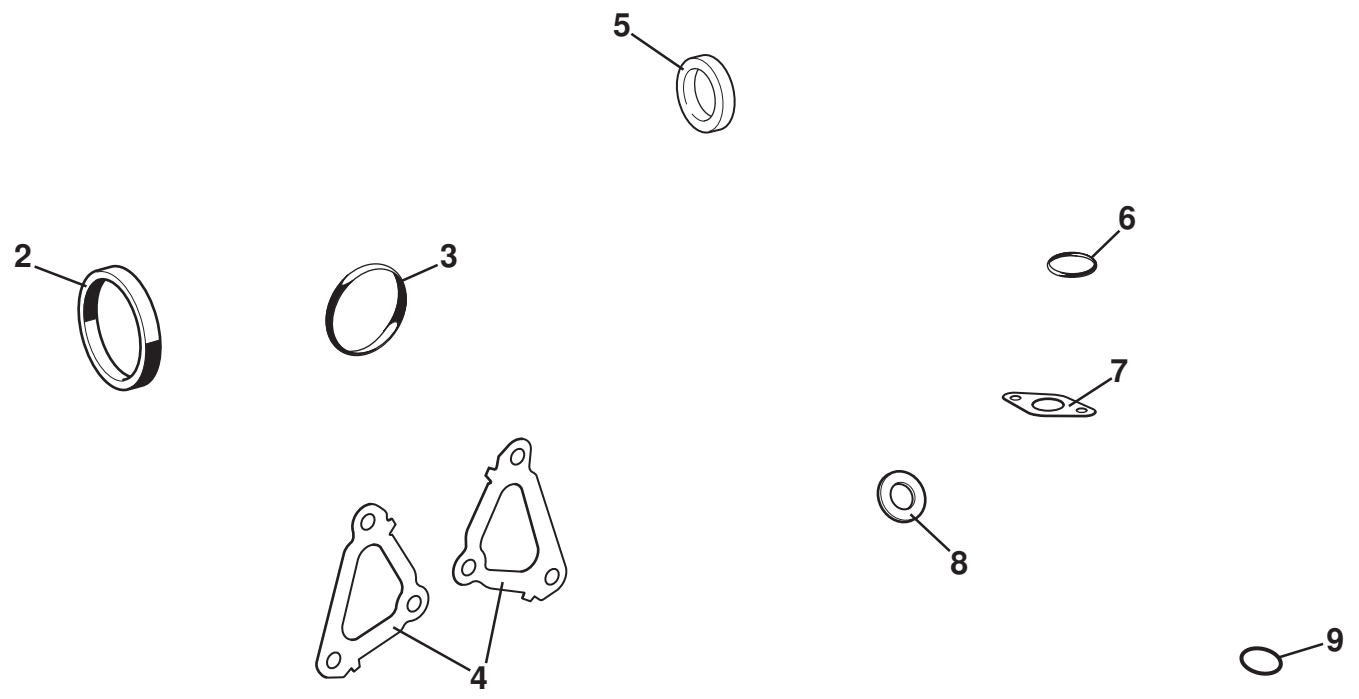
Function Code: 40.02, Page: 1

Updated 14th December 2011

Function Code 40.02 Gaskets & Sealants, Top Overhaul Set

<u>Dep</u>	<u>Part Description</u>	<u>Remarks</u>	<u>Option</u>	<u>Part Number</u>	<u>Qty</u>
19	Gasket, camshaft bearing cap cover	Also see 40.05		A132E6124S	2
20	Gasket, camshaft bearing cap	Also see 40.05		A132E6130S	6
21	Oil Seal, valve stem, exhaust	Also see 40.05		A132E6229S	12
22	Oil Seal, valve stem, inlet	Also see 40.05		A132E6464S	12
23	Gasket, spark plug tube	Not P/O gasket set, see 40.05		A132E6431S	6

1 Includes items shown, plus items 2 to 22 in section 40.02



EVORA
40.02a

2010/01

Service Parts List

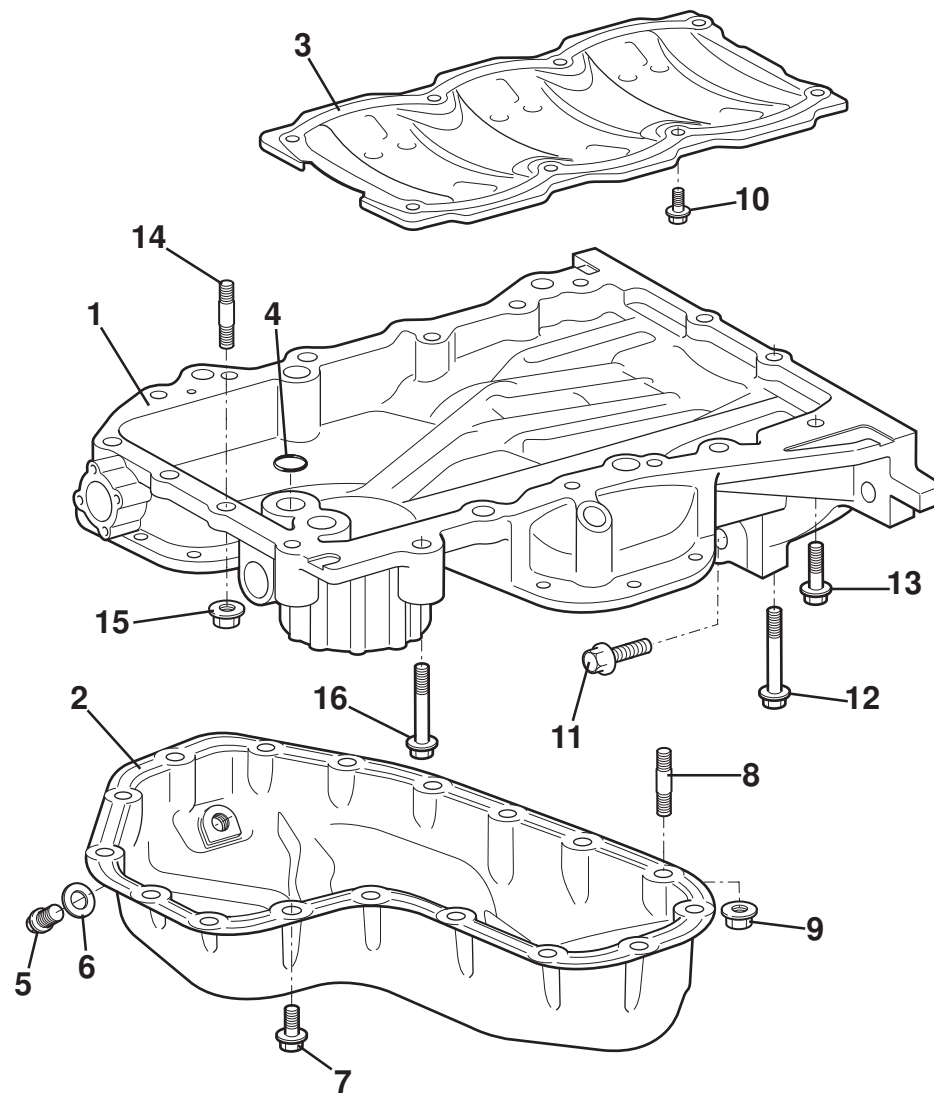


Function Code 40.02a Gaskets & Sealants, Bottom Overhaul Set

<u>Dep</u>	<u>Part Description</u>	<u>Remarks</u>	<u>Option</u>	<u>Part Number</u>	<u>Qty</u>
01	Gasket Set, engine overhaul*	Includes items 2 to 11		A132E6099S	1
02	Gasket Ring, thermostat	Also see 40.13		A132E6253S	1
03	'O' Ring, special, by-pass water inlet housing	Also see 46.01		A132E6252S	1
04	Gasket, water outlet	Also see 46.01		A132E6259S	2
05	Gasket, oil pump	Also see 40.15		A132E6137S	1
06	'O' Ring, sump upper to block	Also see 40.03		A132E6171S	2
07	Gasket, oil pick-up pipe	Also see 40.01		A132E6234S	1
08	Gasket, sump plug	Also see 40.03		A132E6461S	1
09	'O' Ring, lower guide tube to block	Also see 40.15		A132E6165S	1

* Also items 2 to 22 in section
40.02





EVORA
40.03

2010/01

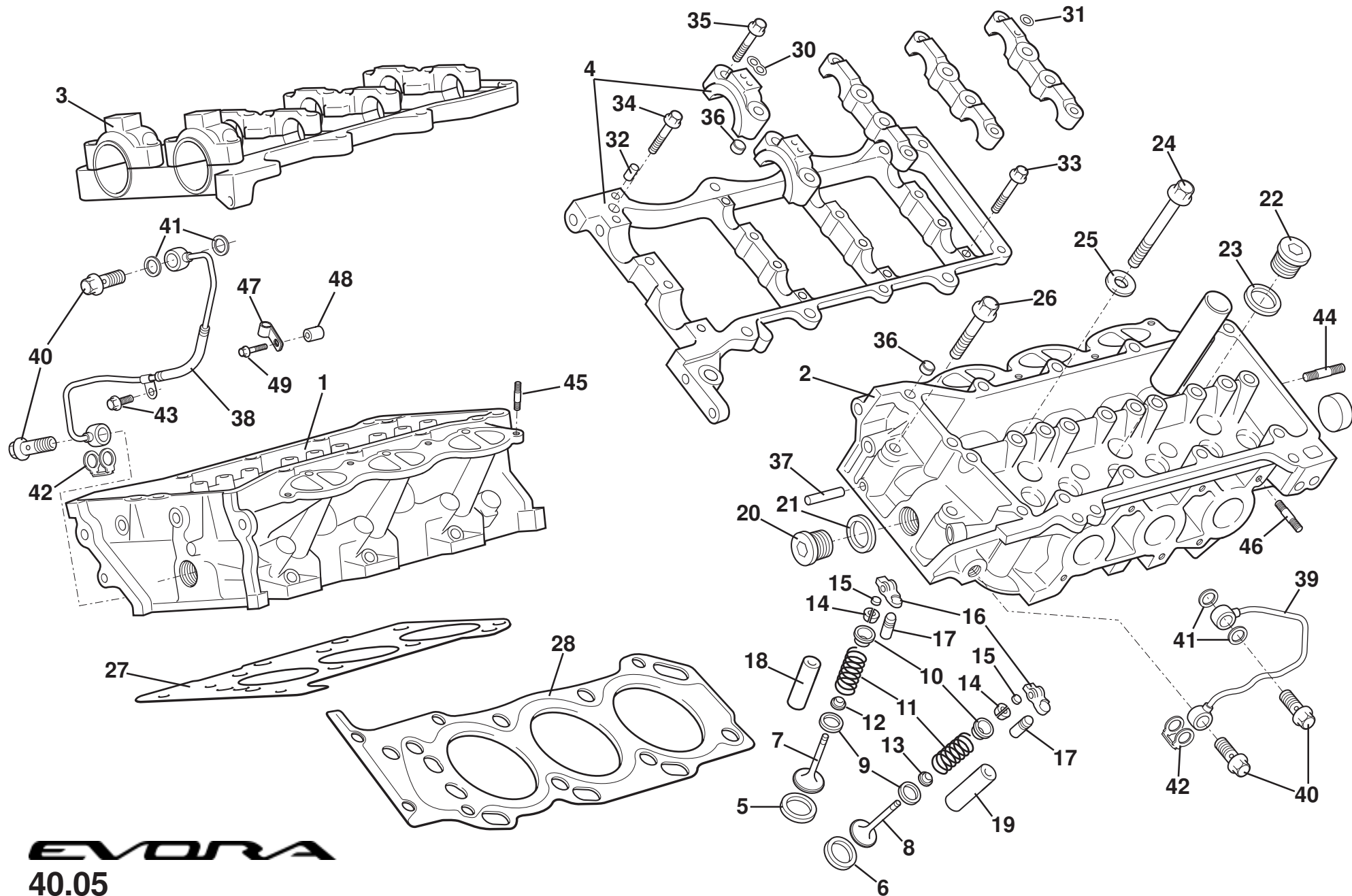
Service Parts List



Function Code 40.03 Sump Assembly

<u>Dep</u>	<u>Part Description</u>	<u>Remarks</u>	<u>Option</u>	<u>Part Number</u>	<u>Qty</u>
01	Sump Assembly, upper			A132E6168S	1
02	Sump Assembly, lower			A132E6169S	1
03	Baffle, sump			A132E6170S	1
04	'O' Ring, sump upper to block			A132E6171S	2
05	Sump Plug			A132E6175S	1
06	Gasket, sump plug			A120E6461S	1
07	Bolt, flg. hd., lower to upper sump			A132E6456S	12
08	Stud, upper to lower sump			A132E6174S	2
09	Nut, flange, lower to upper sump			A132E6458S	2
10	Bolt/Washer, baffle retention			A132E6173S	8
11	Bolt, flg. hd., lupper sump			A132E6479S	2
12	Bolt, flg. hd., upper sump			A132E6478S	2
13	Bolt, flg. hd., upper sump			A132E6478S	2
14	Stud, lupper sump			A132E6116S	2
15	Nut, flange, upper sump			A132E6474S	2
16	Bolt, flg. hd., upper sump			A132E6178S	2





EVORA
40.05

Updated 27th September 2012

Service Parts List

EVORA



Function Code 40.05 Cylinder Head , Valves, Springs

<u>Dep</u>	<u>Part Description</u>	<u>Remarks</u>	<u>Option</u>	<u>Part Number</u>	<u>Qty</u>
01	Cylinder Head Assembly, RH			A132E6101S	1
02	Cylinder Head Assembly, LH			A132E6110S	1
03	Camshaft Housing, RH	Includes bearing caps		A132E6111S	1
04	Camshaft Housing, LH	Includes bearing caps		A132E6114S	1
05	Valve Seat, inlet			A132E6102S	12
06	Valve Seat, exhaust			A132E6103S	12
07	Inlet Valve			A132E6223S	12
08	Exhaust Valve			A132E6224S	12
09	Seat, valve spring			A132E6225S	24
10	Retainer, valve spring			A132E6226S	24
11	Valve Spring			A132E6227S	24
12	Oil Seal, valve stem, inlet			A132E6464S	12
13	Oil Seal, valve stem, exhaust			A132E6229S	12
14	Valve Collet			A131E6212S	48
15	Cap, valve stem			A132E6231S	24
16	Rocker Arm, valve actuating			A132E6449S	24
17	Adjuster Assembly, valve clearance			A132E6232S	24
18	Valve Guide, inlet, std size			A132E6402S	12

EVORA

Function Code: 40.05, Page: 1

Updated 27th September 2012

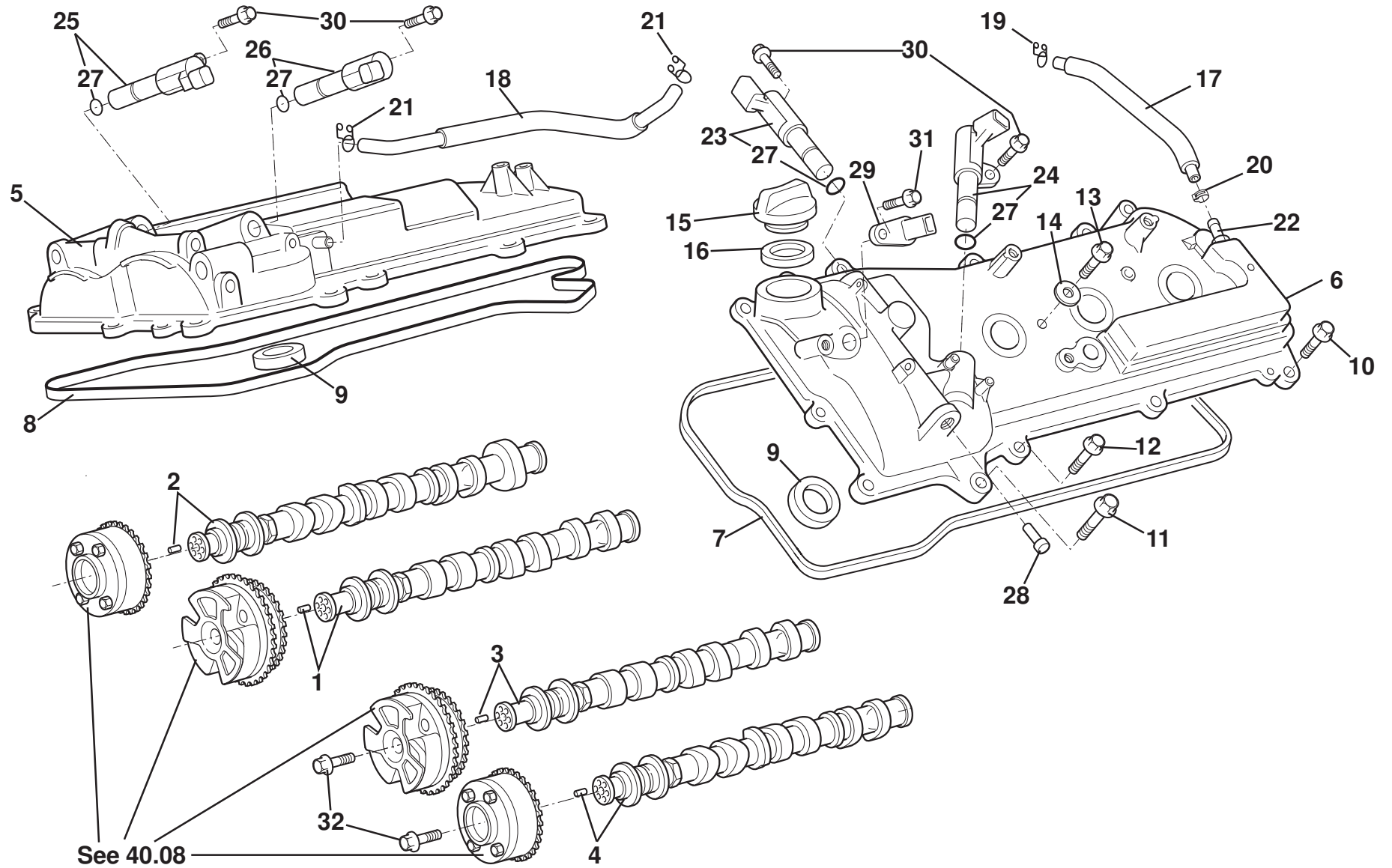
Function Code 40.05 Cylinder Head , Valves, Springs

<u>Dep</u>	<u>Part Description</u>	<u>Remarks</u>	<u>Option</u>	<u>Part Number</u>	<u>Qty</u>
18a	Valve Guide, exhaust, + 0.05mm			A132E6405S	12
19	Valve Guide, exhaust, standard			A132E6404S	12
19a	Valve Guide, inlet, O/S 0.05			A132E6403S	12
20	Plug, straight screw plug, no.2, cyl.head front			A132E6105S	2
21	Gasket, straight screw plug no.2, cyl. head front			A132E6108S	2
22	Plug, straight screw plug, no.1, cyl. head upper			A132E6104S	4
23	Gasket, straight screw plug, no.1, cyl. head upper			A132E6107S	4
24	Bolt, hex. flg. hd., head to block			A132E6123S	16
25	Washer, head to block			A132E6122S	16
26	Bolt, hex. flg. hd., head to block, front LH bank			A132E6121S	2
27	Gasket, cylinder head, RH	Also see 40.02		A132E6119S	1
28	Gasket, cylinder head, LH	Also see 40.02		A132E6120S	1
30	Gasket, camshaft bearing cap oil hole			A132E6124S	4
31	'O' Ring special, camshaft housing			A132E6130S	2
32	Dowel Pin, no.1, camshaft housing			A120F6033S	3
33	Bolt, hex. flg. hd., no. 1, camshaft housing to head			A132E6113S	18
34	Bolt, hex. flg. hd., no. 2, camshaft housing to head			A132E6112S	7
35	Bolt, hex. flg. hd., camshaft bearing cap to housing			A132E6457S	16
36	Pin, ring w/head			A132E6118S	4
37	Dowel Pin, cylinder head			A132E6459S	4
38	Oil Pipe No. 2, oil control valve, RH		Naturally aspirated	A132E6240S	1



Function Code 40.05 Cylinder Head , Valves, Springs

<u>Dep</u>	<u>Part Description</u>	<u>Remarks</u>	<u>Option</u>	<u>Part Number</u>	<u>Qty</u>
38a	Oil Feed Pipe		S/Charged (man & auto), A132E0050F R/B	A132E0102F	1
39	Oil Pipe No. 1, oil control valve, LH			A132E6241S	1
40	Banjo Bolt, oil pipe			A132E6242S	4
41	Gasket, union bolt, oil pipe, upper			A132E6243S	4
42	Gasket, union bolt, oil pipe, lower			A132E6244S	2
43	Bolt, hex. flg.hd., oil pipe No. 2 to head	Through 'P' clip	Naturally aspirated	A132E6471S	1
44	Stud, water outlet to head			A132E6115S	4
45	Stud, inlet manifold to head	Also see 42.07		A132E6116S	12
46	Stud, exhaust manifold to head	Also see 40.21		A132E6117S	8
47	'P' Clip, oil feed pipe		S/Charged (man & auto)	A132E0134F	1
48	Pillar, oil feed pipe		S/Charged (man & auto)	A132E0135F	1
49	Screw M6 x 30 hex flg, oil feed pipe		S/Charged (man & auto)	A124W5294F	1



EVORA
40.07

Updated 27th September 2012

Service Parts List

EVORA



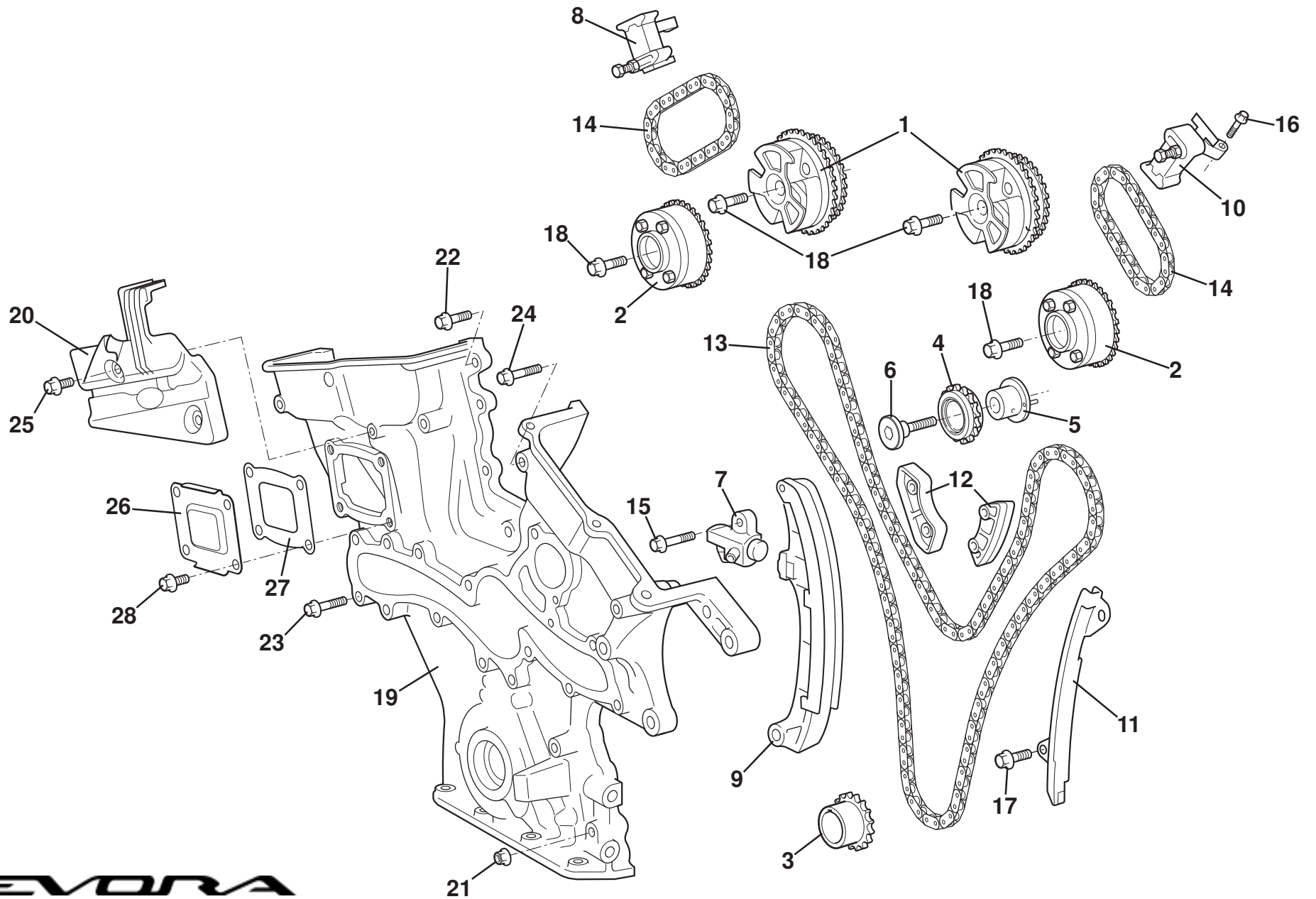
Function Code 40.07 Camshafts, Tappets, Cam Cover

<u>Dep</u>	<u>Part Description</u>	<u>Remarks</u>	<u>Option</u>	<u>Part Number</u>	<u>Qty</u>
01	Camshaft, no. 1, inlet, RH	Includes dowel pin		A132E6200S	1
02	Camshaft, no. 2, exhaust, RH	Includes dowel pin		A132E6201S	1
03	Camshaft, no. 3, inlet, LH	Includes dowel pin		A132E6203S	1
04	Camshaft, no. 4, exhaust, LH	Includes dowel pin		A132E6204S	1
05	Camshaft cover, LH	With spark plug tube gaskets		A132E6133S	1
06	Camshaft cover, RH	With spark plug tube gaskets		A132E6125S	1
07	Gasket, cam cover, LH	Also see 40.02		A132E6134S	1
08	Gasket, cam cover, RH	Also see 40.02		A132E6126S	1
09	Gasket, spark plug tube	Also see 40.02		A132E6431S	6
10	Bolt, hex. flg. hd., no. 1, camshaft cover			A132E6127S	17
11	Bolt, hex. flg. hd.no. 2, camshaft cover			A132E6128S	3
12	Bolt, hex. flg. hd.no. 3, camshaft cover			A132E6132S	2
13	Bolt, hex. flg. hd.no. 4, camshaft cover, centre			A132E6131S	2
14	Washer, sealing, bolt no. 4, camshaft cover, centre			A132E6129S	2
15	Oil Filler Cap, with gasket			A132E6476S	1
16	Gasket, oil filler cap	P/O item 15		A132E6463S	1
17	Hose, ventilation No. 1, LH bank to inlet tank			A132E6302S	1
18	Hose, ventilation No. 2, RH bank to intake plenum			A132E6303S	1

EVORA

Function Code 40.07 Camshafts, Tappets, Cam Cover

<u>Dep</u>	<u>Part Description</u>	<u>Remarks</u>	<u>Option</u>	<u>Part Number</u>	<u>Qty</u>
18a	Hose, ventilation No. 2, RH bank to intake plenum		S/Charged (man & auto)	A132E0055F	1
19	Hose Clip, ventilation hose No. 1, LH to airbox	Wire type		A132E6373S	1
20	Hose Clip, ventilation hose to valve			A120W6738F	1
21	Hose Clip, ventilation hose No. 2, RH bank	Wire type		A132E6374S	2
22	Valve Assembly, ventillation, LH bank			A132E6181S	1
23	Valve Assy., cam timing control, LH bank 2, intake	Includes 'O' ring		A132E6235S	1
24	Valve Assy., cam timing control, LH bank 2, exhaust	Includes 'O' ring		A132E6239S	1
25	Valve Assy., cam timing control, RH bank 1, exhaust	Includes 'O' ring		A132E6235S	1
26	Valve Assy., cam timing control, RH bank 1, intake	Includes 'O' ring		A132E6236S	1
27	'O' Ring, Valve Assy., cam timing control			A132E6419S	4
28	Filter, oil control valve			A132E6237S	2
29	Sensor, camshaft position	Also see 17.06		A132E6283S	4
30	Bolt, hex. flg. hd., valves to cam cover			A132E6480S	4
31	Bolt, hex. flg. hd., sensors to cam cover			A132E6478S	4
32	Bolt/Washer, hex. hd., camshaft gear	Also see 40.08		A132E6211S	4



EVORA
40.08

2010/01

Service Parts List



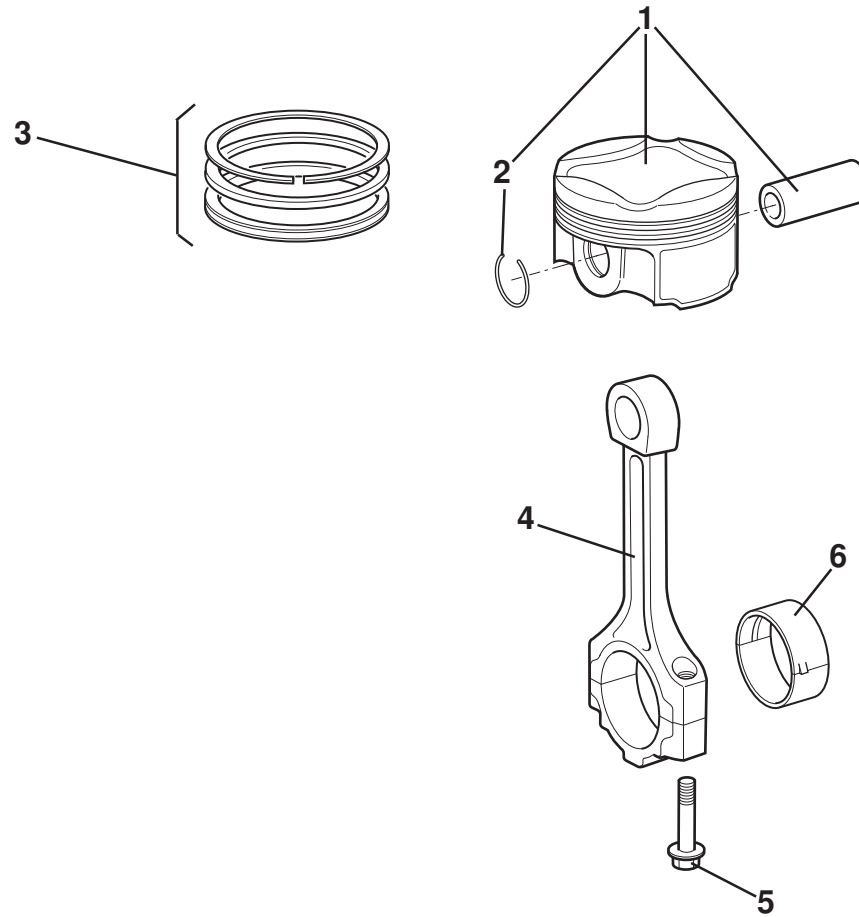
Function Code 40.08 Camshaft Drive Chain & Sprockets

<u>Dep</u>	<u>Part Description</u>	<u>Remarks</u>	<u>Option</u>	<u>Part Number</u>	<u>Qty</u>
01	Gear Assembly, camshaft timing inlet			A132E6205S	2
02	Gear Assembly, camshaft timing exhaust			A132E6206S	2
03	Sprocket, crankshaft			A132E6207S	1
04	Idler Sprocket Assembly			A132E6208S	1
05	Bush, idler sprocket	Includes dowel pin		A132E6209S	1
06	Bolt, skt. hd., idler sprocket retention			A132E6210S	1
07	Tensioner Assembly, chain no. 1			A132E6212S	1
08	Tensioner Assembly, chain no. 2, RH			A132E6213S	1
09	Slipper, chain tensioner			A132E6214S	1
10	Tensioner Assembly, chain no. 2, LH			A132E6215S	1
11	Damper, chain vibration, lower			A132E6216S	1
12	Damper, chain vibration no. 2, upper			A132E6217S	2
13	Chain, camshaft drive, no. 1, main			A132E6221S	1
14	Chain, camshaft drive, no. 2, inlet to exhaust camshaft			A132E6222S	2
15	Bolt, hex. flg. hd., tensioner assembly, chain no. 1			A132E6218S	2
16	Bolt, hex. flg. hd., tensioner assembly, chain no. 2			A132E6425S	2
17	Bolt, hex. flg. hd., damper, chain vibration (lower)			A132E6220S	2
18	Bolt/Washer, camshaft gear			A132E6211S	4



Function Code 40.08 Camshaft Drive Chain & Sprockets

<u>Dep</u>	<u>Part Description</u>	<u>Remarks</u>	<u>Option</u>	<u>Part Number</u>	<u>Qty</u>
19	Cover Assembly, timing chain			A132E6135S	1
20	Cover Assembly, timing chain No.2, upper			A132E6136S	1
21	Nut, flange, no., cover assy., to block			A132E6474S	1
22	Bolt, hex. flg. hd., cover assy., to block			A132E6140S	10
23	Bolt, hex. flg. hd., cover assy., to block			A132E6141S	12
24	Bolt, hex. flg. hd., cover assy., to block			A132E6470S	1
25	Bolt, hex. flg. hd., cover assy. no. 2, upper to main cover			A132E6467S	2
26	Plate, timing chain cover			A132E6432S	1
27	Gasket, plate to cover			A132E6433S	1
28	Bolt, hex. flg. hd., plate to main cover			A132E6416S	4



EVORA
40.09

2010/01

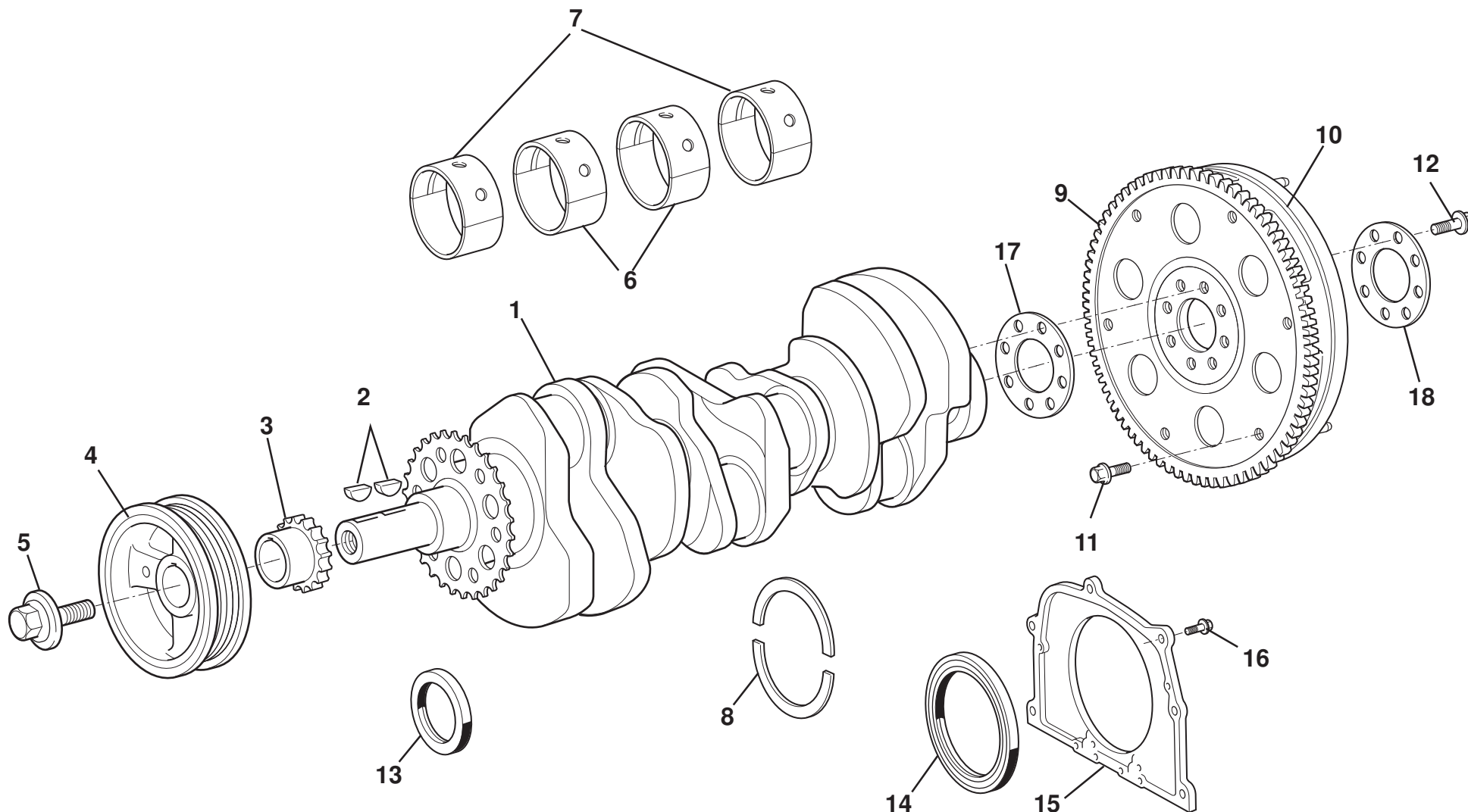
Service Parts List



Function Code 40.09 Pistons, Con-rods, Liners

<u>Dep</u>	<u>Part Description</u>	<u>Remarks</u>	<u>Option</u>	<u>Part Number</u>	<u>Qty</u>
01	Piston Assembly	Includes gudgeon pin, circlips		A132E6400S	6
02	Circlip, gudgeon pin retaining			A132E6192S	12
03	Piston Ring Set			A132E6193S	6
04	Connecting Rod			A132E6194S	6
05	Bolt, hex. flg. hd., cap to rod			A132E6195S	12
06	Con-rod Bearing Set, (size 1)			A132E6440S	6
06a	Con-rod Bearing Set, (size 2)			A132E6491S	6
06b	Con-rod Bearing Set, (size 3)			A132E6492S	6
06c	Con-rod Bearing Set, (size 4)			A132E6493S	6

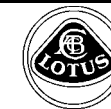




EVORA
40.11

Updated 17th February 2011

Service Parts List



Function Code 40.11 Crankshaft, Bearings, Flywheel

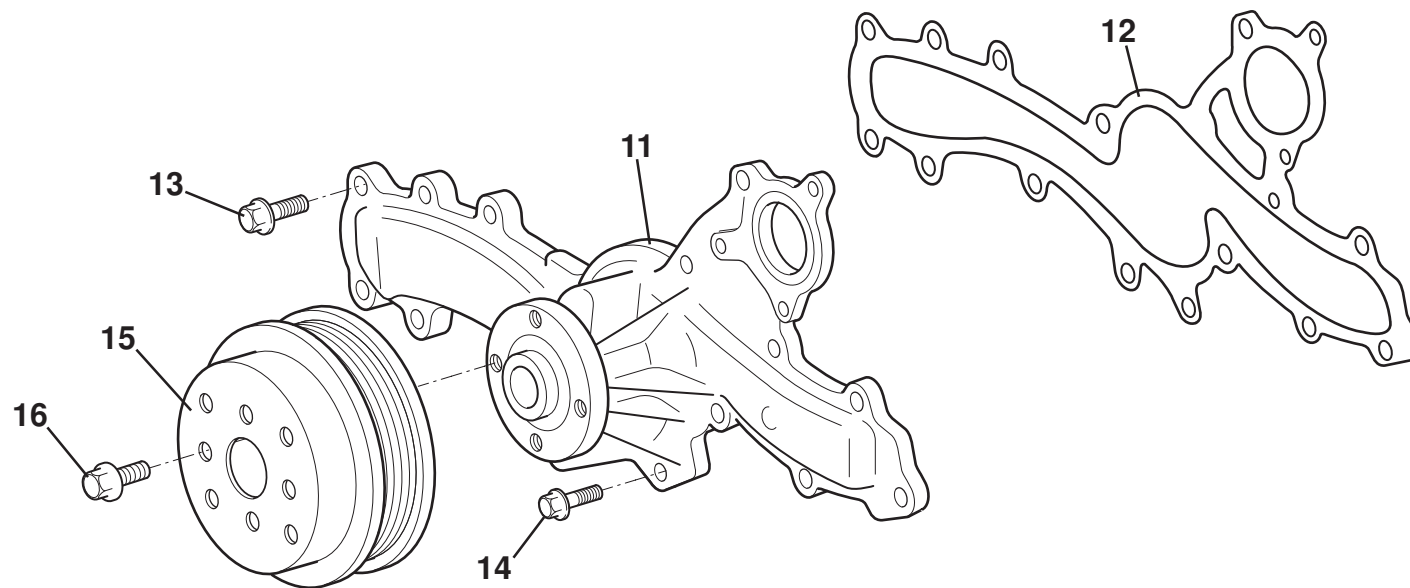
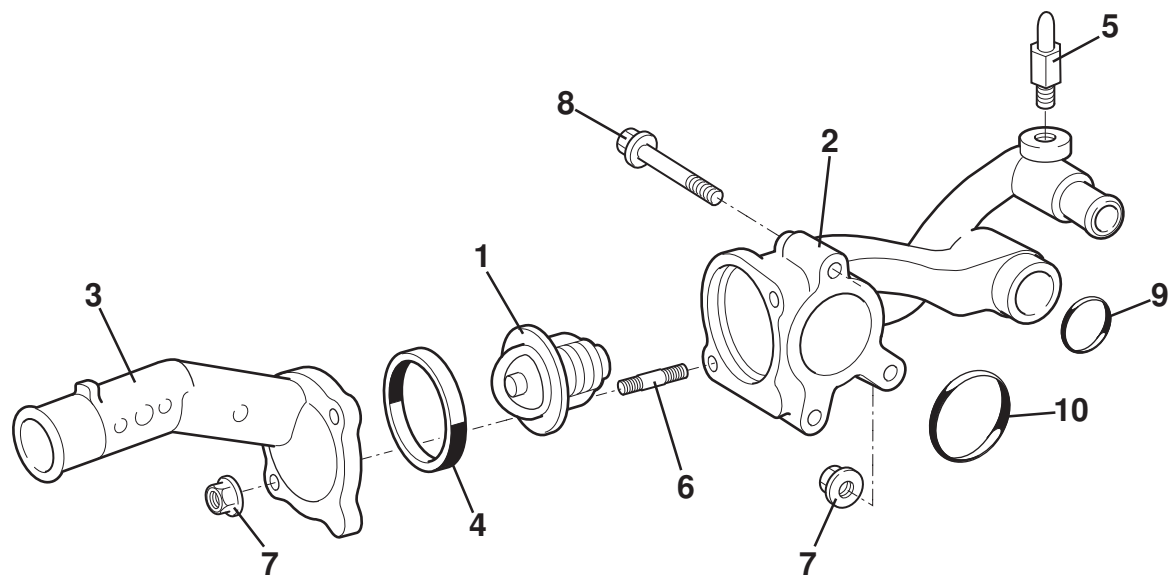
<u>Dep</u>	<u>Part Description</u>	<u>Remarks</u>	<u>Option</u>	<u>Part Number</u>	<u>Qty</u>
01	Crankshaft	Includes, Woodruff keys, item 2		A132E6196S	1
02	Woodruff Key, crankshaft to pulley & sprocket			A132E6197S	2
03	Sprocket, timing chain drive			A132E6207S	1
04	Pulley, auxiliary belt drive			A132E6198S	1
05	Bolt, with washer, pulley to crankshaft			A132E6199S	1
06	Bearing Set, crankshaft No. 2 & No. 3, (size 1)			A132E6426S	2
06a	Bearing Set, crankshaft No. 2 & No. 3, (size 2)			A132E6483S	2
06b	Bearing Set, crankshaft No. 2 & No. 3, (size 3)			A132E6484S	2
06c	Bearing Set, crankshaft No. 2 & No. 3, (size 4)			A132E6485S	2
06d	Bearing Set, crankshaft No. 2 & No. 3, (size 5)			A132E6486S	2
07	Bearing Set, crankshaft No. 1 & No. 4, (size 1)			A132E6435S	2
07a	Bearing Set, crankshaft No. 1 & No. 4, (size 2)			A132E6487S	2
07b	Bearing Set, crankshaft No. 1 & No. 4, (size 3)			A132E6488S	2
07c	Bearing Set, crankshaft No. 1 & No. 4, (size 4)			A132E6489S	2
07d	Bearing Set, crankshaft No. 1 & No. 4, (size 5)			A132E6490S	2
08	Thrust Washer Set, crankshaft			A132E6160S	1
09	Flex Plate, with starter gear ring			A132E6289S	1
10	Flywheel Assembly, manual			B132E0021F	1

Function Code: 40.11, Page: 1

Updated 21st February 2012

Function Code 40.11 Crankshaft, Bearings, Flywheel

<u>Dep</u>	<u>Part Description</u>	<u>Remarks</u>	<u>Option</u>	<u>Part Number</u>	<u>Qty</u>
10a	Flywheel Assembly, manual		S/Charged (man & auto)	A132E0081F	1
11	Bolt, hex. flg. hd., flex plate to flywheel			A132E6368S	6
12	Bolt, hex. flg. hd., flywheel & flex plate to crankshaft			A132E6356S	8
13	Oil Seal, crankshaft front	Also see 40.02a		A132E6138S	1
14	Oil Seal, crankshaft, rear	Also see 40.02a		A132E6162S	1
15	Retainer Plate, oil seal, crankshaft, rear			A132E6161S	1
16	Bolt, retainer to block			A132E6478S	6
17	Spacer, drive plate front			A132E6290S	1
18	Spacer, drive plate rear		IPS (auto) models only	A132E6291S	1



EVORA

40.13

2010/01

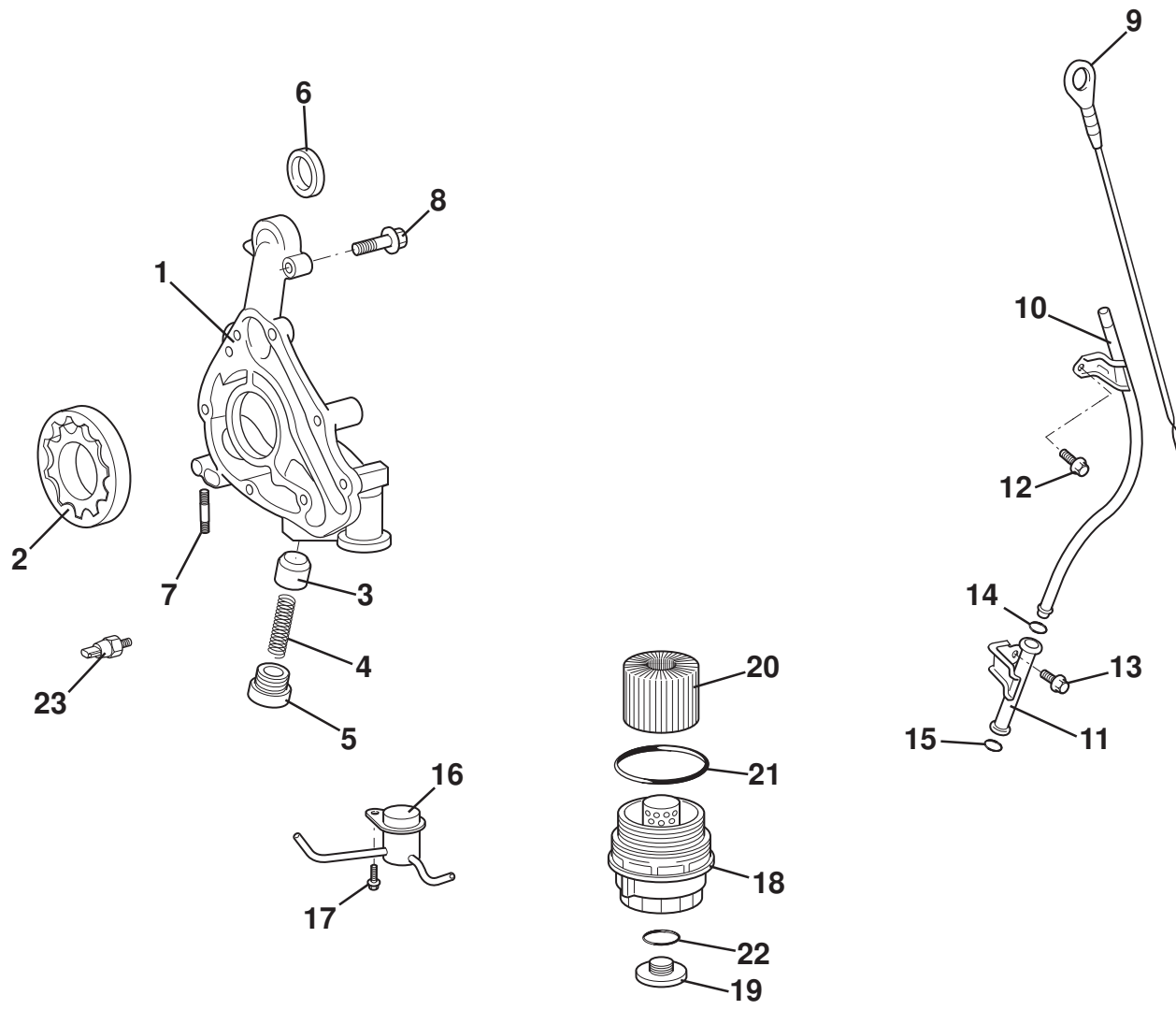
Service Parts List



Function Code 40.13 Water Pump Assembly, Thermostat

<u>Dep</u>	<u>Part Description</u>	<u>Remarks</u>	<u>Option</u>	<u>Part Number</u>	<u>Qty</u>
01	Thermostat			A132E6255S	1
02	Thermostat Housing, water inlet			A120E6314S	1
03	Water Inlet			A132E6250S	1
04	Gasket Ring, thermostat			A132E6253S	1
05	Drain Cock Assembly			A132E6254S	1
06	Stud, water inlet to thermostat housing			A132E6256S	2
07	Nut, flange, water inlet & engine to thermostat housing			A132E6473S	3
08	Bolt, flg. hd., thermostat housing to engine			A132E6131S	2
09	'O' Ring, water inlet pipe to water inlet housing			A132E6273S	1
10	'O' Ring special, by-pass water inlet housing			A132E6252S	1
11	Water Pump			A132E6414S	1
12	Gasket, water pump			A132E6452S	1
13	Bolt, flange hd., No. 1, water pump body			A132E6415S	9
14	Bolt, flange hd., No. 2, water pump body			A132E6417S	6
15	Pulley, water pump			A132E6248S	1
16	Bolt, hex. flg. hd., pulley to pump			A132E6249S	4





EVORA
40.15

Service Parts List

EVORA



Function Code 40.15 Lubrication System

<u>Dep</u>	<u>Part Description</u>	<u>Remarks</u>	<u>Option</u>	<u>Part Number</u>	<u>Qty</u>
01	Oil Pump Housing Assembly	Incl. pressure relief valve, & studs		A132E6411S	1
02	Oil Pump			A132E6410S	1
03	Cap, pressure relief valve			A132E6412S	1
04	Spring, pressure relief valve			A120E6433S	1
05	Plug, pressure relief valve			A132E6413S	1
06	Gasket, oil pump housing			A132E6137S	1
07	Stud, oil pump housing			A132E6115S	2
08	Bolt, housing to cover			A132E6417S	3
09	Dipstick			A132E6310S	1
10	Dipstick Guide Tube	Includes 'O' Ring		A132E6301S	1
11	Dipstick Guide Tube, lower			A132E6164S	1
12	Bolt, guide tube retention			A132E6249S	1
13	Bolt, lower guide tube retention			A132E6472S	1
14	'O' ring, guide tube to lower guide tube			A120E6281S	1
15	'O' Ring, lower guide tube to block			A132E6165S	1
16	Nozzle, oil feed			A132E6246S	1
17	Bolt, nozzle to block			A132E6247S	1
18	Oil Filter Housing			A132E6450S	1

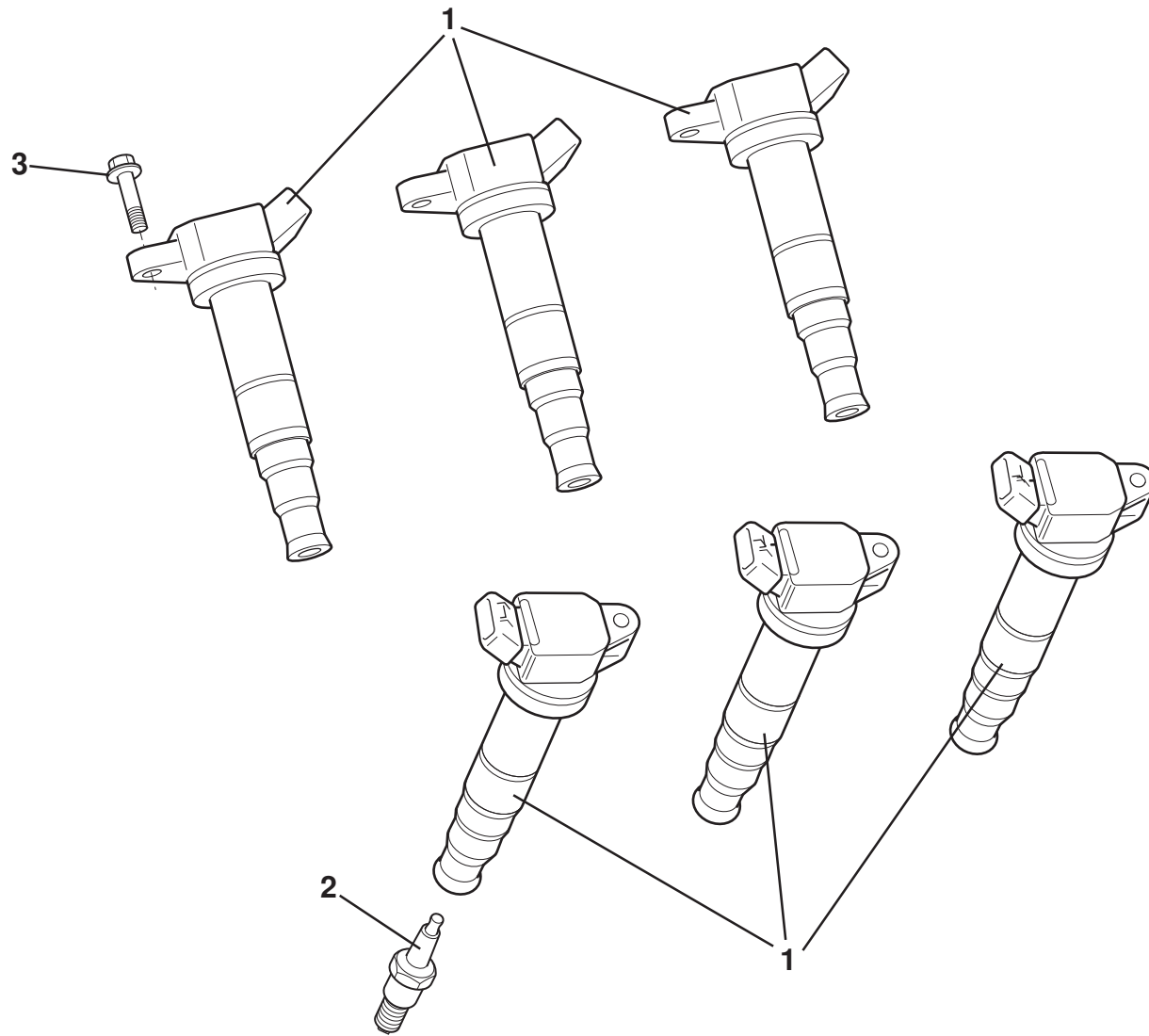
EVORA

Function Code: 40.15, Page: 1

2010/01

Function Code 40.15 Lubrication System

<u>Dep</u>	<u>Part Description</u>	<u>Remarks</u>	<u>Option</u>	<u>Part Number</u>	<u>Qty</u>
19	Plug, oil filter housing			A132E6451S	1
20	Oil Filter Kit	Incl. 'O' rings		A132E6399S	1
21	'O' Ring, housing to sump	P/O filter kit		A132E6461S	1
22	'O' Ring, plug to housing	P/O filter kit		A132E6475S	1
23	Switch, oil pressure			A132E6297S	1



EVORA
40.17

2010/01

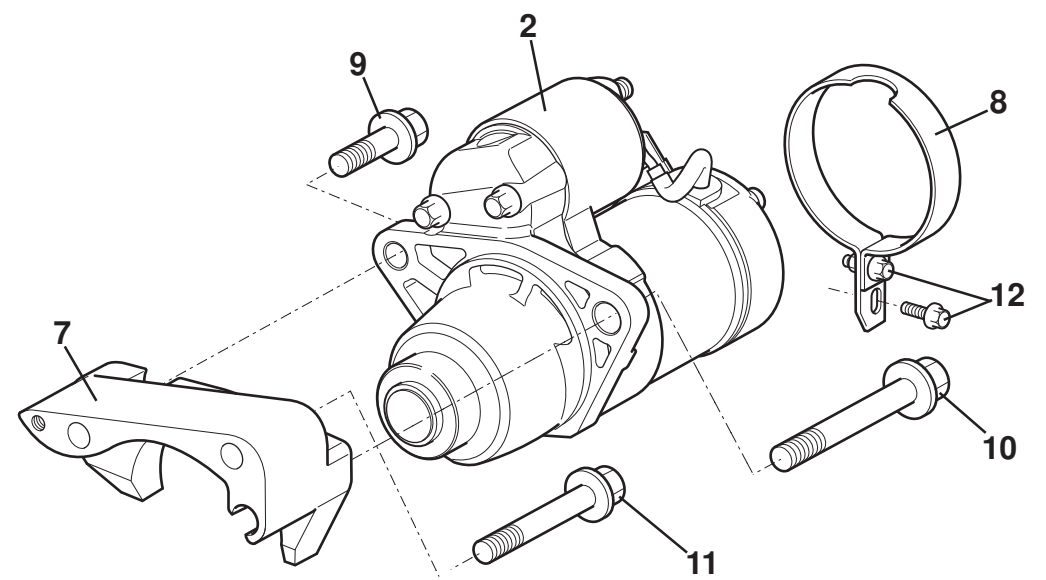
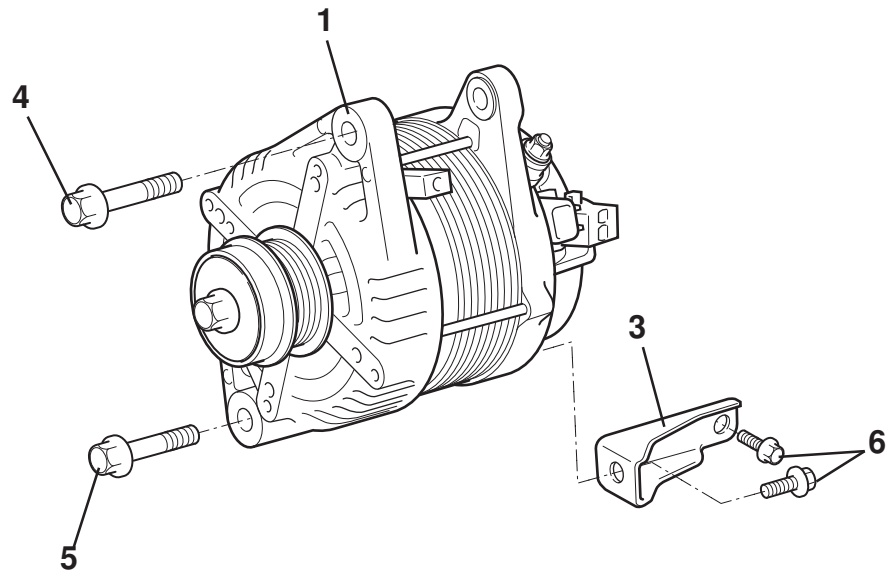
Service Parts List



Function Code 40.17 Ignition System, Spark plugs & Plug Top Coils

<u>Dep</u>	<u>Part Description</u>	<u>Remarks</u>	<u>Option</u>	<u>Part Number</u>	<u>Qty</u>
01	Ignition Coil			A132E6279S	6
02	Spark Plug			A132E6281S	6
02a	Spark Plug		S/Charged (man & auto)	A132E6503F	6
03	Bolt, flg. hd., ignition coil retention			A132E6423S	6





EVORA
40.19

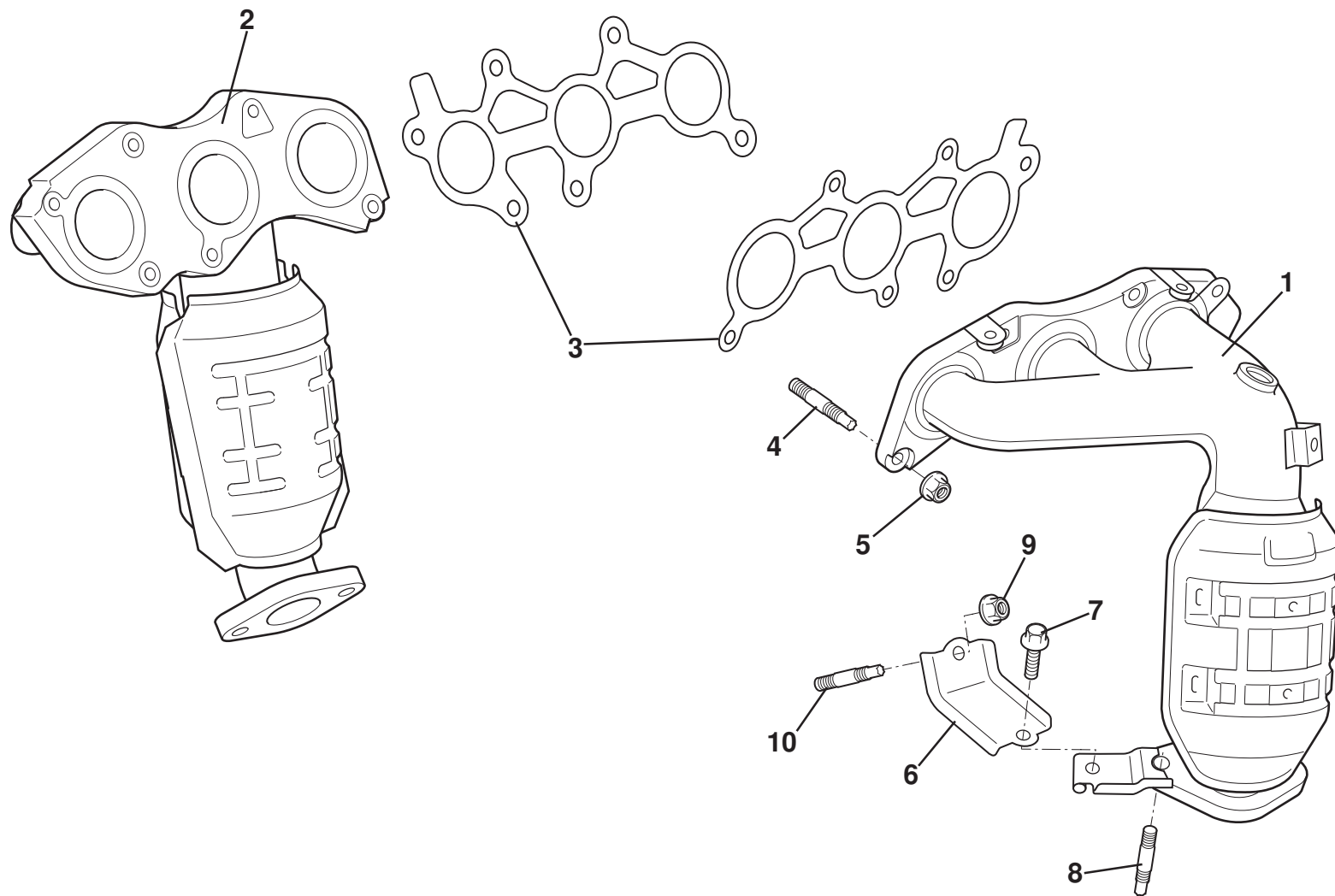
2010/01

Service Parts List



Function Code 40.19 Alternator and Starter Motor

<u>Dep</u>	<u>Part Description</u>	<u>Remarks</u>	<u>Option</u>	<u>Part Number</u>	<u>Qty</u>
01	Alternator			A132E6333S	1
01a	Alternator		Auto (NA & S/Charged)	A132E6023S	1
02	Starter motor			A132E0014K	1
02a	Starter motor		Auto (NA & S/Charged)	A132F6272S	1
03	Bracket, alternator			A132E6309S	1
03a	Bracket, alternator		Auto (NA & S/Charged)	A132E6024S	1
04	Bolt, hex. flg. hd., alternator, upper fixing			A132E6266S	1
04a	Bolt No.2, hex. flg. hd., alternator, upper fixing		Auto (NA & S/Charged)	A132E6027S	1
05	Bolt, hex. flg. hd., alternator, lower fixing			A132E6470S	1
05a	Bolt, hex No1. flg. hd., alternator, lower fixing		Auto (NA & S/Charged)	A132E6026S	1
06	Bolt, hex. flg. hd., alternator bracket			A132E6025H	2
07	Adaptor, starter motor			A132F0013F	1
08	Bracket/Strap, starter motor			B132F0022F	1
09	Bolt, M10 x 35, hex. flg. hd., starter to adaptor			A132F6421S	1
09a	Bolt, starter		Auto (NA & S/Charged)	A132E6274S	1
10	Bolt, M12 x 90, hex. flg. hd., starter to main adaptor plate			A132F6360S	1
11	Bolt, M10 x 65, hex. flg. hd., adaptor to main adaptor plate			A132F6022H	2
12	Screw, M8 x 16, hex. flg. hd., brkt. fixing + strap pinching			A117W2202F	2



EVORA

40.21

2010/01

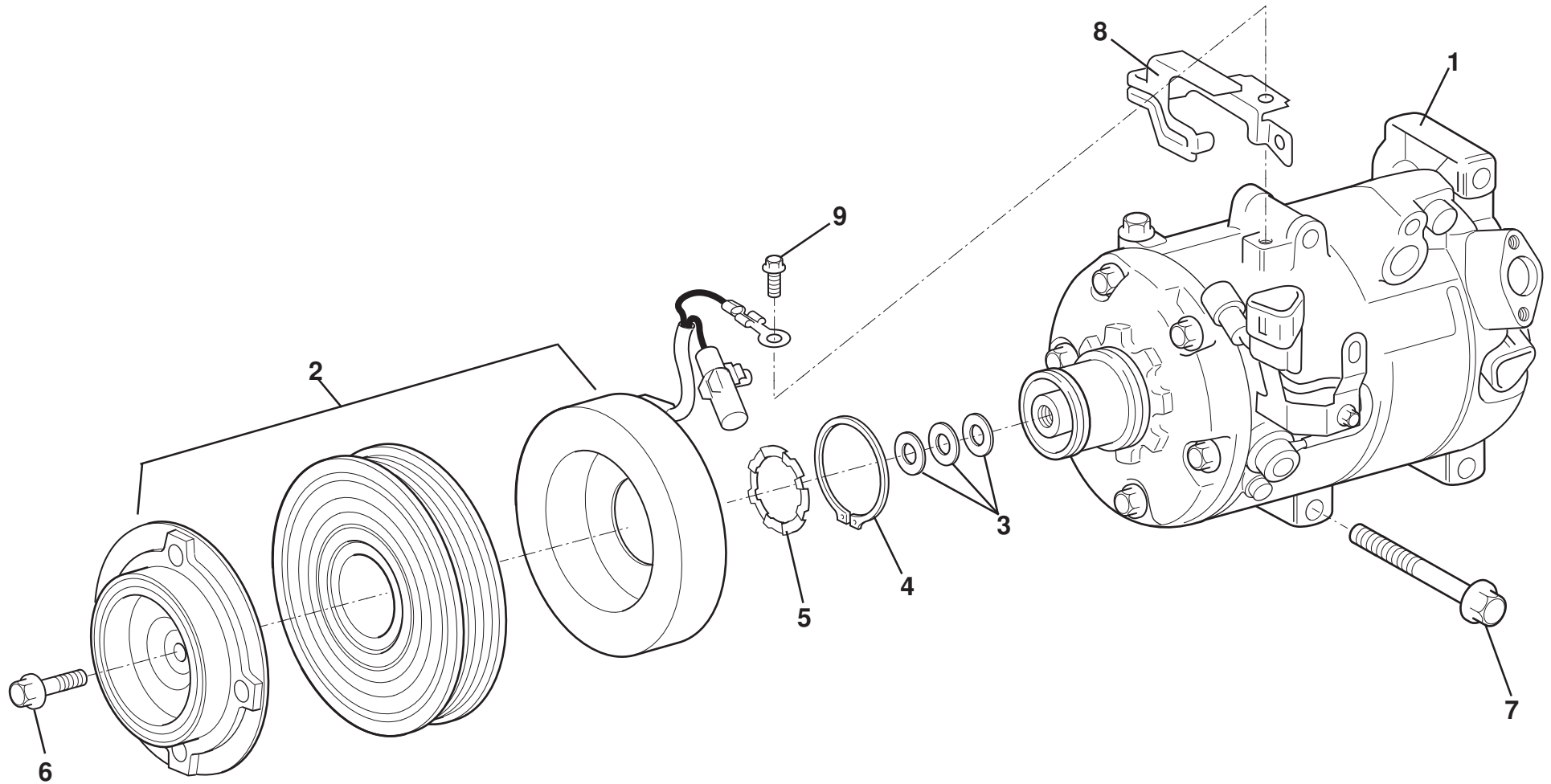
Service Parts List

EVORA



Function Code 40.21 Exhaust Manifold

<u>Dep</u>	<u>Part Description</u>	<u>Remarks</u>	<u>Option</u>	<u>Part Number</u>	<u>Qty</u>
01	Exhaust Manifold, LH			A132E6315S	1
02	Exhaust Manifold, RH	Includes primary heat shield		A132E6316S	1
03	Gasket, exhaust manifold to head			A132E6318S	2
04	Stud, exhaust manifold to head			A132E6117S	12
05	Nut, flange exhaust manifold to head			A132E6394S	12
06	Stay, exhaust manifold no. 1			A132E6313S	1
07	Bolt, hex. flg. hd., stay to manifold LH			A132E6047H	1
08	Stud, LH manifold to downpipe	See see section 45.01		A132E6153S	2
09	Nut, flange, stay fixing			A132E6048H	1
10	Stud, stay fixing			A132E6153S	1



EVORA
40.23

Updated 11th September 2010

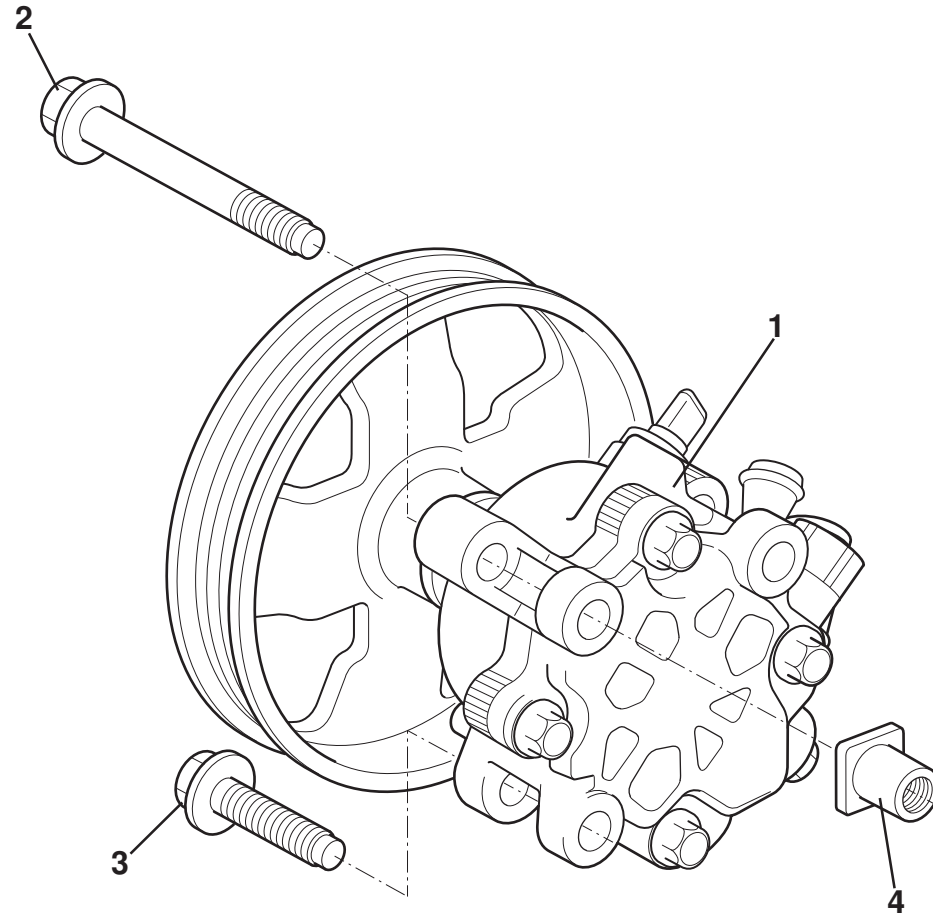
Service Parts List



Function Code 40.23 AC Compressor

<u>Dep</u>	<u>Part Description</u>	<u>Remarks</u>	<u>Option</u>	<u>Part Number</u>	<u>Qty</u>
01	AC Compressor			A132E6349S	1
02	Clutch Assembly, AC compressor			A132E6351S	1
03	Shim Kit, magnetic clutch			A120E6493S	1
04	Circlip, clutch			A132E6354S	1
05	Shaped Circlip, clutch			A132E6353S	1
06	Bolt, hex. flg. hd., AC compressor clutch			A120E6484S	1
07	Bolt, hex. flg. hd., compressor mounting			A132E6367S	4
08	Bracket, harness retention			A132E6352S	1
09	Bolt, hex. flg. hd., bracket to compressor			A132E6467S	1





EVORA
40.25

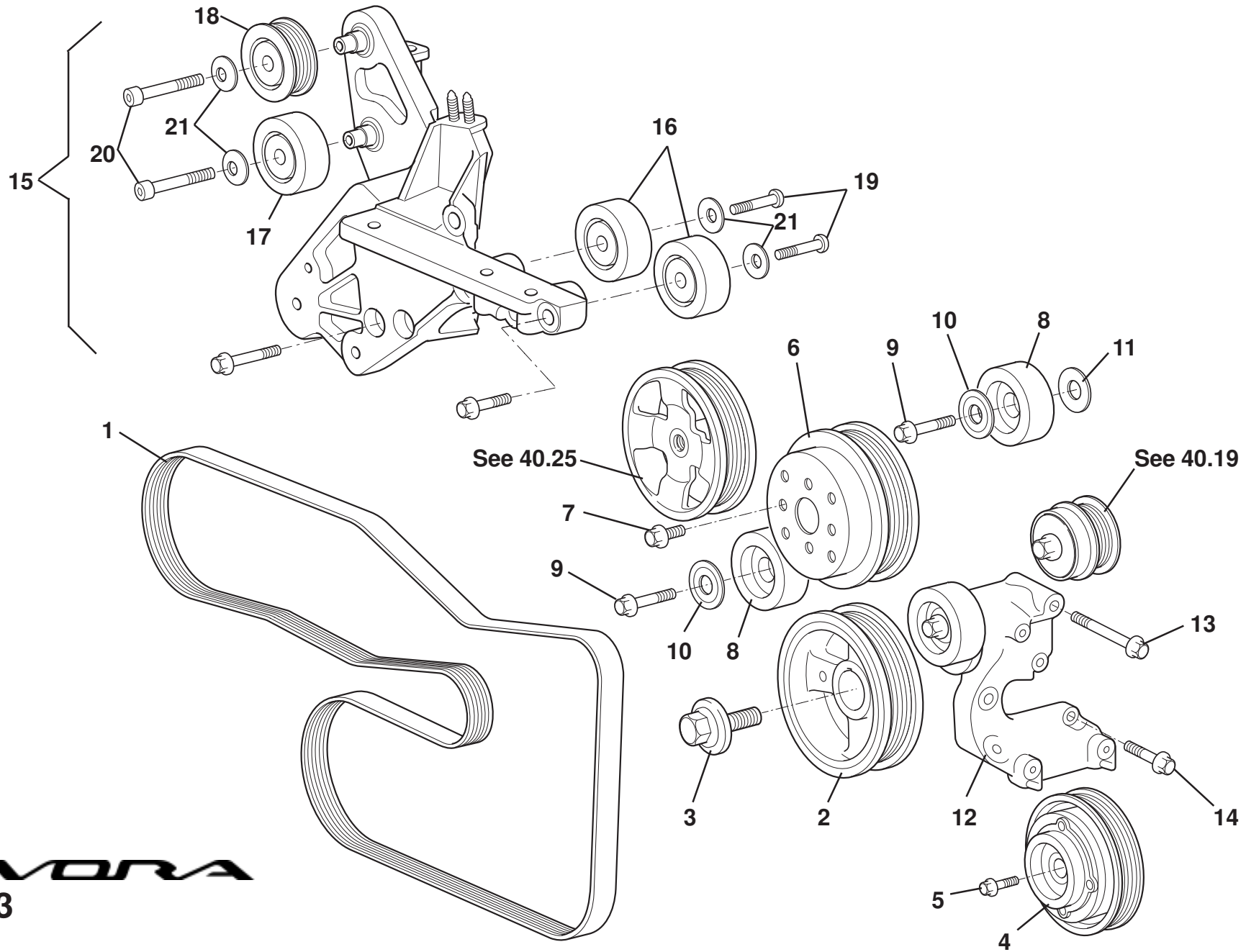
2010/01

Service Parts List



Function Code 40.25 Power Steering Pump, Pulley, Mounts & Fixings

<u>Dep</u>	<u>Part Description</u>	<u>Remarks</u>	<u>Option</u>	<u>Part Number</u>	<u>Qty</u>
01	Pump, power assisted steering (PAS)			A132E6335S	1
02	Bolt, hex. hd. with washer, pump upper fixing			A132E6369S	1
03	Bolt, hex. flg. hd., pump lower fixing			A132E6378S	1
04	Tee Nut, threaded insert, pump upper fixing			A132E6145S	1



EVORA
41.03

Updated 25th May 2011

Service Parts List



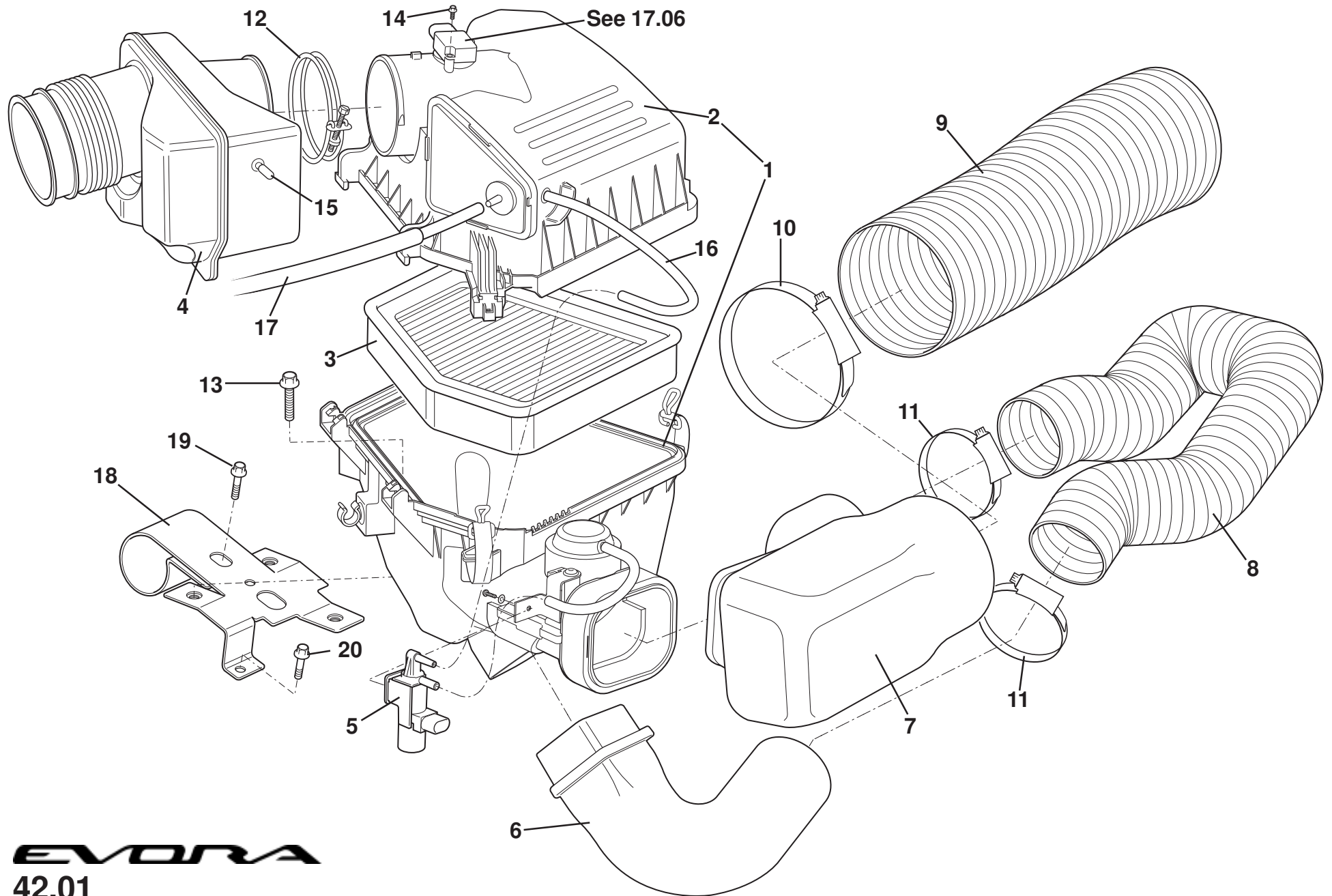
Function Code 41.03 Auxiliary Drive Belts & Pulleys

<u>Dep</u>	<u>Part Description</u>	<u>Remarks</u>	<u>Option</u>	<u>Part Number</u>	<u>Qty</u>
01	Drive Belt, AC, PAS, water pump, + alternator			A132E6397S	1
01a	Drive Belt, AC, PAS, water pump, alternator + supercharger		S/Charged (man & auto)	A132E6500H	1
02	Pulley, crankshaft	Also see 40.11		A132E6198S	1
03	Bolt, hex. flg. hd., crankshaft pulley	Also see 40.11		A132E6199S	1
04	Pulley/Clutch Assy, AC pump	Also see 40.23		A132E6351S	1
05	Bolt, hex. flg. hd., Pulley to pump	Also see 40.23		A120E6484S	1
06	Pulley, water pump	Also see 40.13		A132E6248S	1
07	Bolt, hex. flg. hd., pulley to pump	Also see 40.13		A132E6249S	4
08	Pulley, idler			A132E6261S	2
09	Bolt, hex. flg. hd., idler pulley retention			A132E6421S	2
10	Plate, idler pulley cover, front			A132E6264S	2
11	Plate, idler pulley cover, rear			A132E6262S	2
12	Drive Belt Tensioner Assembly			A132E6263S	1
13	Bolt, hex. flg. hd., tensioner upper fixing			A132E6266S	1
14	Bolt, hex. flg. hd., tensioner lower fixings			A132E6421S	4
15	Bracket Assembly, engine idler mounting		S/Charged (man & auto)	B132E0056F	1
16	Pulley, idler 50mm		S/Charged (man & auto)	A132E6513S	2
17	Pulley, idler 60mm		S/Charged (man & auto)	A132E6514S	1



Function Code 41.03 Auxiliary Drive Belts & Pulleys

<u>Dep</u>	<u>Part Description</u>	<u>Remarks</u>	<u>Option</u>	<u>Part Number</u>	<u>Qty</u>
18	Pulley, idler internal 52.5mm		S/Charged (man & auto)	A132E6515S	1
19	Screw M10 x 50, button hd cap		S/Charged (man & auto)	A132W5042F	2
20	Screw M10 x 50, skt hd cap		S/Charged (man & auto)	A132W5043F	2
21	Washer, pulley transfer		S/Charged (man & auto)	A132W4006F	4



EVORA
42.01

Updated 27th february 2013

Service Parts List

EVORA



Function Code 42.01 Airboxes, Trunking & Air Filters

<u>Dep</u>	<u>Part Description</u>	<u>Remarks</u>	<u>Option</u>	<u>Part Number</u>	<u>Qty</u>
01	Airbox Case Assembly			A132E6481S	1
02	Airbox Case Assembly, upper	P/O item 1		A132E6323S	1
03	Air Filter			A132E6324S	1
04	Hose & Plenum Assembly		Naturally asperated only	A132E6325S	1
04a	Hose, intake supercharger		S/Charged (man & auto)	A132E6507F	1
05	Valve, vacuum switching, intake by-pass			A132E6322S	1
06	Adaptor, airbox bypass			B132E0028F	1
07	Adaptor, main airbox			C132E0027F	1
08	Hose, intake snorkel bypass			A132E0018F	1
09	Hose, main intake			A132E0017F	1
10	Hose Clip, 110-130mm, main hose to retention			A132W6037F	2
11	Hose Clip, bypass hose			A075L6044F	2
12	Hose Clip, plenum to airbox & throttle body			A132E6396S	2
13	Screw, M8 x 30, flg. hd., airbox to bracket			A116W5245F	3
14	Screw, flg. hd., sensor to airbox upper			A120E6447S	2
15	Blanking Plug			A120W6758F	1
16	Hose, vacuum, 245mm, valve to airbox			A121E0008F	1
17	Hose, vacuum, airbox to inlet plenum			A132E6320S	1

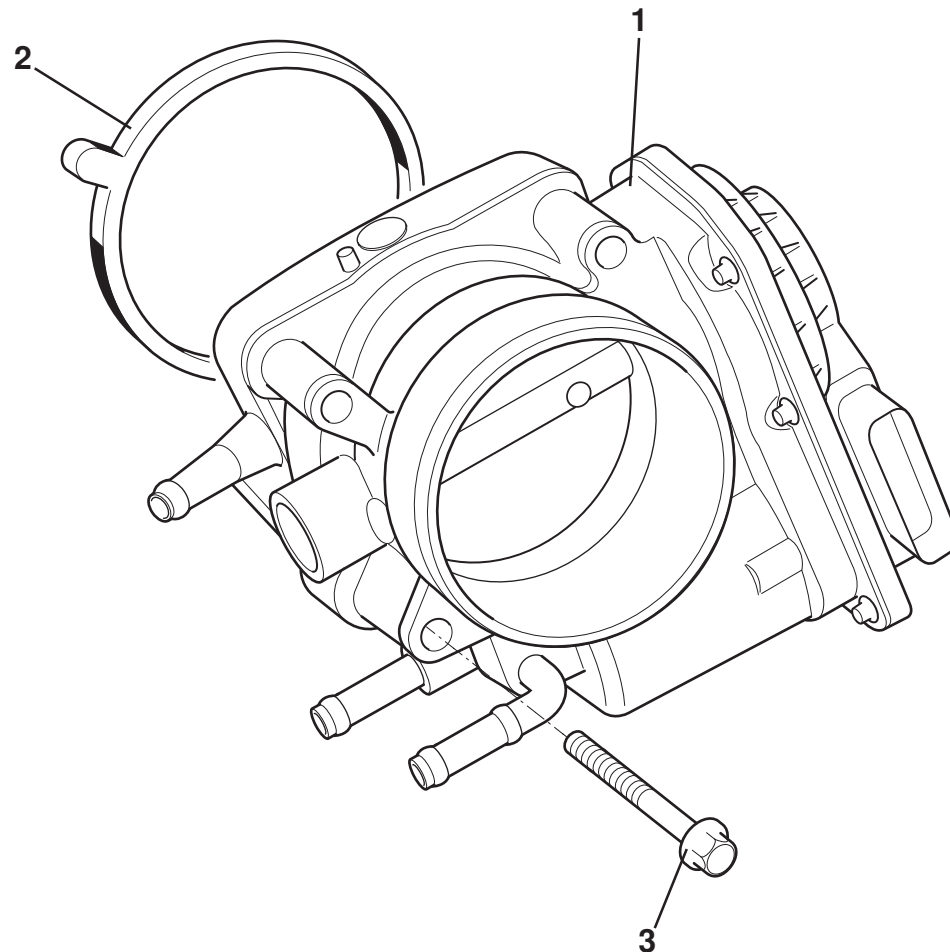
EVORA

Function Code: 42.01, Page: 1

Updated 27th february 2013

Function Code 42.01 Airboxes, Trunking & Air Filters

<u>Dep</u>	<u>Part Description</u>	<u>Remarks</u>	<u>Option</u>	<u>Part Number</u>	<u>Qty</u>
18	Bracket, airbox mounting			C132E0016F	1
18a	Bracket, airbox mounting		Auto (NA & S/Charged)	A132F0086F	1
19	Screw, M6 x 20, hex. flg hd. pump clamping			A132W5004F	1
20	Screw, M6 x 14, hex. flg hd. bracket mounting			A116W5233F	2



EVORA
42.04

2010/01

Service Parts List

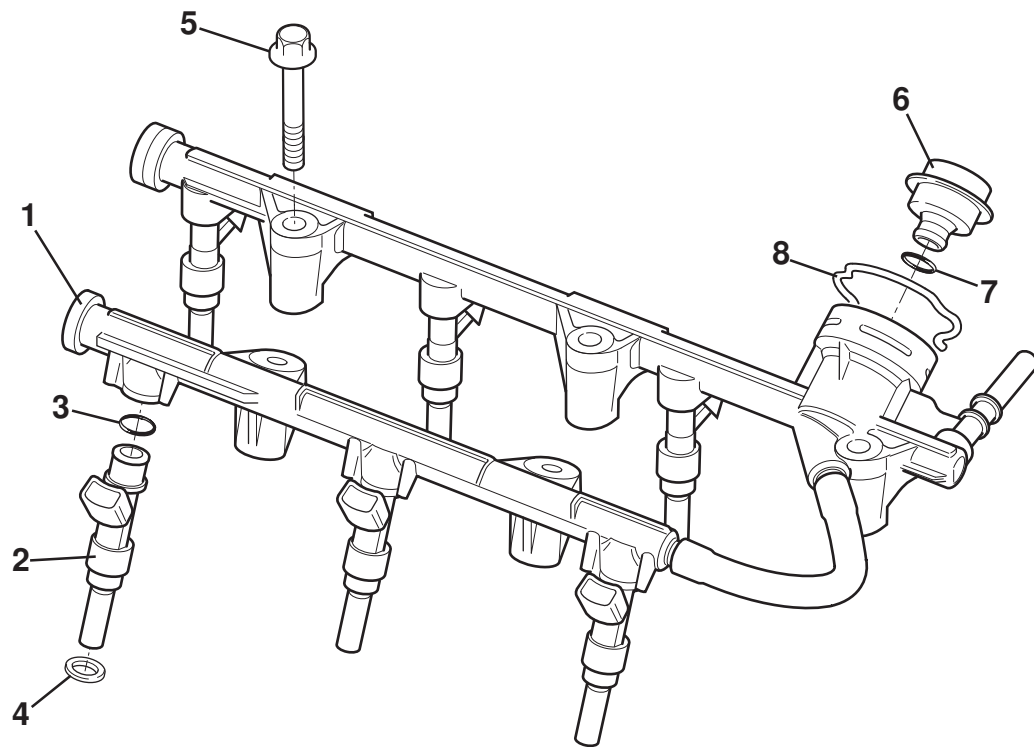
EVORA



Function Code 42.04 Throttle Body, Mechanism & IAC Valve

<u>Dep</u>	<u>Part Description</u>	<u>Remarks</u>	<u>Option</u>	<u>Part Number</u>	<u>Qty</u>
01	Throttle Body			A132E6327S	1
02	Gasket, throttle body to intake plenum			A132E6454S	1
03	Bolt, throttle body to intake plenum			A132E6379S	4

EVORA



EVORA

42.05

2009/02

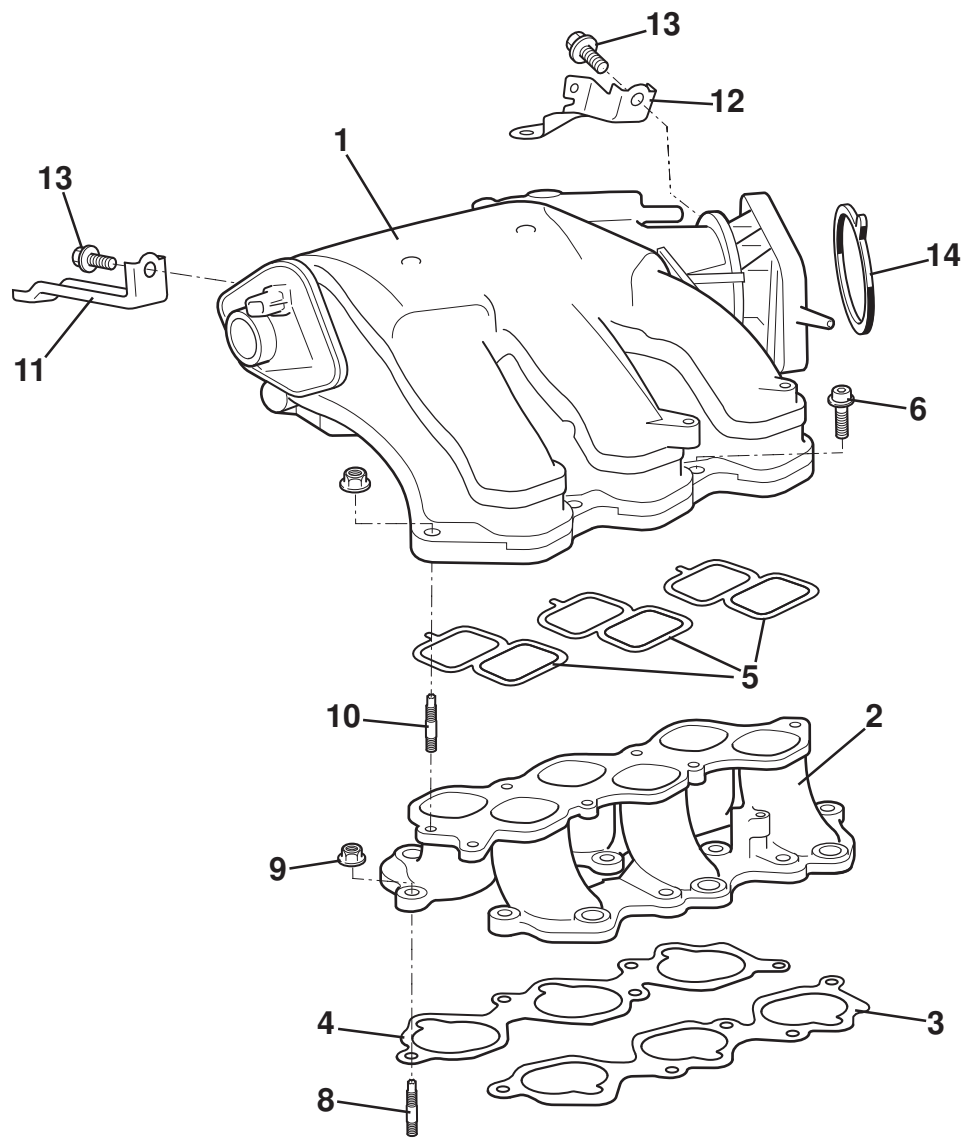
Service Parts List



Function Code 42.05 Fuel Injection System

<u>Dep</u>	<u>Part Description</u>	<u>Remarks</u>	<u>Option</u>	<u>Part Number</u>	<u>Qty</u>
01	Fuel Rail Assembly	Includes 6,7,8		A132E6286S	1
02	Fuel Injector	Includes 'O' ring		A132E6284S	6
02a	Fuel Injector, high flow	Includes 'O' ring	S/Charged (man & auto)	A132E6498H	6
03	'O' Ring, injector to rail			A132E6460S	6
04	Insulator, injector			A132E6285S	6
05	Bolt, hex. flg. hd., rail to engine			A132E6287S	5
06	Fuel Pressure Valve	Includes 'O' ring		A132E6508S	1
07	'O' Ring, valve to rail			A132E6460S	1
08	Clip, valve retention to rail			A132E6509S	1





EVORA
42.07

2010/01

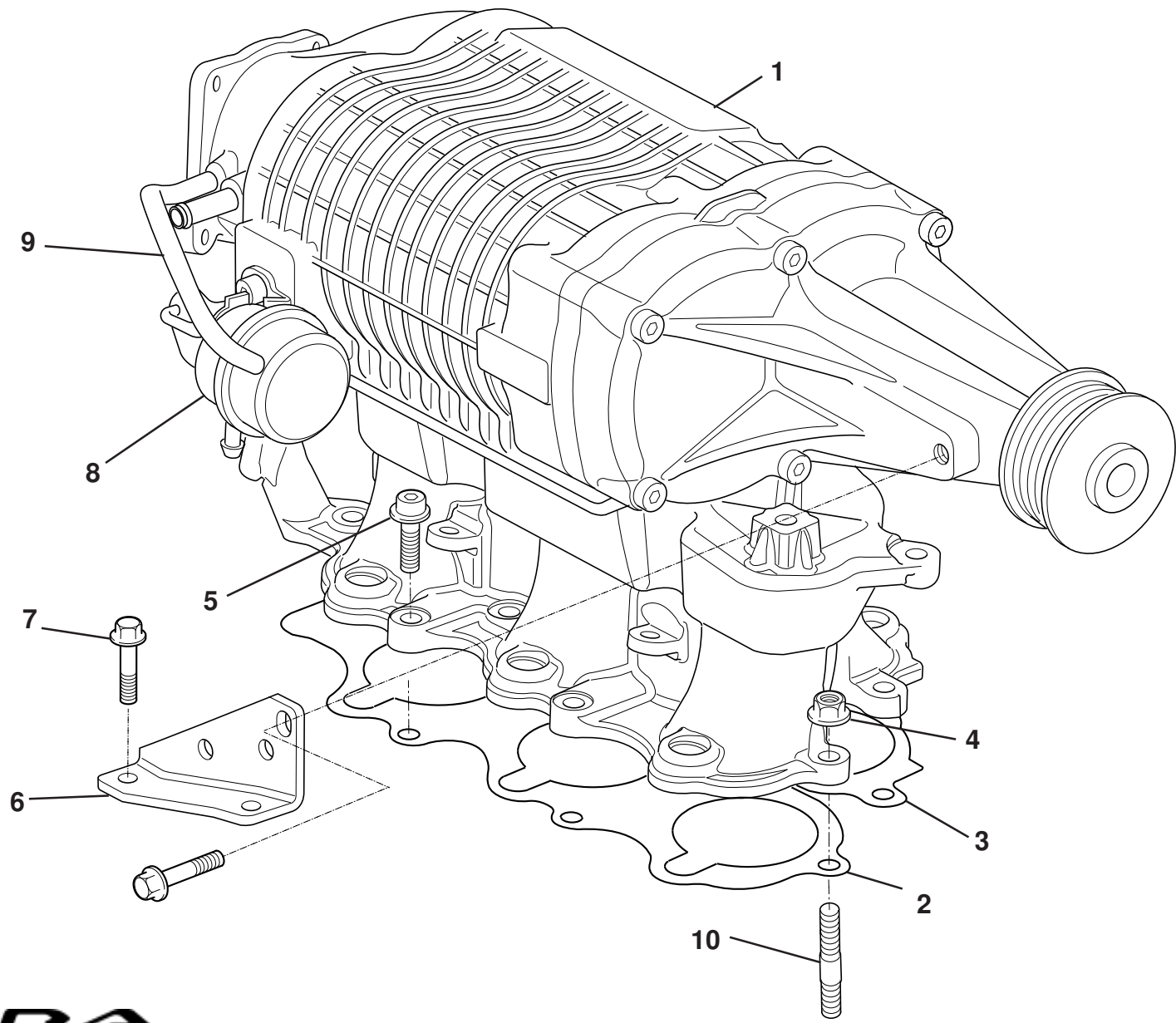
Service Parts List



Function Code 42.07 Inlet Manifold, Plenum & gaskets

<u>Dep</u>	<u>Part Description</u>	<u>Remarks</u>	<u>Option</u>	<u>Part Number</u>	<u>Qty</u>
01	Intake plenum			A132E6319S	1
02	Inlet Manifold			A132E6274S	1
03	Gasket, inlet manifold, LH			A132E6276S	1
04	Gasket, inlet manifold, RH			A132E6275S	1
05	Gasket, intake plenum to inlet manifold			A132E6453S	3
06	Bolt/Washer, socket cap hd., intake plenum to manifold			A132E6363S	4
07	Nut, flange, intake plenum to inlet manifold			A132E6473S	2
08	Stud, inlet manifold to head	Also see 40.05		A132E6116S	8
09	Nut, flange, inlet manifold to head			A132E6474S	4
10	Stud, intake plenum to manifold			A132E6277S	2
11	Stay, intake plenum, front			A132E6314S	1
12	Stay, intake plenum, rear			A132E6328S	1
13	Bolt, flg. hd., stays to intake plenum			A132E6191S	4
14	Gasket, throttle body to intake plenum	Also see 42.04		A132E6454S	1





EVORA
42.09

Updated 25th May 2011

Service Parts List

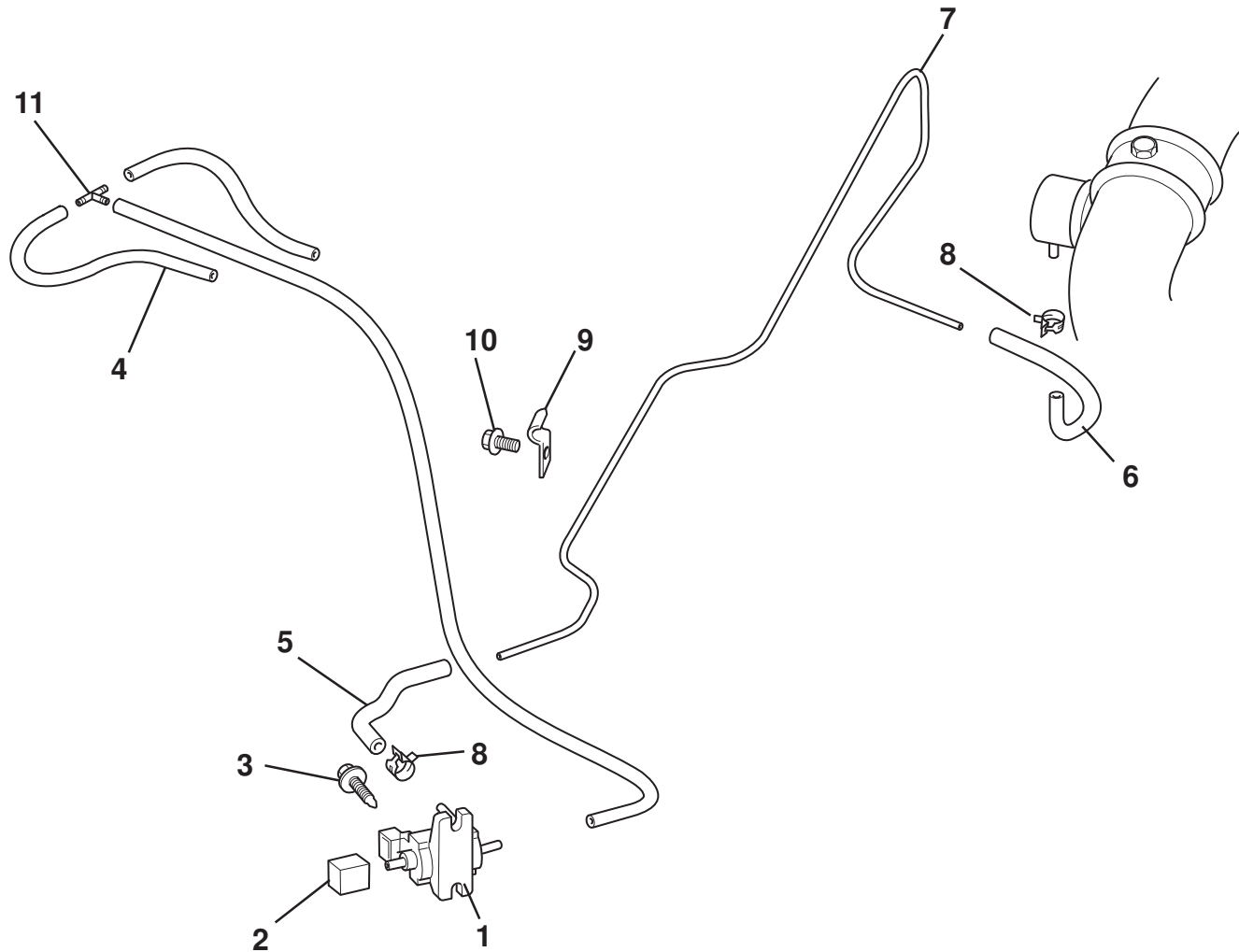
EVORA



Function Code 42.09 Supercharger

<u>Dep</u>	<u>Part Description</u>	<u>Remarks</u>	<u>Option</u>	<u>Part Number</u>	<u>Qty</u>
01	Supercharger Assembly			B132E6494F	1
02	Gasket, inlet manifold LH			A132E6276S	1
03	Gasket, inlet manifold RH			A132E6275S	1
04	Nut, flange, supercharger to head			A132E6474S	6
05	Bolt/Washer, socket cap hd, supercharger to head			A132E6363S	4
06	Bracket			B132E6495F	1
07	Bolt, hex flg hd			A132E6191S	3
08	Vacuum actuator, supercharger			A132E6516S	1
09	Hose, vacuum actuator, supercharger			A132E6517S	1
10	Stud M8 x 25			A132E6116S	6

EVORA



EVORA
43.03

Updated 21st December 2010

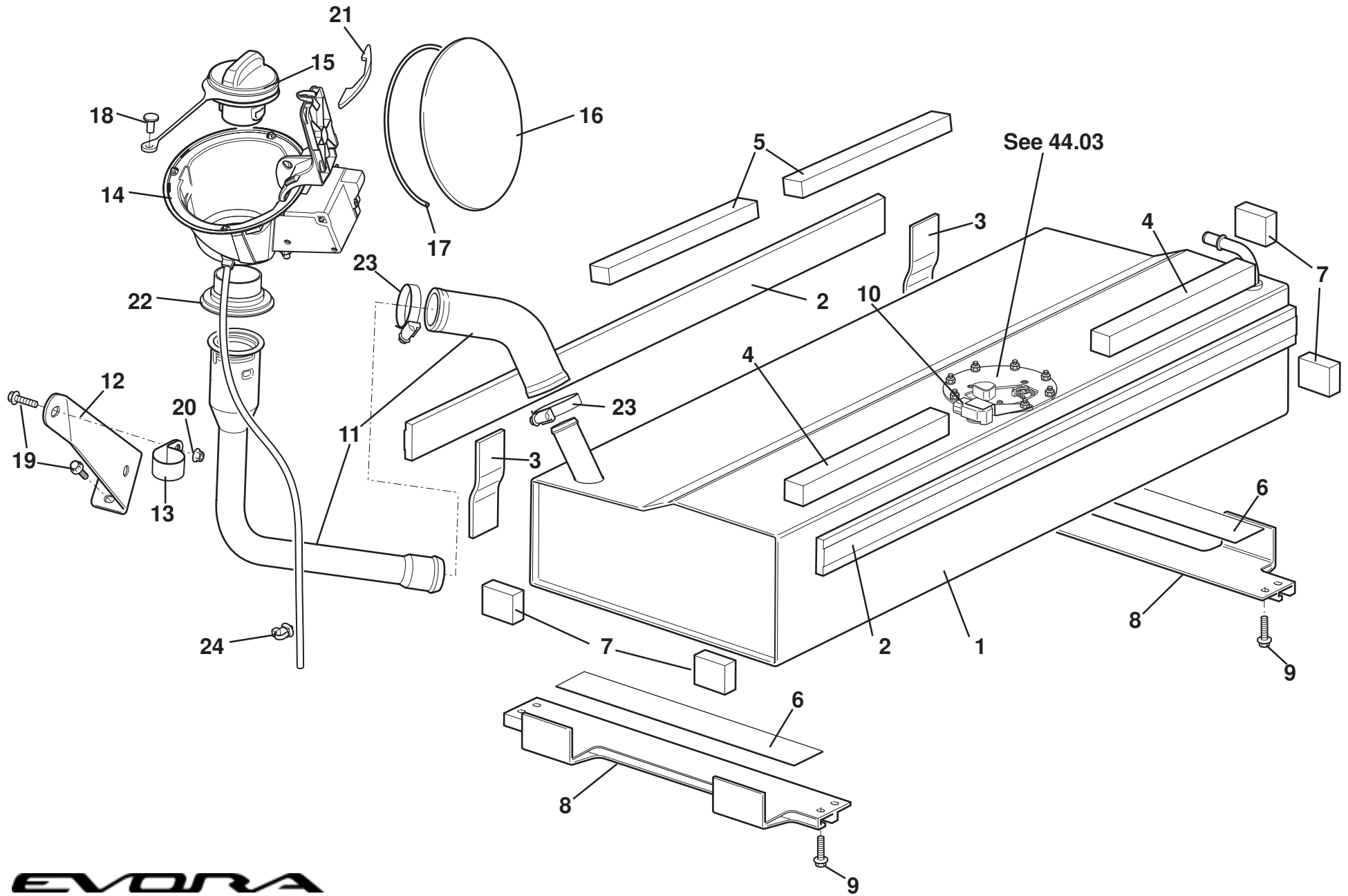
Service Parts List



Function Code 43.03 Vacuum System, Hoses, Pipes & Fittings

<u>Dep</u>	<u>Part Description</u>	<u>Remarks</u>	<u>Option</u>	<u>Part Number</u>	<u>Qty</u>
01	Solenoid Valve, exhaust flap		A132S6011F R/B	A132S6014F	1
02	Air Filter, solenoid			A132S0152F	1
03	Screw M5 x 16 hex flg			A132W5016F	2
04	Hose Vacuum, valve to pipe	Cut to length		A121E0008F	1
05	Hose Vacuum, solenoid to pipe			A128E0027F	1
06	Hose Vacuum, airbox to soleniod	Cut to length		A121E0008F	1
06a	Hose Vacuum, valve to pipe	To be confirmed	MY12	B132S0203F	1
07	Pipe Vaccum			A132S0145F	1
07a	Pipe Vaccum	To be confirmed	MY12	B132S0182F	1
08	Clamp Hose, oetiker			A111L6027F	2
09	Clip Fixing			A132W6078F	4
10	Screw M5 x 12 hex flg			A132W5002F	4
11	'T' Piece			A120E6524F	1
12	Heat Protective wrap 180mm	Not Illustrated	MY12	A120L0061F	1
13	Screw M6 x 16 hex flg. vacuum pipe	Not Illustrated	MY12	A132W5003F	3
14	'P' Clip, vacuum pipe	Not Illustrated	MY12	A132W6090F	3





EVORA

44.01

Updated 11th November 2010

Service Parts List

EVORA



Function Code 44.01 Fuel Tanks, Filler

<u>Dep</u>	<u>Part Description</u>	<u>Remarks</u>	<u>Option</u>	<u>Part Number</u>	<u>Qty</u>
01	Fuel Tank Assembly, complete	Includes pump & clamp		D132L0003F	1
01a	Fuel Tank Assembly, complete	Includes pump & clamp	Evora Supercharged	A132L0093F	1
02	Pad, fuel tank front & rear support			B132L0021F	2
03	Pad, fuel tank rear			A132L0023F	2
04	Pad, fuel tank mounting upper front			A132L0024F	2
05	Pad, fuel tank mounting upper rear			A132L0025F	2
06	Pad, fuel tank mounting lower			B132L0026F	2
07	Pad, fuel tank side			B132L0071F	2
08	Bracket, fuel tank mounting			A132L0076F	2
09	Screw, M8 x 25, flg. hd., brackets to chassis			A132W5006F	8
10	Tank Pressure Sensor			A132E6355S	1
11	Fuel Filler Neck & Hose Assembly			A132L0044F	1
12	Bracket, fuel filler neck support			C132L0046F	1
13	Clamp, fuel filler neck support			A121W6785F	1
14	Bowl Assembly, fuel filler	Includes solenoid and drain tube		A132L6012F	1
15	Cap, fuel filler			A121L6004F	1
16	Fuel Filler Flap		Primed	A132U0301K	1
17	Seal, filler flap			B132U0172F	1

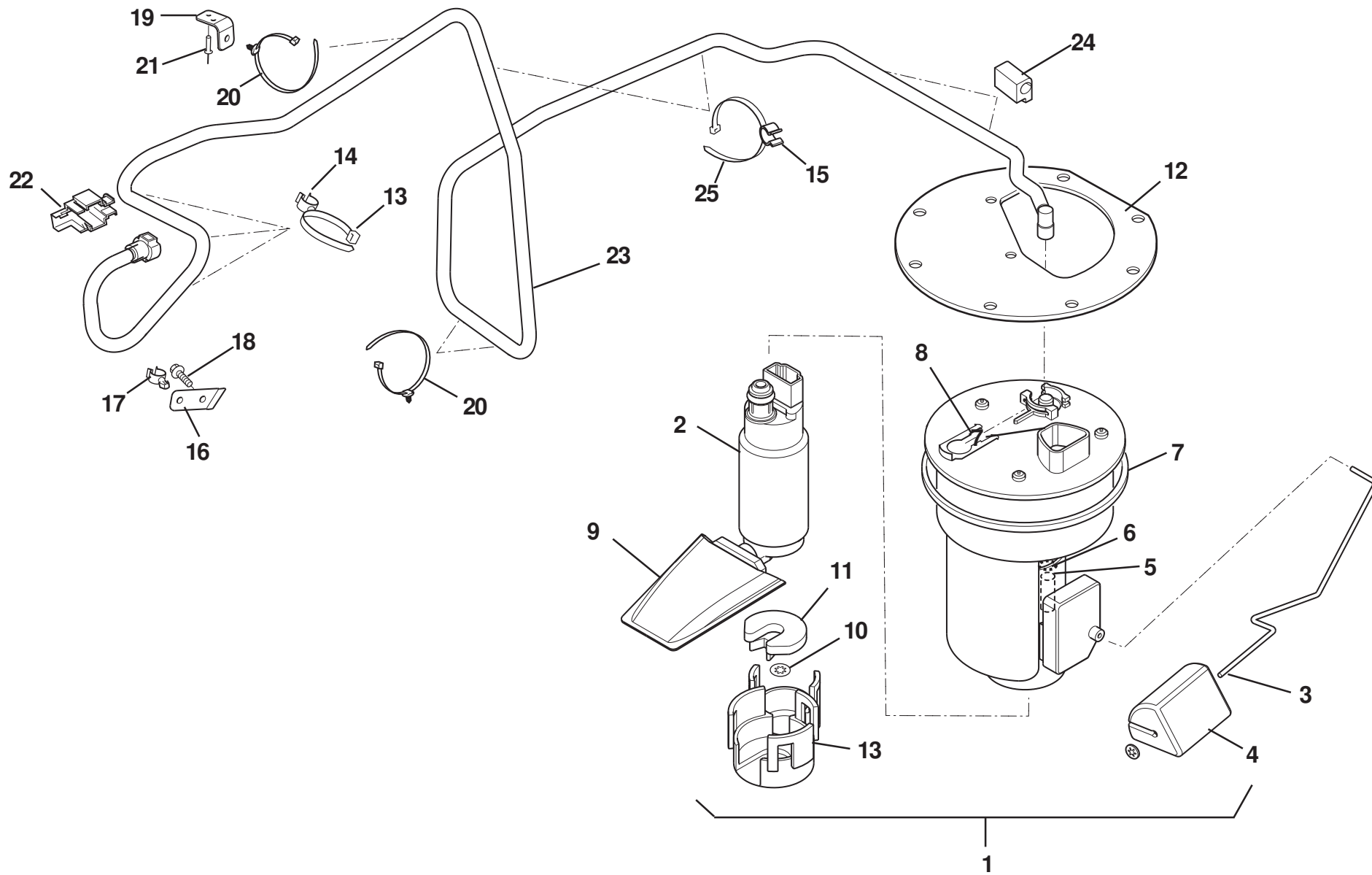
EVORA

Function Code: 44.01, Page: 1

Updated 27th february 2013

Function Code 44.01 Fuel Tanks, Filler

<u>Dep</u>	<u>Part Description</u>	<u>Remarks</u>	<u>Option</u>	<u>Part Number</u>	<u>Qty</u>
18	Fastener, fuel cap teather			A132L6025F	1
19	Screw, M6 x 20, flg. hd., bracket & clamp fixing			A132W5004F	3
20	Nut, M6 flg., clamp to bracket			A132W3004F	1
21	Seal Pad, fuel flap bowl			A132U0314F	1
22	Grommet, fuel filler neck			A121L0085F	1
23	Hose Clip, filler hose			A120W6784F	2
24	Tie Wrap Clip, drain tube			A116K6020F	2



EVORA
44.03

Updated 21st November 2012

Service Parts List

EVORA



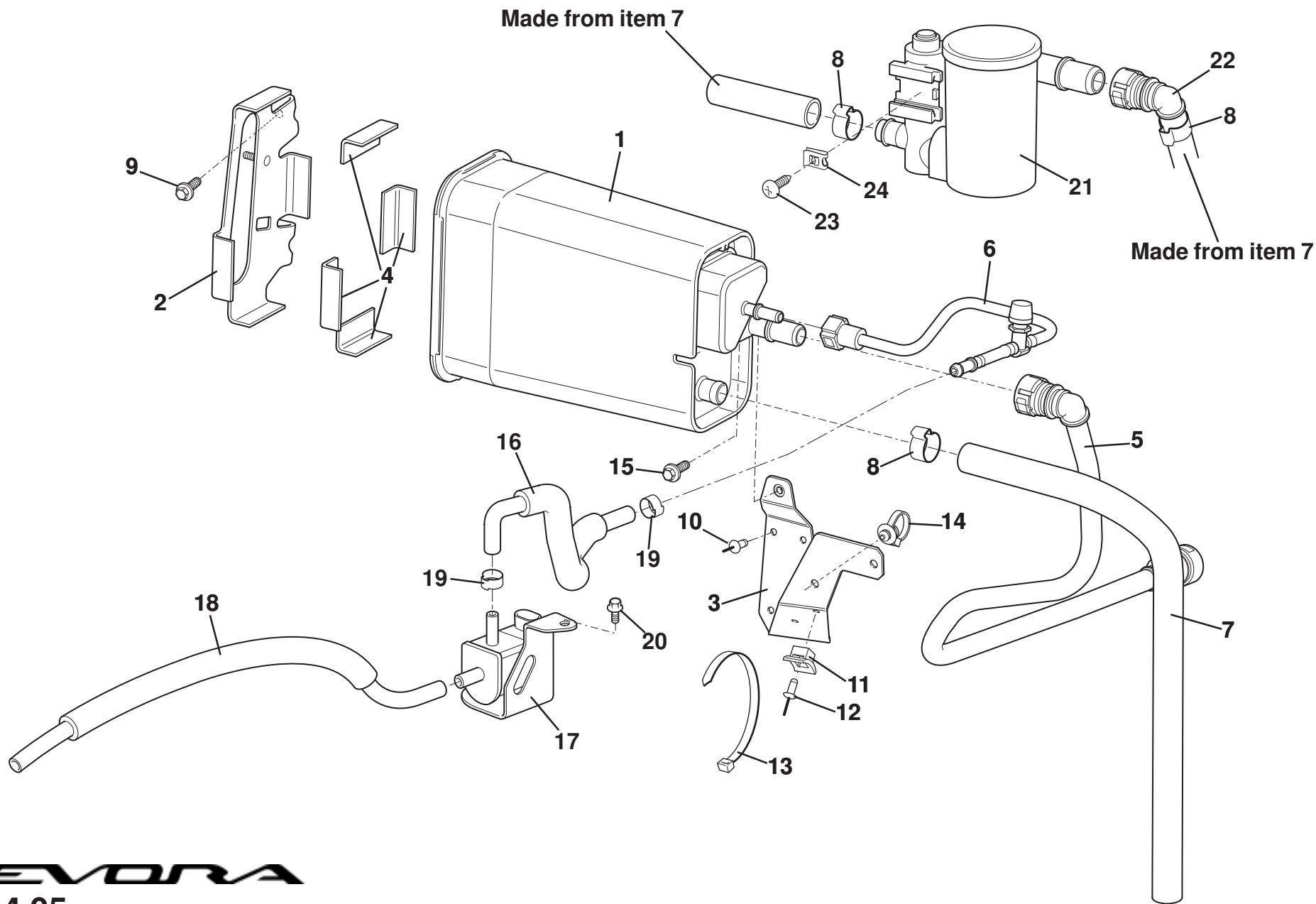
Function Code 44.03 Fuel Pump; Filter, Pipes

<u>Dep</u>	<u>Part Description</u>	<u>Remarks</u>	<u>Option</u>	<u>Part Number</u>	<u>Qty</u>
01	Fuel Module Assembly	Includes items 2, 3 - 13		A132L0081H	1
01a	Fuel Module Assembly	Includes items 2a, 3 -13	S/Charged (man & auto)	A132L0092H	1
02	Fuel Pump with filter			A132L6041H	1
02a	Fuel Pump with filter, high flow	Discard filter supplied	S/Charged (man & auto)	A132E6499H	1
03	Arm, sender to float			A132L0080H	1
04	Float, fuel level			A132L6036H	1
05	Fuel Pressure Regulator			A132E6339S	1
06	'O' Ring, fuel pressure regulator			A132E6340S	1
07	Seal, fuel pump			A120L6009S	1
08	Clip, pipe retaining			A120L6012S	1
09	Fuel Pump Filter			A132L6046F	1
10	Star Washer			A132L6047F	1
11	Cushion, rubber, fuel pump support			A132E6338S	1
12	Clamp Plate, fuel Pump			B132L0004H	1
13	Cap, fuel pump module base			A132L6049H	1
14	Cable Pipe Clip Female			A132W6047F	3
15	Swivel Clip Male			A082W6587F	2
16	Bracket Fuel Feed Support Rail			B132L0032F	1

EVORA

Function Code 44.03 Fuel Pump; Filter, Pipes

<u>Dep</u>	<u>Part Description</u>	<u>Remarks</u>	<u>Option</u>	<u>Part Number</u>	<u>Qty</u>
17	Clip Pipe			A128W6831F	1
18	Screw M6 x 12 hex flg			A132W5010F	1
19	Bracket Fuel Feed Support Bulkhead			B132L0070F	1
20	Clip Cable Tie			A116K6020F	3
21	Rivet Pop			A082W6512F	2
22	Clamp Fuel Pipe no. 2			A132E6332S	1
23	Pipe Assembly, fuel feed			B132L0031F	1
24	Pad, fuel feed pipe support			B132L0027F	2
25	Swivel Clip Tie Wrap			A082W6324F	5



EVORA
44.05

2010/01

Service Parts List



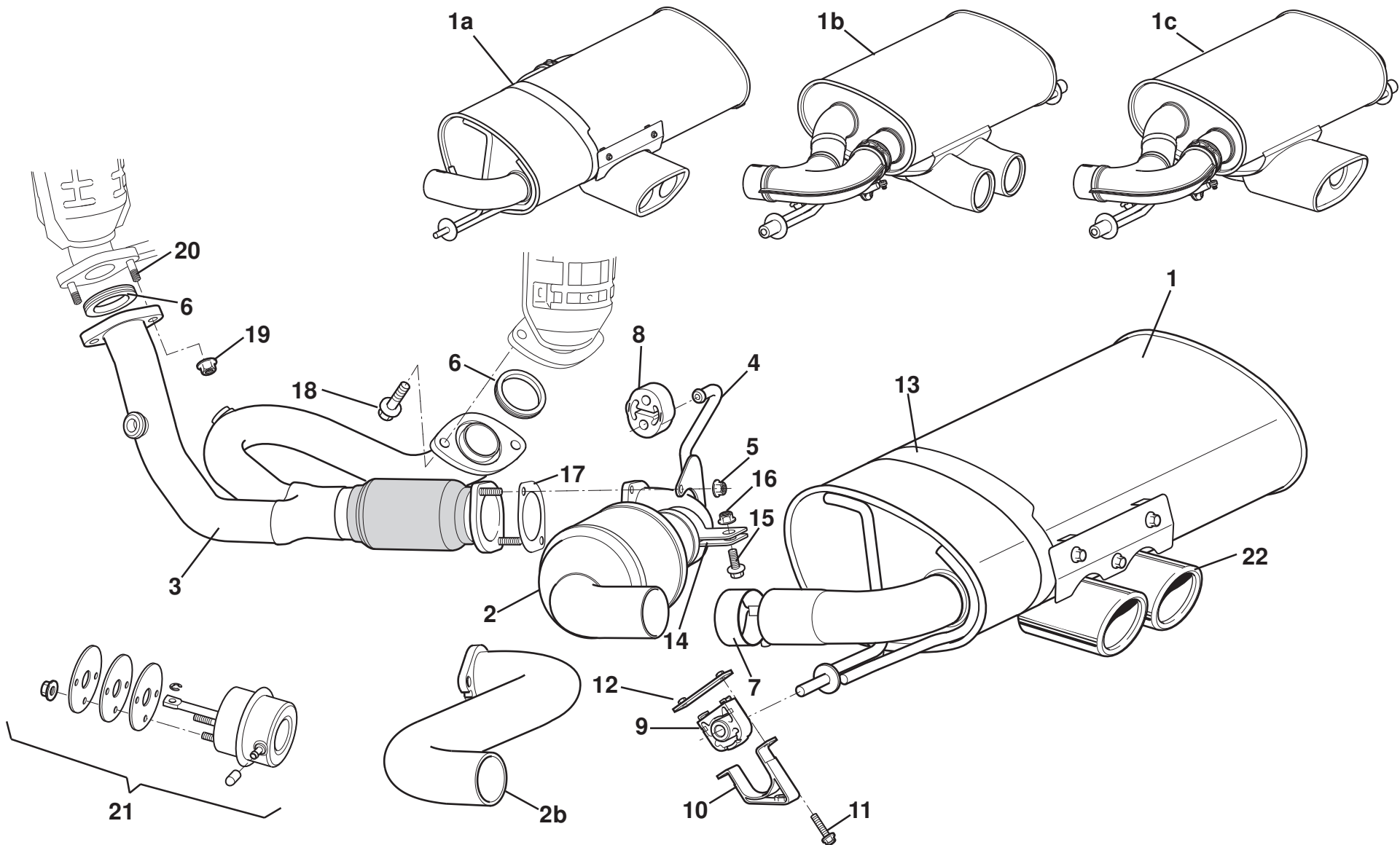
Function Code 44.05 Charcoal Canister & Evaporative Loss System.

<u>Dep</u>	<u>Part Description</u>	<u>Remarks</u>	<u>Option</u>	<u>Part Number</u>	<u>Qty</u>
01	Charcoal Canister			A132L6004F	1
02	Bracket, canister mounting, base			A132L0079F	1
03	Bracket, canister mounting, hose end			B132L0073F	1
04	Pad, canister base to bracket			A132L0028F	4
05	Pipe Assembly, tank to canister			B132L0034F	1
06	Pipe Assembly, canister to purge valve			B132L0035F	1
07	Hose, canister vent	Cut for USA application	Euro	B132L0056F	1
08	Hose Clip, otiker, hose to canister/elbow	1 off Euro, 2 off USA		A121W6774F	2
09	Screw, M6 x 16, hex. flg. hd., bracket to bulkhead			A132W5003F	2
10	Pop Rivet, bracket to bulkhead			A111W6613F	3
11	Cradle, cable tie			A082W6293F	2
12	Pop Rivet, cradle tie saddle to bracket			A085W6259F	2
13	Cable tie, heater hose to bracket			A075W6038Z	2
14	Clip, cable tie			A116K6020F	1
15	Screw, M6 x 20, hex. flg. hd., canister to bracket			A132W5004F	1
16	Hose, canister to purge valve			A132L0078F	1
17	Purge Valve/Bracket Assembly			A132E6288S	1
18	Hose, purge valve to inlet plenum			A132E6331S	1



Function Code 44.05 Charcoal Canister & Evaporative Loss System.

<u>Dep</u>	<u>Part Description</u>	<u>Remarks</u>	<u>Option</u>	<u>Part Number</u>	<u>Qty</u>
19	Hose Clamp, oetiker, hose to valve & pipe assy.			A116W6657F	2
20	Screw, hex. flg. hd., purge valve to engine			A132E6249S	1
21	Canister Close Valve		USA	A121L0004F	1
22	Elbow Connector, 14mm ID hose		USA	A132L6017F	1
23	Screw, no. 6 x 1/4", pan pozi., S/T, canister to bracket		USA	A121W5283F	1
24	Spirenut, no. 6, canister to bracket		USA	A075W6014F	1



EVORA

45.01

Updated 16th July 2012

Service Parts List



Function Code 45.01 Exhaust System

<u>Dep</u>	<u>Part Description</u>	<u>Remarks</u>	<u>Option</u>	<u>Part Number</u>	<u>Qty</u>
01	Silencer Assembly	Without finisher	MY09-11 NA (man & auto)	C132S0003F	1
01a	Silencer Assembly		MY11 S/Charger (man)	A132S0154F	1
01b	Silencer Assembly		MY12 NA (man & auto)	A132S0185F	
01c	Silencer Assembly		MY12 S/Charger (man) & auto	A132S0180F	1
02	Main Catalytic Converter		MY09-11	B132S0014F	1
02a	Main Catalytic Converter		MY11 S/Charger (man), Auto	A132S0108F	1
02b	Pipe Assembly Exhaust, downpipe to silencer		MY12 not federal	A132S0177F	1
03	Downpipe		MY09-11	B132S0002F	1
03a	Downpipe		MY11 S/Charger (man), Auto	A132S0110F	1
04	Bracket, catalyst to hanger		MY09-11	B132S0036F	1
04a	Bracket, catalyst to hanger		MY11 S/Charger (man) & auto), Auto	A132S0121F	1
05	Nut, M8, lock, copper coated, downpipe to catalyst			A132W3014F	2
06	Gasket, downpipe to manifold			A132S6013S	2
07	Torca Clamp, catalyst to silencer			A120S6000S	1
08	Exhaust Hanger, catalyst mounting			A132S6004F	1
09	Exhaust Hanger, silencer mounting			B132S0088F	2
09a	Exhaust Hanger, silencer mounting		MY12	A132S0171F	2
10	Strap, exhaust mounting			B132S0034F	2

Function Code 45.01 Exhaust System

<u>Dep</u>	<u>Part Description</u>	<u>Remarks</u>	<u>Option</u>	<u>Part Number</u>	<u>Qty</u>
11	Bolt, M8 x 20, hex. flg. hd., strap to subframe			A132W5005F	4
12	Nutplate, M8, strap to subframe			A132S0063F	2
13	Strap, silencer to catalyst			A132S0054F	1
14	Strap, catalyst to silencer			B132S0075F	1
15	Screw, M8 x 25, hex. flg. hd., catalyst strap retention			A132W5006F	1
16	Nut, M8, lock, catalyst strap retention			A075W3035Z	1
17	Gasket, downpipe to main catalytic converter pipe			A132S0062F	1
18	Bolt, RH manifold to downpipe			A132E6362S	2
19	Nut, LH manifold to downpipe			A132E6504S	2
20	Stud, LH manifold to downpipe	Also see section 40.21		A132E6153S	2
21	Valve Actuator Kit			A132S6016S	1
22	Exhaust finisher, stainless steel		Base	B132S0093F	1
22a	Exhaust finisher, titanium		Sports pack	B132S0076F	1

Service Parts List

EVORA



Function Code 45.05 Heatshields

<u>Dep</u>	<u>Part Description</u>	<u>Remarks</u>	<u>Option</u>	<u>Part Number</u>	<u>Qty</u>
01	Heatshield Assembly, silencer		C132S0005F R/B	E132S0005F	1
02	Heatshield Assembly, front catalyst			C132S0013F	1
03	Vent, heatshield duct			D132S0017F	1
04	Heatshield Assembly, bootbox front	Includes cover plate & fixings		C132S0007F	1
05	Heatshield Assembly, bootbox lower			B132S0009F	1
06	Heatshield Assembly, battery box		D132S0049F R/B	B132S0116F	1
07	Heatshield Assembly, engine rear mount			C132S0011F	1
08	Heatshield Assembly, PAS pump			A132S0082F	1
09	Heatshield Assembly, driveshaft bearing			B132S0084F	1
10	Heatshield Assembly, alternator	Uses existing fixing		B132S0095F	1
11	Heatshield Assembly, ARB sleeve		If fitted	A132S0119F	1
12	Duct Assembly, battery box cooling			B132S0039J	1
13	Duct, heatshield engine bay front, RH			B132S0094F	1
14	Duct, heatshield engine bay front, LH			C132S0016F	1
15	Insulation Panel, rear bulkhead			B132U0113F	1
16	Flexible Duct, heatshield vent			A132S0081F	1
17	Cap End, flexible duct, 50mm			A132S0106F	1
18	Bracket, duct support			C132S0052F	1

EVORA

Function Code 45.05 Heatshields

<u>Dep</u>	<u>Part Description</u>	<u>Remarks</u>	<u>Option</u>	<u>Part Number</u>	<u>Qty</u>
19	Hose Clip, duct to vent			A132W6046F	1
20	Cable Tie, duct to bracket			A075W6038F	1
21	Clip, cable tie, duct to bracket			A116K6020F	1
22	Nut, M10, flg., vent fixing			A132W5006F	1
23	Nut, M8, flg., vent fixing			A132W3006F	1
24	Screw, M6 x 14, hex. flg. hd., vent fixing			A116W5233F	1
25	Nut, M8, flg., vent fixing			A117W2203F	4
26	Washer, flat, M6 x 18 x 1.0, vent fixing			B082W4018F	4
27	Nut, M8, flg., heatshield fixing			A132W3006F	3
28	Washer, flat, M8 x 16..6 x 1.4, heatshield fixing			A075W4020F	2
29	Screw, M10 x 50, hex. hd., heatshield fixing			A132W2045F	1
29a	Screw, M10 x 20, hex. flg. hd., heatshield fixing			A132W5007F	2
30	Nut, M10, flg., heatshield fixing			A132W3007F	1
30a	Nut, M10, hex flg., heatshield fixing			A132W3005F	2
31	Spacer, engine mount heatshield			A132S0053K	1
32	Screw, M6 x 20, hex. flg. hd., heatshield fixing			A132W5004F	3
33	Spirenut, M6, heatshield fixing			A117W6715F	1
34	Nut, M6, flg., duct fixing			A132W3004F	2
35	Pop Rivet, heatshields to subframe			A085W6259F	8
36	Pop Rivet, bootbox heatshield to floor			A111W6614F	5
37	Washer, flat, M5 x 15 x 1.4, black, heatshield to floor			A082W4098F	10



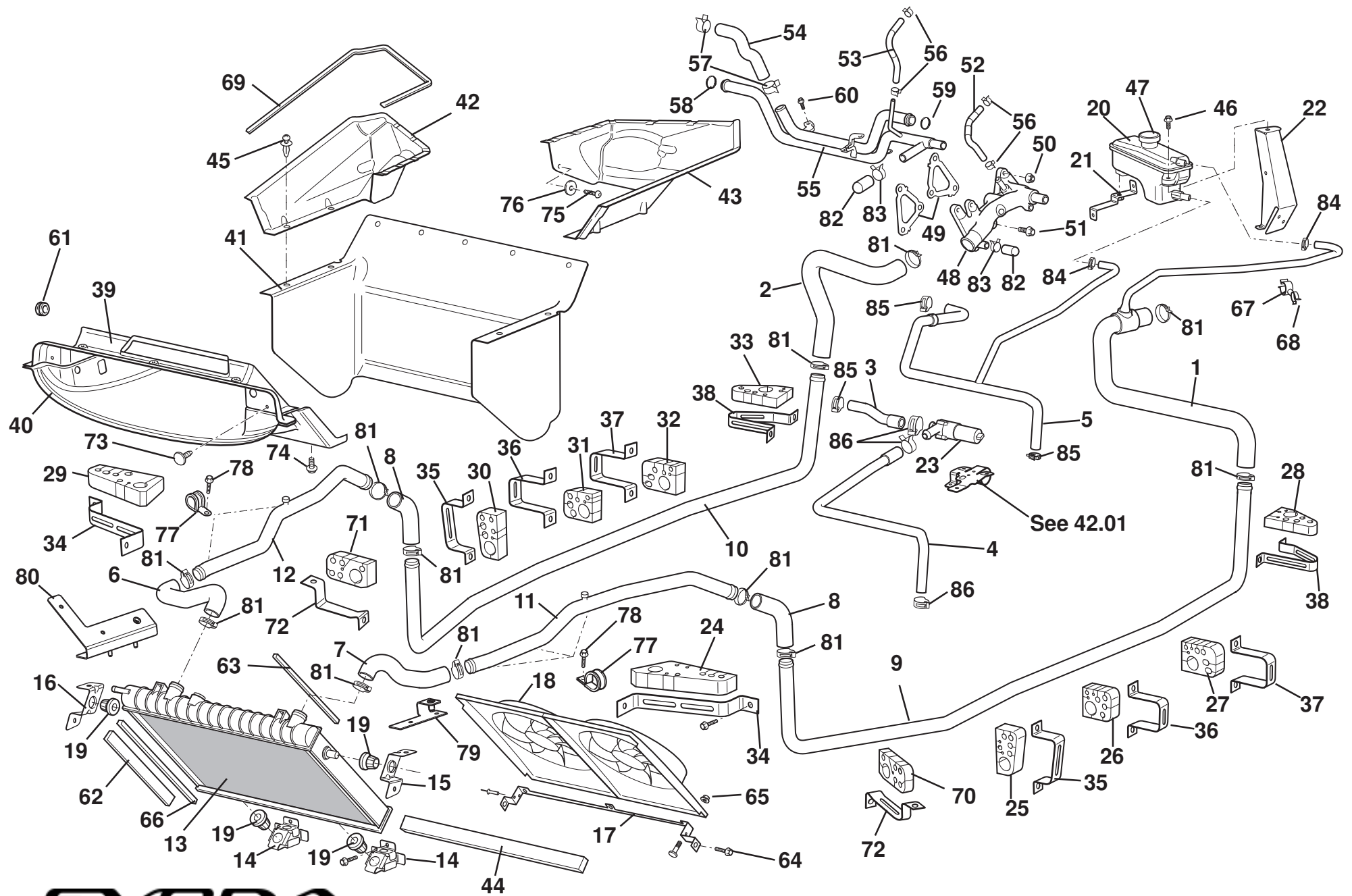
Function Code 45.05 Heatshields

<u>Dep</u>	<u>Part Description</u>	<u>Remarks</u>	<u>Option</u>	<u>Part Number</u>	<u>Qty</u>
38	Screw, M6 x 16, hex. flg. hd., heatshield to subrame			A132W5003F	10
39	Washer, flat, M6 x 18 x 1.0, heatshield to subrame			B082W4018F	5
40	Nut, M6, flg., heatshield to subrame			A117W3180F	5
41	Bolt, M6 x 40, hex. flg. hd., heatshield fixing			A132W2019F	2
42	Nut, M6, flg., heatshield fixing			A117W3180F	2
43	Screw, M6 x 20, hex. flg. hd., heatshield fixing			A117W2203F	5
44	Washer, flat, M6 x 18 x 1.0, heatshield fixing			B082W4018F	4
45	Spirenut, M6, heatshield & cover fixing			A117W6715F	9
46	Cover Plate, bootbox heatshield	P/O heatshield assembly item 7	Order heatshield	C132S0007F	1
47	Bolt, M6 x 14, hex. flg. hd., cover plate fixing			A116W5253F	4
48	Nyloc Nut, M5, flg., panel to bulkhead			A132W3000F	6
49	Washer, flat, M5 x 19 x 1.4, S/S black, panel to bulkhead			B082W4107F	6
50	Insulation, bootbox front	Trim to use		B132U0535F	1
51	Heatshield, exhaust manifold, LH*			A132E6317S	1
52	Flange bolt/washer, exhaust manifold heatshield, LH			A132E6390S	3
53	Insulation, boot floor			B132U0164 F	1
54	Insulation, boot floor rear			A132U0355F	1
55	Heatshield Rear Transmission Mount		Auto NA & S/Charged	A132S0114F	1
56	Rivet, heatshield rear transmission mount		Auto NA & S/Charged	A089W6297F	2
57	Bracket Heatshield, drive shaft bearing		Auto NA & S/Charged	A132S0124F	1
58	Washer Flat M10, bracket heatshield engine		Auto NA & S/Charged	A075W4024F	1



Function Code 45.05 Heatshields

<u>Dep</u>	<u>Part Description</u>	<u>Remarks</u>	<u>Option</u>	<u>Part Number</u>	<u>Qty</u>
59	Setscrew M10x 20, bracket heatshield engine		Auto NA & S/Charged	A075W1079F	1
60	Rivet, bracket heatshield engine		Auto NA & S/Charged	A132W6024F	1
61	Heatshield, rear cylinder head			A132S0174F	1
62	Screw M6 x 12 hex flg, heatshield rear cylinder head			A132W5010F	2
63	Assembly Heatshield, toe control arm		MY12	A132S0204F	1
64	Bolt M6 x 40 hex flg			A132W2019F	2
65	Screw M6 x 16mm hex flg			A132W5003F	3
66	Heat Protective Wrap 180mm, fuse box cables	Battery tray area, Not illustrated	MY12	A120L0061F	1
67	Washer 7/16 x 7/8			B120W4199F	2
		*RH heatshield supplied with manifold			



See 42.01

EVORA

46.01

Updated 16th January 2013

Service Parts List



Function Code 46.01 Engine Cooling System & Fan

<u>Dep</u>	<u>Part Description</u>	<u>Remarks</u>	<u>Option</u>	<u>Part Number</u>	<u>Qty</u>
01	Hose, engine outlet			B132K0002F	1
02	Hose, engine inlet			B132K0003F	1
03	Hose, heater feed engine to re-circ pump			B132K0004F	1
04	Hose, heater feed, re-circ. pump to heater	Also see 18.05		B132K0005F	1
05	Hose, heater return	Also see 18.05		C132K0006F	1
06	Hose, radiator, RH			B132K0042F	1
07	Hose, radiator LH			B132K0041F	1
08	Hose, coolant front			B132K0035F	2
09	Pipe, coolant, engine outlet			B132K0020F	1
10	Pipe, coolant, engine inlet			B132K0021F	1
11	Pipe, coolant front, LH			B132K4003F	1
12	Pipe, coolant front, RH			B132K4004F	1
13	Radiator		B132K0011F R/B	C132K0011F	1
14	Bracket, radiator mounting, lower			B132K0024F	2
15	Bracket, radiator mounting, LH			B132K0025F	1
16	Bracket, radiator mounting, RH			B132K0026F	1
17	Bracket, cooling pack upper & lower			B132K0027F	2
18	Fan Assembly, radiator cooling		B132K0012F R/B	C132K0012F	1



Function Code 46.01 Engine Cooling System & Fan

<u>Dep</u>	<u>Part Description</u>	<u>Remarks</u>	<u>Option</u>	<u>Part Number</u>	<u>Qty</u>
19	Bush, radiator mounting			A132K6002F	4
20	Tank Assembly, reserve, radiator pressure system			A132E6312S	1
21	Bracket Assembly, header tank, right			B132K0031F	1
22	Bracket Assembly, header tank left			C132K0008F	1
23	Recirculation Pump			B117K0013F	1
24	Support Foam, sill pipes vertical, front, LH	Includes hole for oil cooler pipe	B132A0241F R/B	C132A0241F	1
24a	Support Foam, sill pipes vertical, front, LH		MY12	A132A0455F	1
25	Support Foam, sill pipes horizontal, front, LH	Includes hole for oil cooler pipe	B132A0247F R/B	C132A0247F	1
25a	Support Foam, sill pipes horizontal, front, LH		MY12	A132A0452F	1
26	Support Foam, sill pipes horizontal, centre, LH	Includes hole for oil cooler pipe	B132A0123F R/B	C132A0123F	1
26a	Support Foam, sill pipes horizontal, centre, LH		MY12	A132A0454F	1
27	Support Foam, sill pipes horizontal, rear, LH	Includes hole for oil cooler pipe	B132A0125F R/B	C132A0125F	1
27a	Support Foam, sill pipes horizontal, rear, LH		MY12	A132A0453F	1
28	Support Foam, sill pipes vertical, rear, LH			B132A0249F	1
28a	Support Foam, sill pipes vertical, rear, LH		MY12	A132A0456F	1
29	Support Foam, sill pipes vertical, front, RH	Includes hole for oil cooler pipe	B132A0248F R/B	C132A0248F	1
29a	Support Foam, sill pipes vertical, front, RH		MY12	A132A0460F	1
30	Support Foam, sill pipes horizontal, front, RH	Includes hole for oil cooler pipe	B132A0124F R/B	C132A0124F	1
30a	Support Foam, sill pipes horizontal, front, RH		MY12	A132A0457F	1
31	Support Foam, sill pipes horizontal, centre, RH	Includes hole for oil cooler pipe	B132A0242F R/B	C132A0242F	1
31a	Support Foam, sill pipes horizontal, centre, RH		MY12	A132A0459F	1



Function Code 46.01 Engine Cooling System & Fan

<u>Dep</u>	<u>Part Description</u>	<u>Remarks</u>	<u>Option</u>	<u>Part Number</u>	<u>Qty</u>
32	Support Foam, sill pipes horizontal, rear, RH	Includes hole for oil cooler pipe	B132A0126F R/B	C132A0126F	1
32a	Support Foam, sill pipes horizontal, rear, RH		MY12	A132A0458F	1
33	Support Foam, sill pipes vertical, rear, RH	Includes hole for oil cooler pipe	B132A0250F R/B	C132A0250F	1
33a	Support Foam, sill pipes vertical, rear, RH		MY12	A132A0461F	1
34	Clamp, support foam vertical, front			B132A0254F	2
35	Clamp, support foam horizontal, front			B132A0251F	2
36	Clamp, support foam horizontal, centre			B132A0252F	2
37	Clamp, support foam horizontal, rear			B132A0253F	2
38	Clamp, support foam vertical, rear			B132A0255F	2
38a	Clamp, support foam vertical, rear LH, with lug	Cars with oil coolers, All models from MY12		A132A0450F	1
39	Duct, radiator intake, upper			C132U0032F	1
40	Duct, radiator intake, lower		D132U0112F R/B	G132U0112F	1
40a	Edge Clip, duct upper to duct lower	Not illustrated		A111W6568F	8
41	Duct, radiator outlet			B132U0037F	1
42	Duct, radiator outlet, upper, RH			C132U4350F	1
43	Duct, radiator outlet, upper, LH			C132U4349F	1
44	Foam, radiator sealing, lower			A132K0047F	1
45	Plastic Fastener, duct retention			A100W6481F	9
46	Screw, M6 x 16, hex. flg. hd., header tank to bracket			A918W5208F	1
47	Cap, header tank 108kPa			A120E6341S	1



Function Code 46.01 Engine Cooling System & Fan

<u>Dep</u>	<u>Part Description</u>	<u>Remarks</u>	<u>Option</u>	<u>Part Number</u>	<u>Qty</u>
48	Water Outlet			A132E6257S	1
49	Gasket, water outlet to cylinder head			A132E6259S	2
50	Nut, flange, water outlet to head	For stud see 40.05		A132E6473S	4
51	Bolt, hex.flg. hd., water outlet to head			A132E6467S	2
52	Hose, water by-pass No.2, outlet to throttle body			A132E6311S	1
53	Hose, water by-pass No.3, throttle body to water inlet pipe			A132E6268S	1
54	Hose, water by-pass No.1, water outlet to water inlet			A132E6267S	1
55	Pipe Assembly, water inlet			A132E6269S	1
56	Hose Clip, water by-pass No. 2 & No. 3			A132E6271S	4
57	Hose Clip, water by-pass No. 1			A132E6270S	2
58	'O' Ring, water inlet pipe to water inlet housing			A132E6273S	1
59	'O' Ring, water outlet housing to by-pass pipe			A132E6272S	1
60	Bolt, hex.flg. hd., water inlet pipe retention			A132E6471S	2
61	Grommet, ambient temp sensor			A075U6043Z	1
62	Foam Cowling			B132B0075F	2
63	Foam Cowling Support			B132B0074F	1
64	Bolt M6 x 14 hex flg, bracket cooling pack			A116W5233F	4
65	Nut Nyloc M6, bracket cooling pack			A132W3016F	6
66	Seal Rad End Foam			B132B0073F	2
67	Clip Swivel 16mm, header tank overflow pipe			A082W6587F	1
68	Clip Swivel 10mm, vaccum pipe			A089W6296F	1



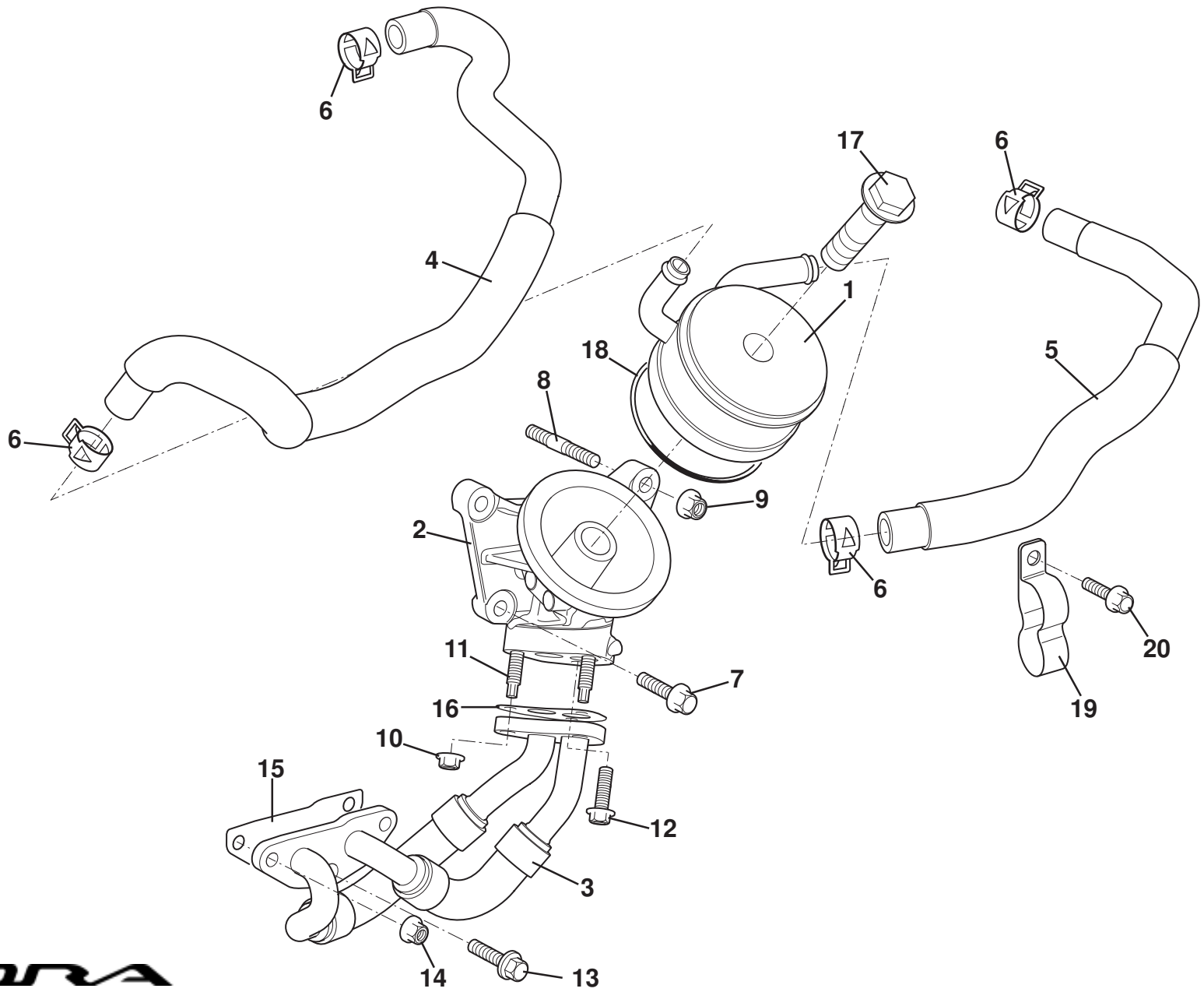
Function Code 46.01 Engine Cooling System & Fan

<u>Dep</u>	<u>Part Description</u>	<u>Remarks</u>	<u>Option</u>	<u>Part Number</u>	<u>Qty</u>
69	Self Adhesive Foam, 1metre, duct radiator	2 metres required per side		A100B0431V	4m
70	Support Foam, sill pipes 'A' pillar lwr LH			C132A4127F	1
70a	Support Foam, sill pipes 'A' pillar lwr LH		MY12	A132A0462F	1
71	Support Foam, sill pipes 'A' pillar lwr RH			C132A4128F	1
71a	Support Foam, sill pipes 'A' pillar lwr RH		MY12	B132A0463F	1
72	Clamp, support foam 'A' pillar lwr			B132A0280F	2
73	Button Firtree			A132W6006F	2
74	Screw M5 x 12 hex flg			A132W5002F	2
75	Screw M4 x 16			B082W5141F	2
76	Washer M4 x 19 x 1.5 s/s blk			B082W4107F	2
77	'P' Clip			A132W6008F	5
78	Screw M6 x 16 hex flg			A132W5003F	4
78a	Screw M6 x 20 skt btn			A132W5044F	1
78b	Nut M6 hex flg			A132W3004F	1
79	Bracket Assembly, pipe mounting			A132K0049F	1
80	Bracket Assembly, pipe hose mounting			A132K0146F	1
81	Clamp Hose, 44mm			A116K6014F	12
82	Blanking Cap			A132E0080F	2
83	Clip			A132E6091H	2
84	Hose Clamp, 17.7mm,			A120W6739F	2
85	Hose Clamp, 26mm			A120W6776F	3



Function Code 46.01 Engine Cooling System & Fan

<u>Dep</u>	<u>Part Description</u>	<u>Remarks</u>	<u>Option</u>	<u>Part Number</u>	<u>Qty</u>
86	Hose Clamp, 27mm			A116K6016F	3



EVORA
46.03

2009/02

Service Parts List

EVORA

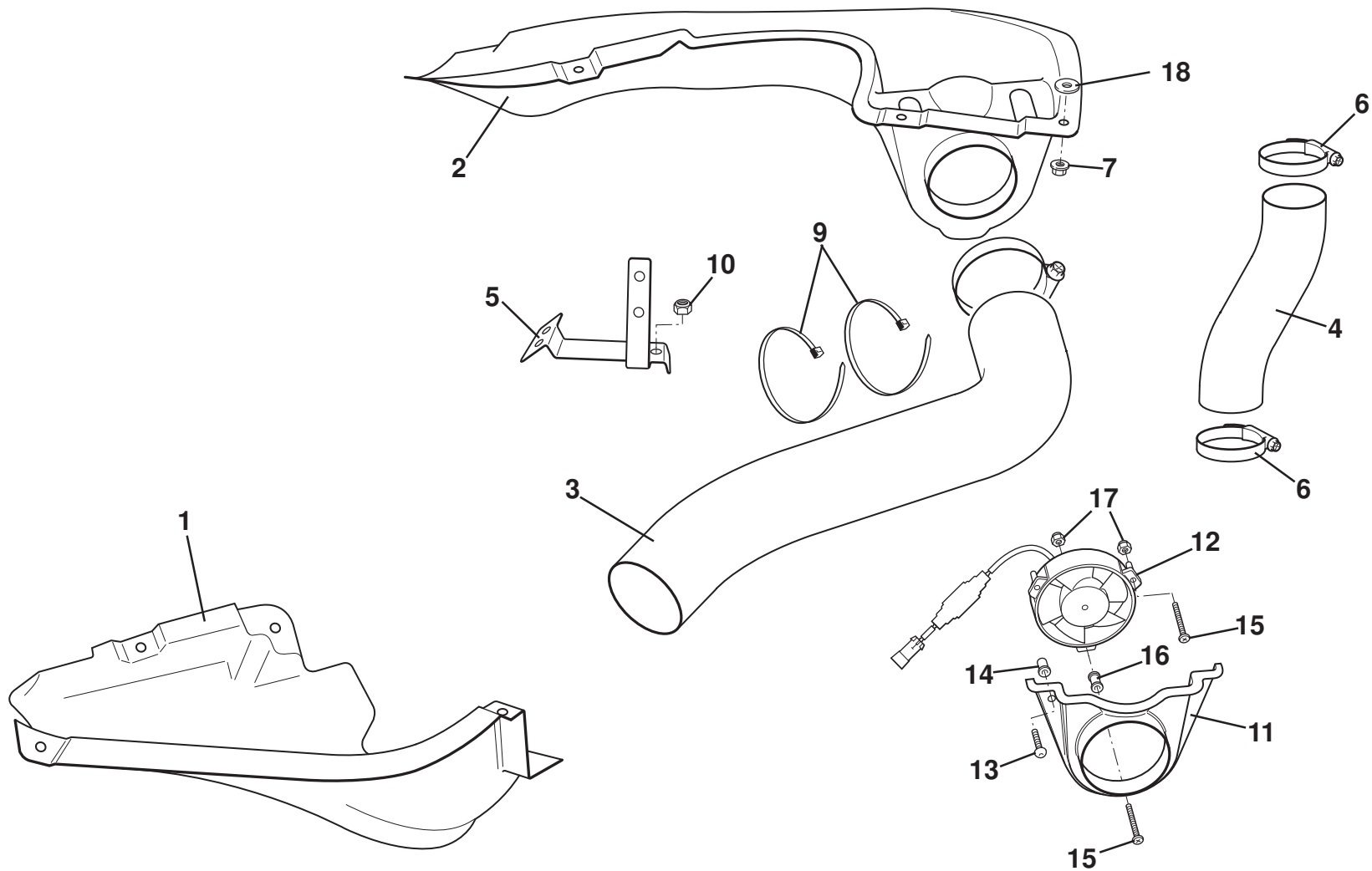


Function Code 46.03 Oil Cooler/Heat Exchanger & Pipes

<u>Dep</u>	<u>Part Description</u>	<u>Remarks</u>	<u>Option</u>	<u>Part Number</u>	<u>Qty</u>
01	Heat Exchanger, oil cooling			A132E6076H	1
02	Housing. heat exchanger			A132E6086H	1
03	Hose Assembly, oil feed and return			A132E6085H	1
04	Hose, coolant feed			A132E6510S	1
05	Hose, coolant return			A132E6511S	1
06	Hose Clip, hose retention			A132E6091H	4
07	Screw, hex. flg. hd., housing to block			A132E6081H	2
08	Stud, housing to block			A132E6082H	1
09	Nut, flange., housing to block			A132E6474S	1
10	Nut, flange, hose assembly to housing			A132E6474S	3
11	Stud, hose assembly to housing			A132E6116S	2
12	Bolt M8 x 25, hex. flg. hd., hose assembly to housing			A132W5006F	1
13	Bolt M8 x 25, hex. flg. hd., hose assembly to sump		A132E6512S R/B	A132W5006F	1
14	Nut, flange, hose assembly to sump			A132E6474S	2
15	Gasket, hose assembly to sump			A132E0060S	1
16	Gasket, hose assembly to housing			A132E6087H	1
17	Bolt, hex. flg. hd., exchanger to housing			A132E6425S	1
18	'O' Ring, exchanger to housing			A132E6088H	1

Function Code 46.03 Oil Cooler/Heat Exchanger & Pipes

<u>Dep</u>	<u>Part Description</u>	<u>Remarks</u>	<u>Option</u>	<u>Part Number</u>	<u>Qty</u>
19	Clamp, coolant hose			A132E6092H	1
20	Screw, hex. flg.hd., clamp fxing			A132E6471S	1

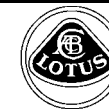


EVORA
46.05

Updated 21st September 2010

Service Parts List

EVORA

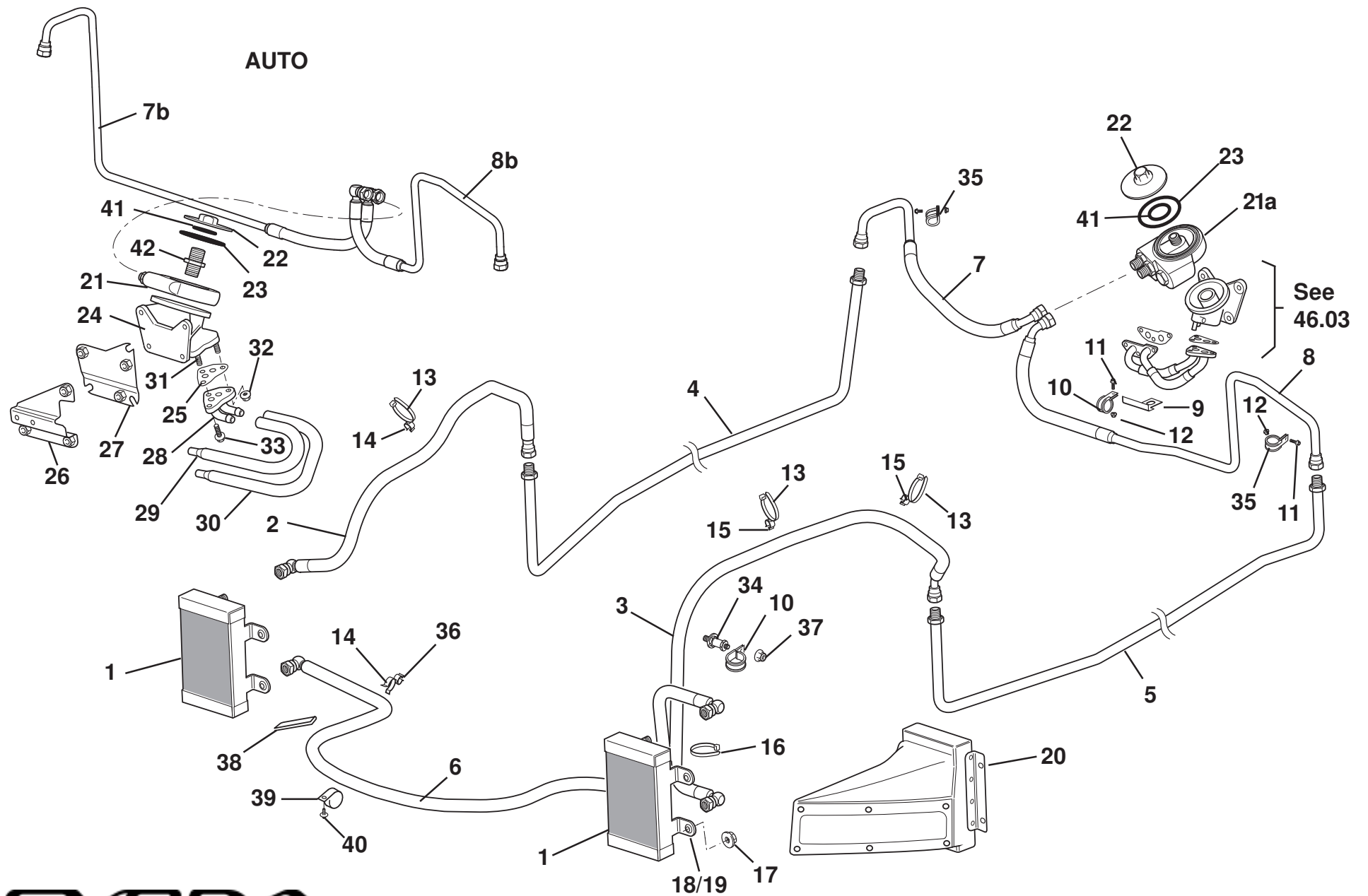


Function Code 46.05 Engine Bay Cooling, Ducts & Trunking

<u>Dep</u>	<u>Part Description</u>	<u>Remarks</u>	<u>Option</u>	<u>Part Number</u>	<u>Qty</u>
01	Duct, side intake, LH			B132U4091F	1
02	Duct, side intake, RH			B132U4092F	1
02a	Duct, side intake, with fan, RH		Hot territories only	A132U0497F	1
03	Hose, engine bay cooling			A132E0031F	1
04	Duct, flexible, subrame vent to exit grille, RH			B132S0038F	1
05	Bracket, hose supporting			A132E0032F	1
06	Hose Clip, 50-70mm, duct retention			A132W6027F	2
07	Nyloc Nut, M5, flange, ducts to clamshell			A132W3000F	10
08	Hose Clip, 90-110mm, hose to duct RH			A127W6888F	1
09	Cable Tie, hose to bracket			A075W6038Z	2
10	Nyloc Nut, M6, bracket fixing			A075W3009F	2
11	Cowl, engine bay fan	Used with item 2a	Hot territories only	A132U0498F	1
12	Fan, engine bay cooling	Used with item 2a	Hot territories only	A132K0054F	1
13	Screw, M5 x 16, button hd. black, cowling to duct			A111W7156F	2
14	Rawlnut, M5, cowl to duct			A075W6074F	2
15	Screw, M4 x 35, pan pozi, fan & cowl to duct	Thro' cowl + fan in lower position		A132W5031F	3
16	Spacer Bush, nylon, fan to duct	In lower position		A132W6050F	1
17	Nyloc Nut, M4, fan & cowl to duct			A075W3049F	3

Function Code 46.05 Engine Bay Cooling, Ducts & Trunking

<u>Dep</u>	<u>Part Description</u>	<u>Remarks</u>	<u>Option</u>	<u>Part Number</u>	<u>Qty</u>
18	Washer, neoprene 25mm 8mm		From vin 10830	A111U6055F	6



EVORA
46.06

Updated 21st November 2012

Service Parts List



Function Code 46.06 Twin Oil Cooler System Engine / Transmission

<u>Dep</u>	<u>Part Description</u>	<u>Remarks</u>	<u>Option</u>	<u>Part Number</u>	<u>Qty</u>
01	Oil Cooler		Up to 11MY* S/Charged man, Auto	B132K0071F	2
02	Hose Assembly, cooler return		Up to 11MY*	D132K0101F	1
03	Hose Assembly, cooler feed		Up to 11MY*	D132K0095F	1
04	Pipe Assembly, side return		Up to 11MY*	B132K0093F	1
05	Pipe Assembly, side feed		Up to 11MY*	B132K0090F	1
06	Hose Assembly, cooler transfer		Up to 11MY*	D132K0099F	1
07	Hose Assembly, oilstat to side return		Up to 11MY* S/Charged man	C132K0123F	1
07a	Hose Assembly, oilstat to side return	Evora S BH_11383 to BH_11702*	Up to 11MY* S/Charged man	A132K0142S	1
07b	Hose Assembly, oilstat to side return		Up to 11MY* Auto NA	A132F0155F	1
08	Hose Assembly, oilstat to side feed		Up to 11MY* S/Charged man	C132K0122F	1
08a	Hose Assembly, oilstat to side feed	Evora S BH_11383 to BH_11702*	Up to 11MY* S/Charged man	A132K0141S	1
08b	Hose Assembly, oilstat to side feed		Up to 11MY* Auto NA	A132F0151F	1
09	Bracket, hose support		Up to 11MY*	B132K0106F	1
10	Pipe Clip			A082W6579F	2
11	Screw, M6 x 16, hex. flg. hd., clip fixing			A132W5003F	3
12	Nut, M6 flange, clip fixing			A132W3004F	4
13	Cable Tie, swivel clip type			A082W6324F	3
14	Swivel Clip, cable tie			A089W6287F	2

Function Code 46.06 Twin Oil Cooler System Engine / Transmission

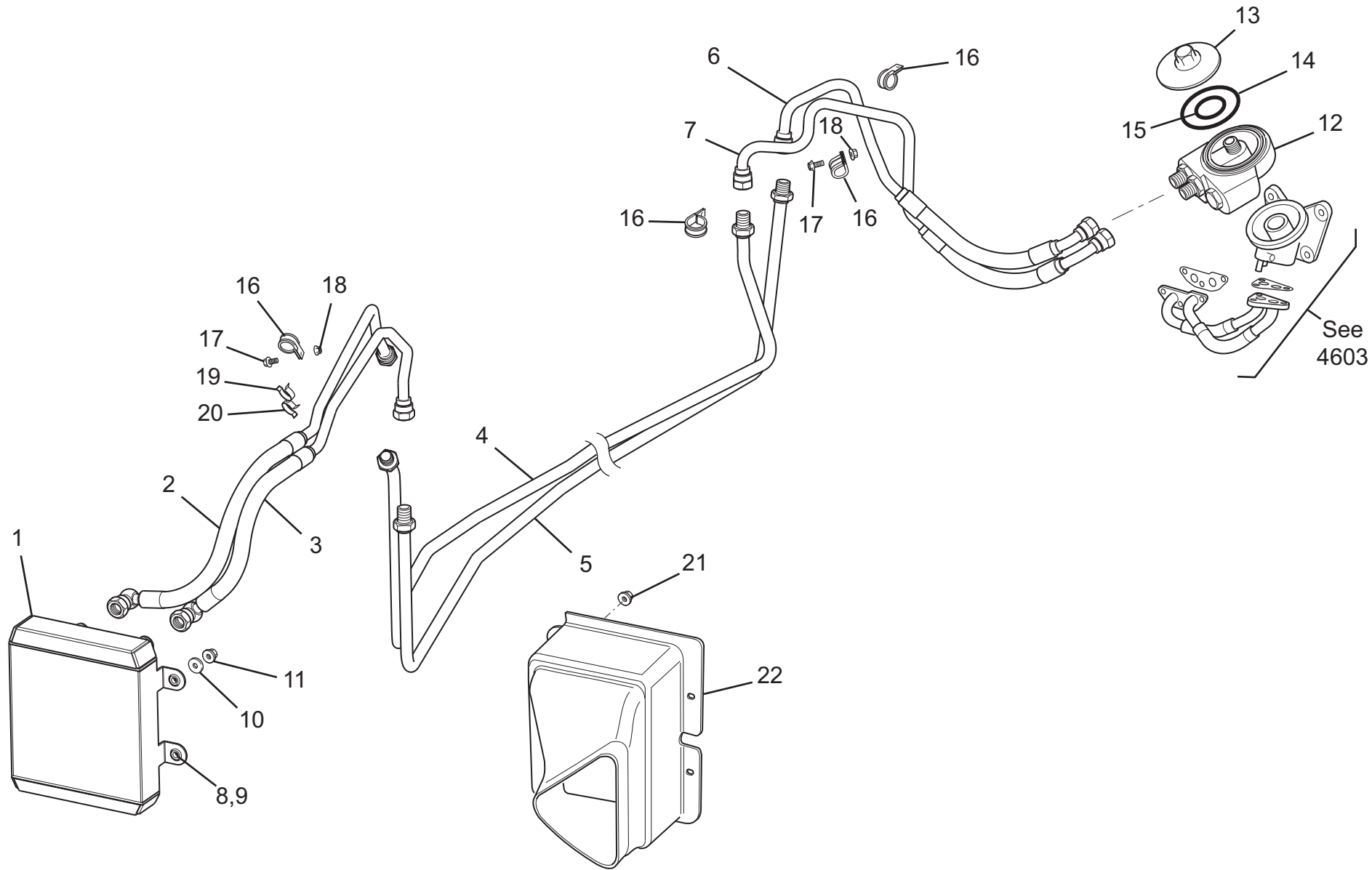
<u>Dep</u>	<u>Part Description</u>	<u>Remarks</u>	<u>Option</u>	<u>Part Number</u>	<u>Qty</u>
15	Swivel Clip, cable tie			A082W6587F	2
16	Cable Tie, hose retention			B075W6045Z	1
17	Nut, M8			A132W3006F	8
18	Sleeve, cooler			A132K6006F	8
19	Bush, cooler			A132K6005F	8
20	Duct, oil cooler, LH		USA vin BH_11174 , all markets vin, BH_11178	A132U4501F	1
20a	Duct, oil cooler, RH		USA vin BH_11174 , all markets vin, BH_11178	A132U4502F	1
21	Sandwich Plate Assembly , with thermostat	Transmission oil coolers	Auto NA	B120K6001F	1
21a	Sandwich Plate Assembly , with thermostat	Engine oil coolers	S/Charged man	A132K6008F	1
22	Cap, sandwich plate			A132E0068F	1
23	'O' Ring, sandwich plate outer			A132E0070F	1
24	Bracket, oil cooler		Up to 11MY*	A132E6086H	1
25	Gasket, oil cooler		Auto NA	A132E6087H	1
26	Bracket Assembly		Auto NA	A132F0120F	1
27	Plate Assembly		Auto NA	A132F0122F	1
28	Adaptor, oil cooler hoses		Auto NA	A132F0119F	1
29	Hose, auto oil cooler feed		Auto NA	A132F0124F	1
30	Hose, auto oil cooler return		Auto NA	A132F0125F	1
31	Stud, bracket assembly		Auto NA	A132E6116S	2

Function Code 46.06 Twin Oil Cooler System Engine / Transmission

<u>Dep</u>	<u>Part Description</u>	<u>Remarks</u>	<u>Option</u>	<u>Part Number</u>	<u>Qty</u>
32	Nut, flange, bracket assembly		Auto NA	A132E6474S	2
33	Bolt M8 x 25, hex. flg. hd., hose assembly		Auto NA	A132W5013F	1
34	Bobbin			A132P6004F	1
35	Pipe Clip			A111W6666F	2
36	Cable Tie, swivel clip type			A082W6296F	1
37	Nut M6, hex flg			A132W3004F	1
38	Rubber Edge Finisher	Fitted to lower edge bumper brackets		A117B6010V	2
39	'P' Clip open, transfer hose, intake			A075W6230F	3
40	'R' Lok expansion Rivet			A132W6070F	3
41	'O' Ring, sandwich plate inner			A132E0071F	1
42	Tube, threaded		Auto NA	A132E0069F	1

Please refer to Service Bulletin
2011/06

*for 12MY on see relevant
section for seperate engine or
transmission coolers



EVORA
46.07

Updated 12th September 2011

Service Parts List



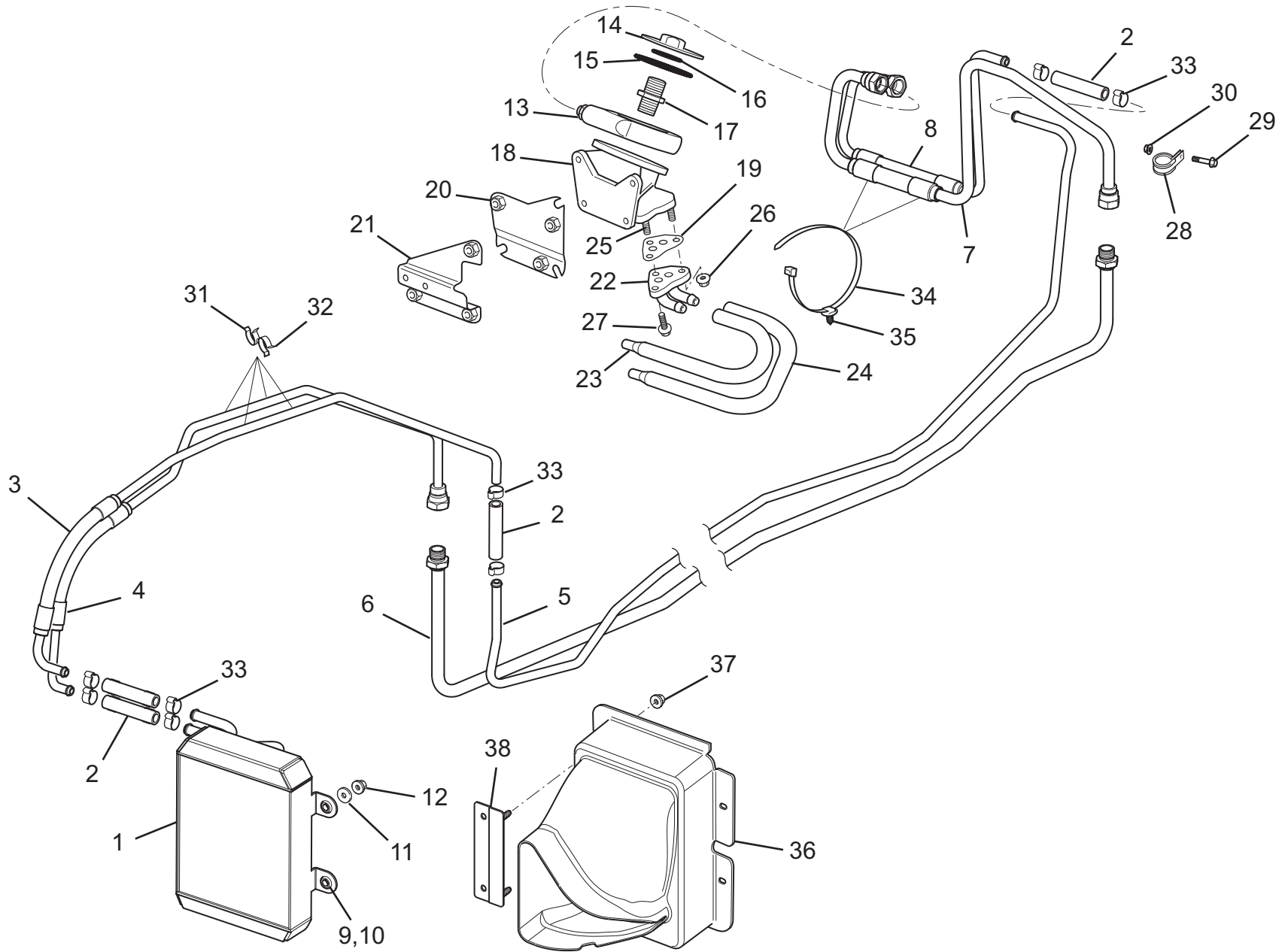
Function Code 46.07 Single Oil Cooler System Engine

<u>Dep</u>	<u>Part Description</u>	<u>Remarks</u>	<u>Option</u>	<u>Part Number</u>	<u>Qty</u>
01	Oil Cooler Assembly, engine		MY12 S/Charged (man & auto)	A132K0124F	1
02	Hose Assembly, engine cooler ,oil feed		MY12 S/Charged (man & auto)	A132K0128F	1
03	Hose Assembly, engine cooler, oil return		MY12 S/Charged (man & auto)	A132K0144F	1
04	Side Pipe Assembly, oil feed		MY12 S/Charged (man & auto)	A132K0126F	1
05	Side Pipe Assembly, oil return		MY12 S/Charged (man & auto)	B132K0093F	1
06	Hose Assembly, oilstat to side pipe, oil feed		MY12 S/Charged (man & auto)	A132K0135F	1
07	Hose Assembly, oilstat to side pipe, oil return		MY12 S/Charged (man & auto)	A132K0148F	1
08	Bush Mounting, oil cooler mounting			A132K6005F	4
09	Sleeve, compression limit, cooler mounting			A132K6006F	4
10	Washer Flat M8 x 20.5 x 1.4			A082W4165F	4
11	Nut M8 hex			A075W3021F	4
12	Sandwich Plate Assemby , with thermostat		MY12 S/Charged (man & auto)	A132K6008F	1
13	Cap, sandwich plate			A132E0068F	1
14	'O' Ring, sandwich plate outer			A132E0070F	1
15	'O' Ring, sandwich plate inner			A132E0071F	1
16	'P' Clip			A111W6666F	4
17	Screw M6 x 16 hex flg			A132W5003F	2
18	Nut M6 hex flg			A117W3180F	2



Function Code 46.07 Single Oil Cooler System Engine

<u>Dep</u>	<u>Part Description</u>	<u>Remarks</u>	<u>Option</u>	<u>Part Number</u>	<u>Qty</u>
19	Clip Swivel			A082W6587F	1
20	Clip Swivel 16mm			A132W6091F	1
21	Duct Side Radiator RH			A132U0844F	1
22	Nut M8 hex flg, duct to bracket			A132W3006F	1



EVORA
46.08

Updated 12th September 2011

Service Parts List



Function Code 46.08 Single Oil Cooler System Transmission

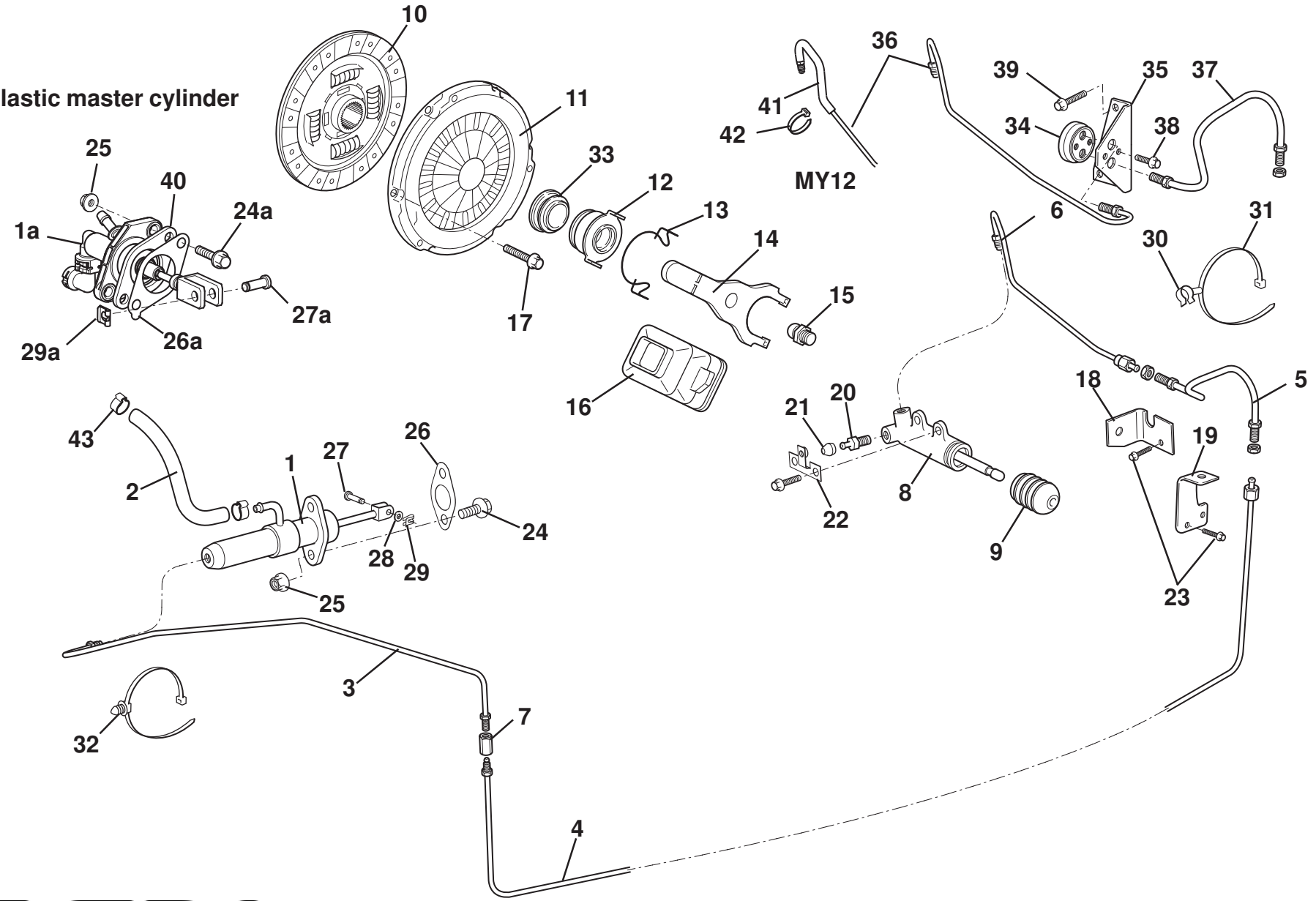
<u>Dep</u>	<u>Part Description</u>	<u>Remarks</u>	<u>Option</u>	<u>Part Number</u>	<u>Qty</u>
01	Oil Cooler Assembly, transmission		MY12 Auto (NA & S/Charged)	A132F0148F	1
02	Hose Link, oil cooler		MY12 Auto (NA & S/Charged)	B132F0186F	4
03	Hose Assembly, transmission oil cooler, feed		MY12 Auto (NA & S/Charged)	B132F0161F	1
04	Hose Assembly, transmission oil cooler, return		MY12 Auto (NA & S/Charged)	B132F0162F	1
05	Pipe Transmission Cooler, oil feed		MY12 Auto (NA & S/Charged)	A132F0159F	1
06	Side Pipe Assembly, oil feed		MY12 Auto (NA & S/Charged)	B132K0090F	1
07	Hose Assembly, oilstat to side pipe, oil feed		MY12 Auto (NA & S/Charged)	A132F0211F	1
08	Hose Assembly Rear, oil return		MY12 Auto (NA & S/Charged)	B132F0181F	1
09	Bush Mounting, oil cooler mounting			A132K6005F	4
10	Sleeve, compression limit, cooler mounting			A132K6006F	4
11	Washer Flat M8 x 20.5 x 1.4			A082W4165F	4
12	Nut M8 hex			A075W3021F	4
13	Sandwich Plate Assemby , with thermostat		MY12 Auto (NA & S/Charged)	B120K6001F	1
14	Cap, sandwich plate			A132E0068F	1
15	'O' Ring, sandwich plate outer			A132E0070F	1
16	'O' Ring, sandwich plate inner			A132E0071F	1
17	Tube, threaded			A132E0069F	1
18	Bracket, oil cooler		MY12 Auto (NA & S/Charged)	A132E6086H	1



Function Code 46.08 Single Oil Cooler System Transmission

<u>Dep</u>	<u>Part Description</u>	<u>Remarks</u>	<u>Option</u>	<u>Part Number</u>	<u>Qty</u>
19	Gasket, oil cooler			A132E6087H	1
20	Bracket Assembly			A132F0120F	1
21	Plate Assembly		MY12 Auto (NA & S/Charged)	A132F0122F	1
22	Adaptor, oil cooler hoses		MY12 Auto (NA & S/Charged)	A132F0119F	1
23	Hose, auto oil cooler feed		MY12 Auto (NA & S/Charged)	A132F0124F	1
24	Hose, auto oil cooler return		MY12 Auto (NA & S/Charged)	A132F0125F	1
25	Stud, bracket assembly			A132E6116S	2
26	Nut, flange, bracket assembly			A132E6474S	2
27	Bolt M8 x 25, hex. flg. hd., hose assembly			A132W5013F	1
28	'P' Clip			A111W6666F	1
29	Screw M6 x 16 hex flg			A132W5003F	1
30	Nut M6 hex flg			A117W3180F	1
31	Clip Pipe			A132W6047F	4
32	Clip Swivel 16mm			A132W6091F	4
33	Mubea Clip 19mm			A120W6894F	8
34	Firtree Cable Tie Block			A132W6060F	2
35	Tie Wrap			A075W6038F	2
36	Duct Side Radiator LH		MY12 Auto (NA & S/Charged)	A132U0843F	1
37	Bracket Assembly, duct mounting		MY12 Auto (NA & S/Charged)	A132U0849F	1
38	Nut M8 hex flg, duct to bracket			A132W3006F	6

Plastic master cylinder



EVORA
47.01

Updated 27th September 2012

Service Parts List

EVORA



Function Code 47.01 Clutch & Release Mechanism

<u>Dep</u>	<u>Part Description</u>	<u>Remarks</u>	<u>Option</u>	<u>Part Number</u>	<u>Qty</u>
01	Master Cylinder, clutch	Metal	*Up to VIN (see below)	B132J6009F	1
01a	Master Cylinder, clutch	Black plastic	*From VIN (see blow)	A132Q6017S	1
02	Hose, reservoir to master cylinder, LHD	For reservoir, see 33.03	B132Q0009F R/B	A132J0141V	480mm
02a	Hose, reservoir to master cylinder, RHD	For reservoir, see 33.03	B132Q0008F R/B	A132J0141V	230mm
03	Clutch Pipe Assembly, front, LHD	Use with item 01		B132Q0007F	1
03a	Clutch Pipe Assembly, front, RHD	Use with item 01		B132Q0006F	1
03b	Clutch Pipe Assembly, front, LHD	Use with item 01a. Quick connector to master cylinder.		B132Q0032F	1
03c	Clutch Pipe Assembly, front, RHD	Use with item 01a. Quick connector to master cylinder		B132Q0033F	1
04	Clutch Pipe Assembly, side			B132Q0003F	1
05	Clutch Hose Assembly, side to rear			B132Q0005F	1
06	Clutch Pipe Assembly, rear			B132Q0004F	1
07	Connector Tube			A116J6032F	1
08	Slave Cylinder, clutch			A132Q6010S	1
09	Boot, slave cylinder			A120Q6013S	1
10	Clutch Driven Plate			B132F0015F	1
10a	Clutch Driven Plate		S/Charger man	A132F0139F	1
11	Clutch Cover			A132F0016F	1

Function Code: 47.01, Page: 1

Updated 27th february 2013

Function Code 47.01 Clutch & Release Mechanism

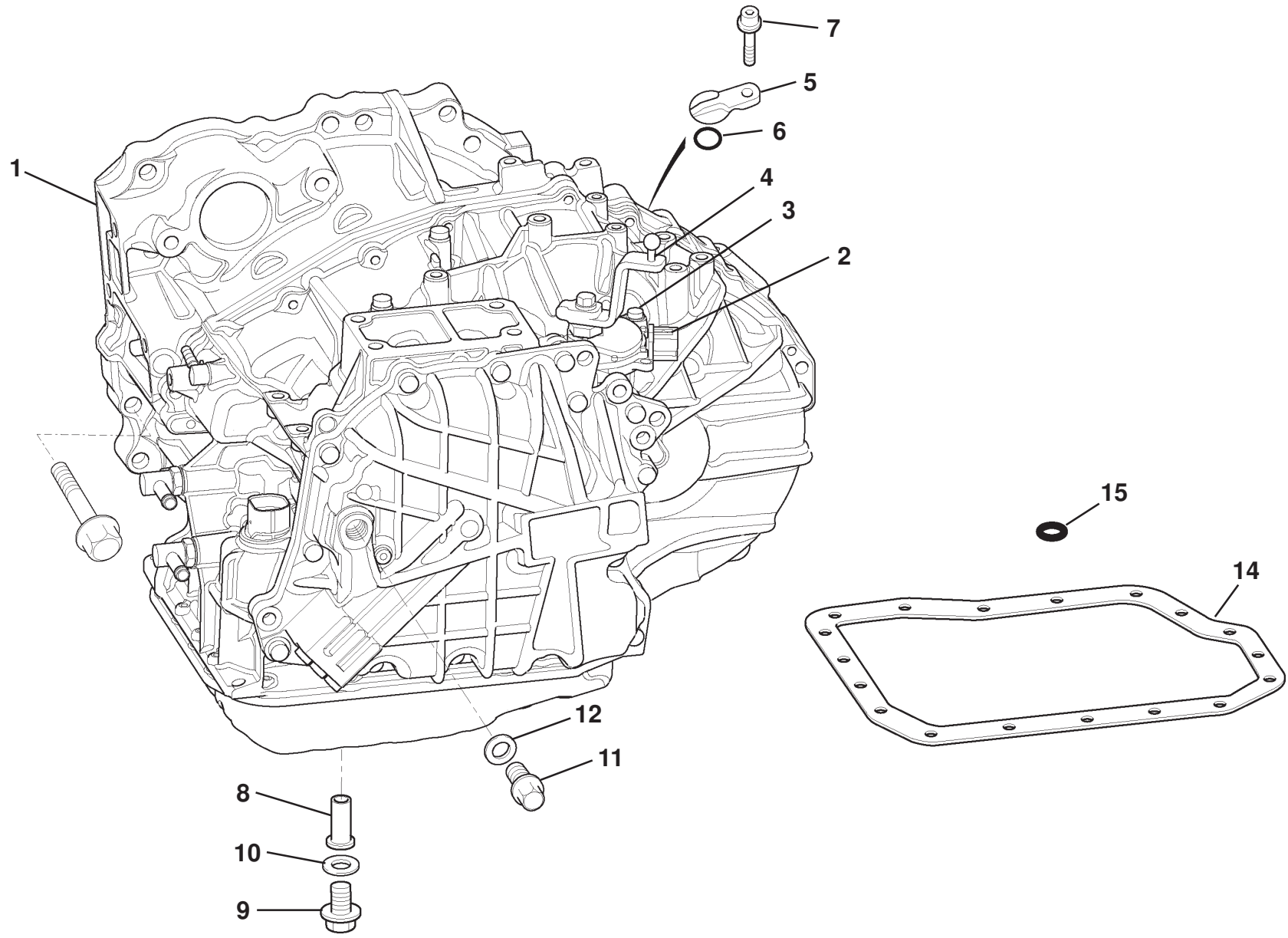
<u>Dep</u>	<u>Part Description</u>	<u>Remarks</u>	<u>Option</u>	<u>Part Number</u>	<u>Qty</u>
11a	Clutch Cover		S/Charger man	A132F0116F	1
12	Clutch Release Bearing			A132Q6007S	1
13	Clip, clutch release bearing			A132Q6008S	1
14	Clutch Release Fork			A132Q6006S	1
15	Support Pivot, clutch release fork			A132Q6009S	1
16	Boot, clutch release fork			A132Q6005S	1
17	Bolt, clutch cover to flywheel			A120Q6002S	6
18	Bracket, clutch hose to transmission			B132Q0011F	1
19	Bracket, clutch hose to chassis			B132Q0010F	1
20	Bleed Plug, slave cylinder			A120Q6015S	1
21	Cap, bleed plug			A120Q6014S	1
22	Bracket, slave cylinder			A120Q6016S	1
23	Bolt, M6 x 16, hex. flg. hd., brackets retention			A918W5208F	3
24	Screw, M8 x 26, hex. flg. hd., master cylinder retaining	Metal master cylinder	*Up to VIN (see below)	A132J6026H	2
24a	Screw, M8 x 30, hex. flg. hd., master cylinder retaining	Plastic master cylinder To be confirmed	*From VIN (see blow)		2
25	Nut, M8, flg., master cylinder retaining			A132J6024H	2
26	Gasket, master cylinder	Metal master cylinder	*Up to VIN (see below)	B132J0071F	1
26a	Gasket, master cylinder	Plastic master cylinder	*From VIN (see blow)	A132Q6018S	1
27	Clevis Pin, master cylinder to pedal	Metal master cylinder	*Up to VIN (see below)	A132J6012F	1

Function Code 47.01 Clutch & Release Mechanism

<u>Dep</u>	<u>Part Description</u>	<u>Remarks</u>	<u>Option</u>	<u>Part Number</u>	<u>Qty</u>
27a	Clevis Pin, master cylinder to pedal	Plastic master cylinder To be confirmed	*From VIN (see blow)		1
28	Washer, flat, M10, master cylinder to pedal		*From VIN (see blow)	A132J6037F	1
29	Clip, clevis pin retention	Metal master cylinder	*Up to VIN (see below)	A132J6031F	1
29a	Clip, clevis pin retention	Plastic master cylinder To be confirmed	*From VIN (see blow)		
30	Swivel Clip			A082W6325F	1
31	Cable Tie			A082W6324F	1
32	Clip, fir tree, cable tie			A116K6020F	1
33	Adaptor, clutch release bearing			A132F0014F	1
34	Damper, clutch actuation			A132Q0021F	1
35	Bracket, damper mounting			A132Q0024F	1
36	Clutch Pipe Assembly, rear, damper to slave cylinder			A132Q0022F	1
37	Clutch Hose Assembly, side to damper			A132Q0023F	1
38	Bolt, M6 x 12, hex. flg. hd., damper to bracket		A132W5003F R/B	A132W5010F	2
39	Screw, M8 x 20, hex. flg. hd., bracket to chassis			A132W5005F	3
40	Spacer, master cylinder	Plastic master cylinder To be confirmed	*From VIN (see blow)		1
41	Wrap Heat Protective	Refer to SB2011/29	MY12	A120L0061F	1
42	Cable Tie			A132W6095F	1
43	Clip Oetiker			A124W6818F	2

Function Code 47.01 Clutch & Release Mechanism

<u>Dep</u>	<u>Part Description</u>	<u>Remarks</u>	<u>Option</u>	<u>Part Number</u>	<u>Qty</u>
44	Kit, slave cylinder repair	Not illustrated, metal slave cylinder only		A132Q6004S	1
		*From: All Supercharged cars, NA LHD from '11MY serial number BHD11343, NA RHD from '11MY serial number BHC11524, USA/Canada from '11MY serial number BHA11528.			



EVORA
47.02

Updated 27th february 2013

Service Parts List

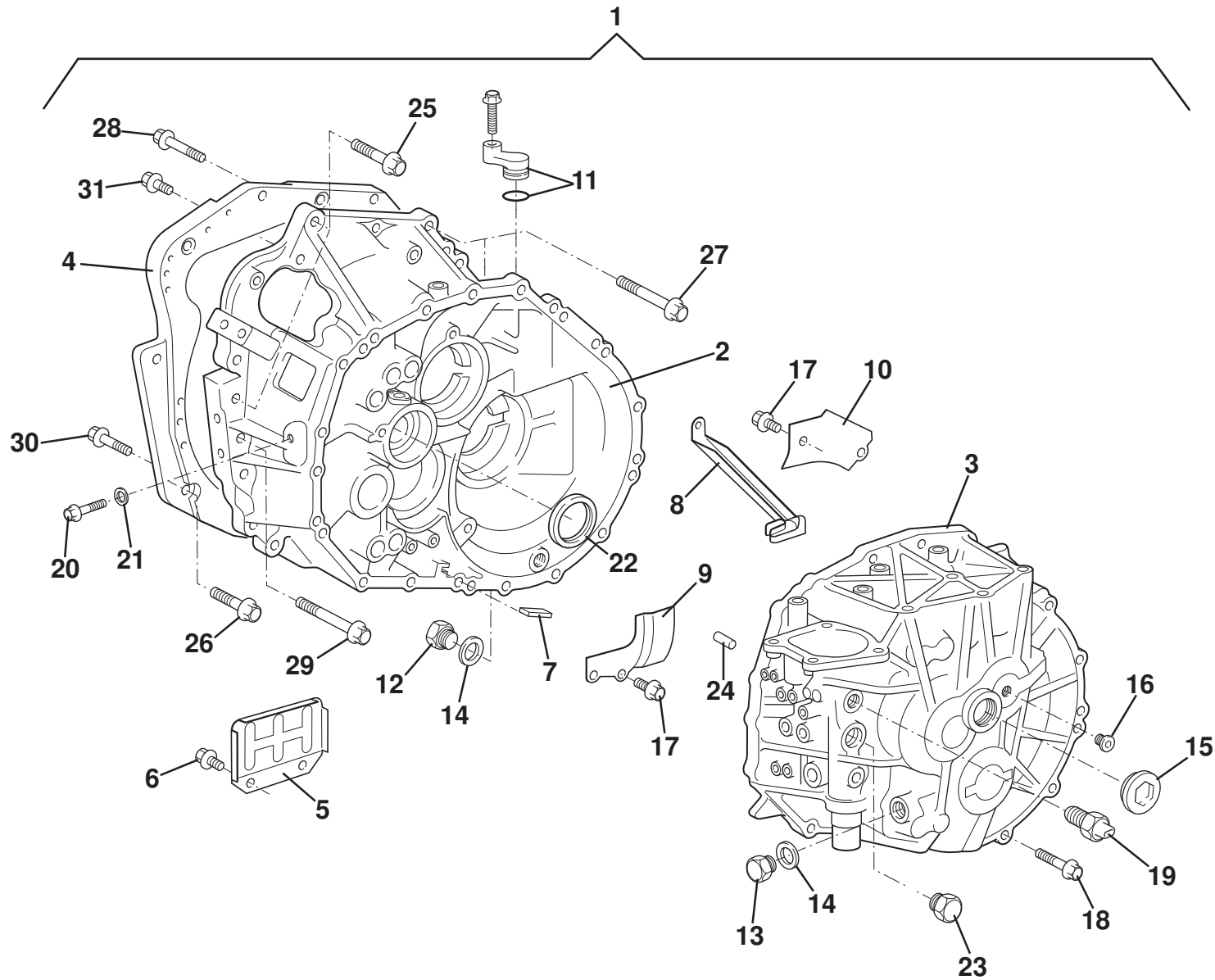
EVORA



Function Code 47.02 Automatic Transmission

<u>Dep</u>	<u>Part Description</u>	<u>Remarks</u>	<u>Option</u>	<u>Part Number</u>	<u>Qty</u>
01	Automatic Transaxle Assembly			A132F6257F	1
02	Switch Assembly,neutral			A132F0194S	1
03	Bolt, neutral, switch			A132F6299S	1
04	Assembly Lever Shift			A132F0093J	1
05	Cover, speedo drive hole			A120F6244S	1
06	O Ring, speedo drive			A120F6254S	1
07	Bolt,speedo cover			A132F6304S	1
08	Tube, transmission			A132F6302S	1
09	Plug, transmission tube			A132F6303S	1
10	Gasket, transmission tube			A132F6301S	1
11	Bolt, straight screw			A132F6300S	1
12	Gasket			A120F6043S	1
13	Bolt M10 x 41, transaxle to engine	Not illustrated		A132F6264F	1
13a	Bolt M12 x 55, transaxle to engine	Not illustrated		A132F6265F	6
13b	Bolt M12 x 50, transaxle to engine	Not illustrated		A132F6266F	1
14	Gasket Oil Pan			A132F6317F	1
15	'O' Ring, strainer			A132F6318F	1

EVORA



EVORA
47.03

2010/01

Service Parts List



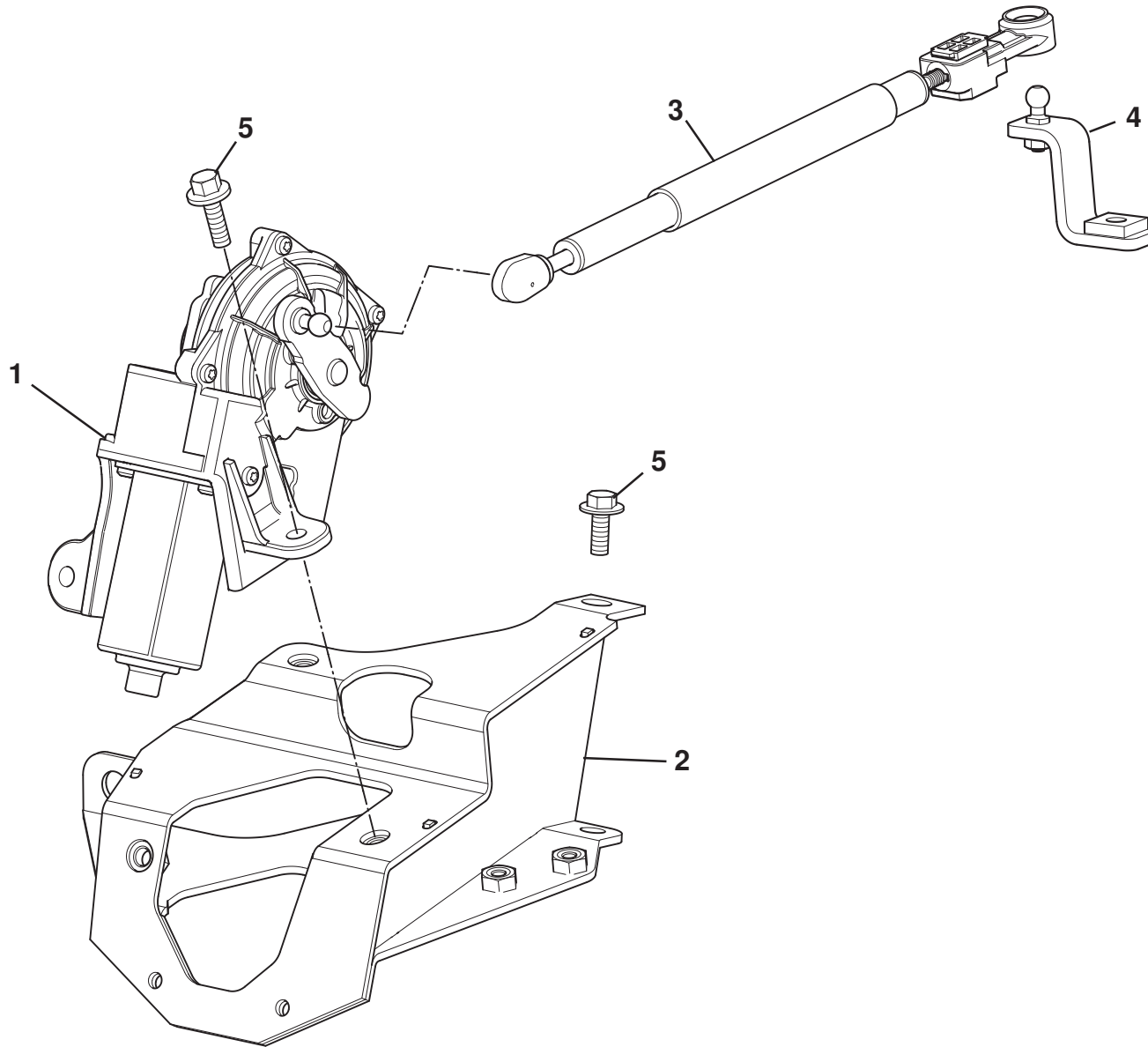
Function Code 47.03 Transmission Assembly

<u>Dep</u>	<u>Part Description</u>	<u>Remarks</u>	<u>Option</u>	<u>Part Number</u>	<u>Qty</u>
01	Transmission Assembly, manual 6 speed EA60	Includes Items 8,9,12,13,14,15,16,20,21 from 47.01	NA prior MY12	A132F0029K	1
01a	Transmission Assembly, manual 6 speed, sports ratios	Includes Items 8,9,12,13,14,15,16,20,21 from 47.01	NA option/std on 'S' Prior vin CH_10452, GB1564	A132F0059K	1
01b	Transmission Assembly, manual 6 speed, sports ratios	Includes Items 8,9,12,13,14,15,16,20,21 from 47.01	Vin CH_10452, GB1564 on	B132F0059K	1
02	Transaxle Casing			A132F6038S	1
03	Transmission Casing			A132F6045S	1
04	Adaptor Plate, engine to transmission			A132F0012F	1
05	Cover, flywheel housing lower			A132E6300S	1
06	Bolt, hex. flg. hd., cover fixing			A132E6390S	2
07	Magnet, swarf attraction			A132F6098S	1
08	Pipe, oil receiver			A132F6046S	1
09	Separator, transmission oil			A132F6048S	1
10	Separator, transmission oil			A132F6049S	1
11	Cover, speedometer drive hole	Includes 'O' ring		A132E6334S	1
12	Drain Plug			A120F6041S	1
13	Filler Plug			A131F6053S	1



Function Code 47.03 Transmission Assembly

<u>Dep</u>	<u>Part Description</u>	<u>Remarks</u>	<u>Option</u>	<u>Part Number</u>	<u>Qty</u>
14	Washer, plug sealing			A132F6170S	2
15	Plug, transmission casing, large			A132F6148S	1
16	Plug, transmission casing, small			A120F6163S	1
17	Bolt, hex. flg. hd., separators to case			A132F6137S	4
18	Bolt, hex. flg. hd., transmission casing to transaxle casing			A120F6032S	18
19	Switch, reverse lamp			A132F6132S	1
20	Bolt, hex. flg. hd.,			A132F6136S	1
21	Washer, flat			A132F6169S	1
22	Oil Seal, input shaft			A132F6144S	1
23	Plug, transmission casing			A132F6147S	1
24	Dowel, transmission casing to transaxle casing			A120E6196S	1
25	Bolt, M12 x 50, hex. flg. hd., transmission to engine			A132F6020H	2
26	Bolt, M12 x 40, hex. flg. hd., plate to engine			A132F6024H	3
27	Bolt, M12 x 80, hex. flg. hd., transmission to engine			A132F6031H	2
28	Bolt, M10 x 70, hex. flg. hd., engine to transmission			A132E6266S	1
29	Bolt, M12 x 90, hex. flg. hd., transmission to engine			A132E6360S	1
30	Bolt, M10 x 60, hex. flg. hd., engine to transmission			A132E6381S	2
31	Bolt, M10 x 35, hex. flg. hd., engine to transmission			A132E6421S	1
32	Gasket Kit, manual transaxle	Not illustrated		A132F6037S	1



EVORA
47.04

Updated 28th April 2011

Service Parts List

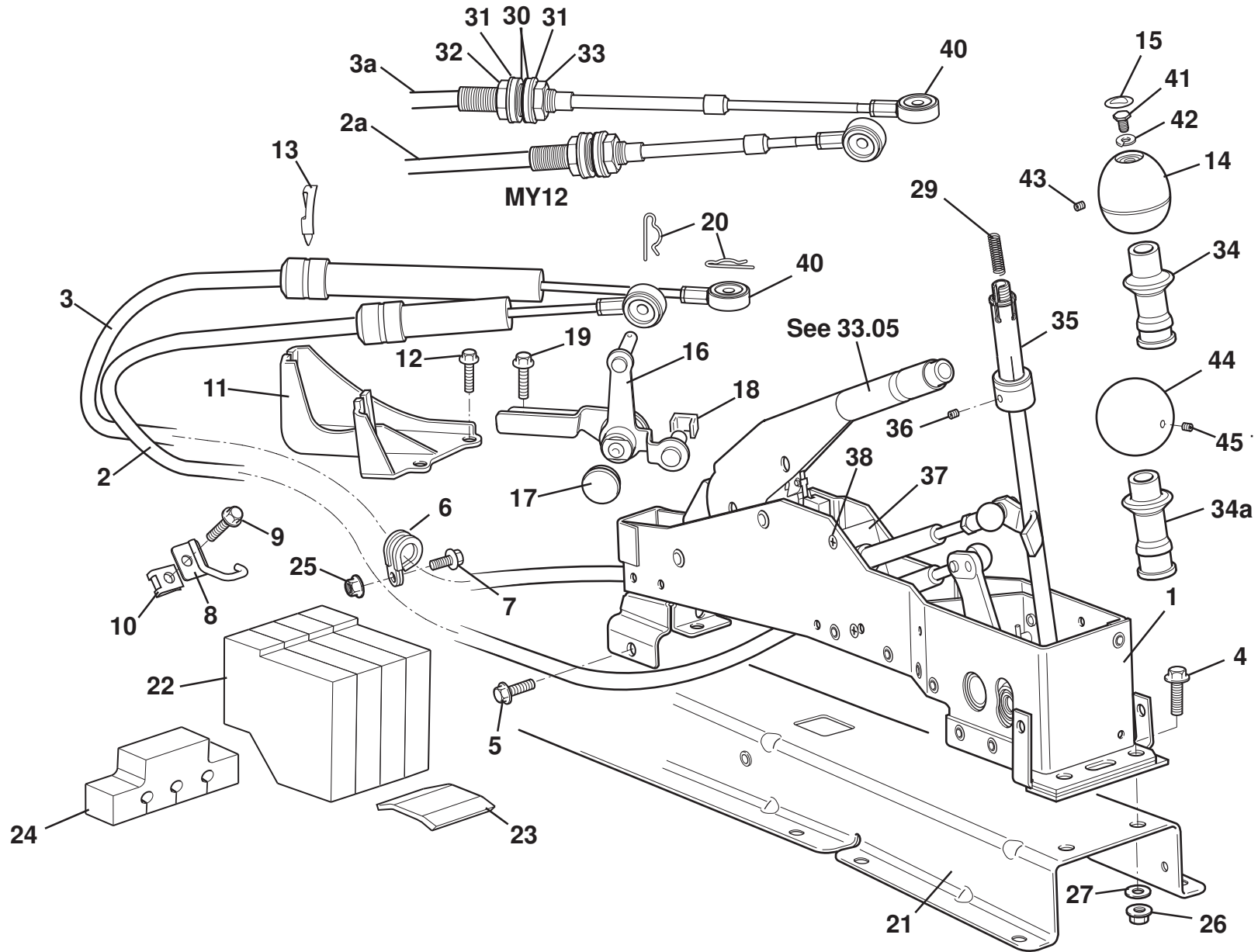
EVORA



Function Code 47.04 Gearchange Mechanism, External Auto

<u>Dep</u>	<u>Part Description</u>	<u>Remarks</u>	<u>Option</u>	<u>Part Number</u>	<u>Qty</u>
01	Shift Actuator		Auto	A132F0096F	1
02	Bracket Assembly, shift actuator		Auto	A132F0091F	1
03	Rod Assembly, shift actuator		Auto	A132F0082K	1
04	Lever Assembly, shift		Auto	A132F0093J	1
05	Screw M8 x 20 hex flg, bracket, actuator fixing		Auto	A132W5005F	5

EVORA



EVORA

47.05

Updated 16th January 2013

Service Parts List

EVORA



Function Code 47.05 Gearchange Mechanism, External

<u>Dep</u>	<u>Part Description</u>	<u>Remarks</u>	<u>Option</u>	<u>Part Number</u>	<u>Qty</u>
01	Gearshift/Parking Brake Assembly, 6 speed	Includes gearchange cables	D132F0004F R/B	E132F0004F	1
01a	Gearshift/Parking Brake Assembly, 6 speed	Supplied without gearchange cables and alloy abutment	MY12	A132F0215L	1
02	Cable, crossgate		A132F0005F R/B	D132F0005F	1
02a	Cable, crossgate	Items 30 to 33 not included	MY12	A132F0216F	1
03	Cable, select		A132F0006F R/B	D132F0006F	1
03a	Cable, select	Items 30 to 33 not included	MY12	A132F0217F	1
04	Screw, M8 x 20, flg. hd., assy. to chassis			A132W5005F	2
05	Screw, M6 x 12, flg. hd., assy. to chassis			A132W5003F	3
06	'P' Clip, cable retention			A075Q6013Z	4
07	Screw, M6 x 12, flg. hd., 'P' clip fixing			A111E6007F	4
08	Guide, cables to subframe			B132F0021F	1
09	Screw, M6 x 16, flg. hd., guide to subframe			A132W5003F	1
10	Spirenut, M6, guide to subframe			A117W6715F	1
11	Abutment, cables to transmission			A132F6103S	1
12	Screw, hex. flg. hd., abutment to transmission			A120F6040S	3
13	Spring Clip, cables to abutment			A082F6577S	2
14	Gearknob Assembly, leather, excluding badge	Black band		A132U0886J	1
14a	Gearknob Assembly, leather, excluding badge	Graphite band		A132U0689S	1

EVORA

Function Code 47.05 Gearchange Mechanism, External

<u>Dep</u>	<u>Part Description</u>	<u>Remarks</u>	<u>Option</u>	<u>Part Number</u>	<u>Qty</u>
14b	Gearknob Assembly, leather, excluding badge	Paprika band		A132U0690S	1
14c	Gearknob Assembly, leather, excluding badge	Oyster		A132U0691S	1
14d	Gearknob Assembly, leather, excluding badge	Coco bolo band		A132U0692S	1
14e	Gearknob Assembly, leather, excluding badge	Chestnut band		A132U0693S	1
14f	Gearknob Assembly, leather, excluding badge	Suedetex band		A132V0838S	1
14g	Gearknob Assembly, leather, excluding badge	MY12 ivory white band		A132V0792S	1
14h	Gearknob Assembly, leather, excluding badge	MY12 venom red band		A132V0793S	1
14i	Gearknob Assembly, leather, excluding badge	MY12 ash grey band		A132V0794S	1
14j	Gearknob Assembly, leather, excluding badge	MY12 cognac brown band		A132V0795S	1
14k	Gearknob Assembly, leather, excluding badge	MY12 cocoa brown band		A132V0796S	1
14l	Gearknob Assembly, leather, excluding badge	MY12 imperial blue band		A132V0797S	1
15	Badge; LOTUS, gear knob, enamel	Recess in gearkob		A132V0178F	1
15b	Badge; LOTUS, gear knob, acrylic	Flush gearknob		LOTAC05276	1
16	Crank Assembly, shift and select			A132F6109S	1
17	Dust Cover, crank pivot			A120F6170S	1
18	Dust Cover, crank to selector			A120F6177S	1
19	Screw, hex. flg. hd., crank assy. to transmission			A132F6254S	2
20	'R' Clip, cables to levers			A075W6175F	2
21	Channel, gearchange assembly mounting	Supplied with chassis		C132A0174H	1
22	Foam Block, gear cable			A132F0037F	1
23	Foam Pad, gear cable			A132F0036F	1

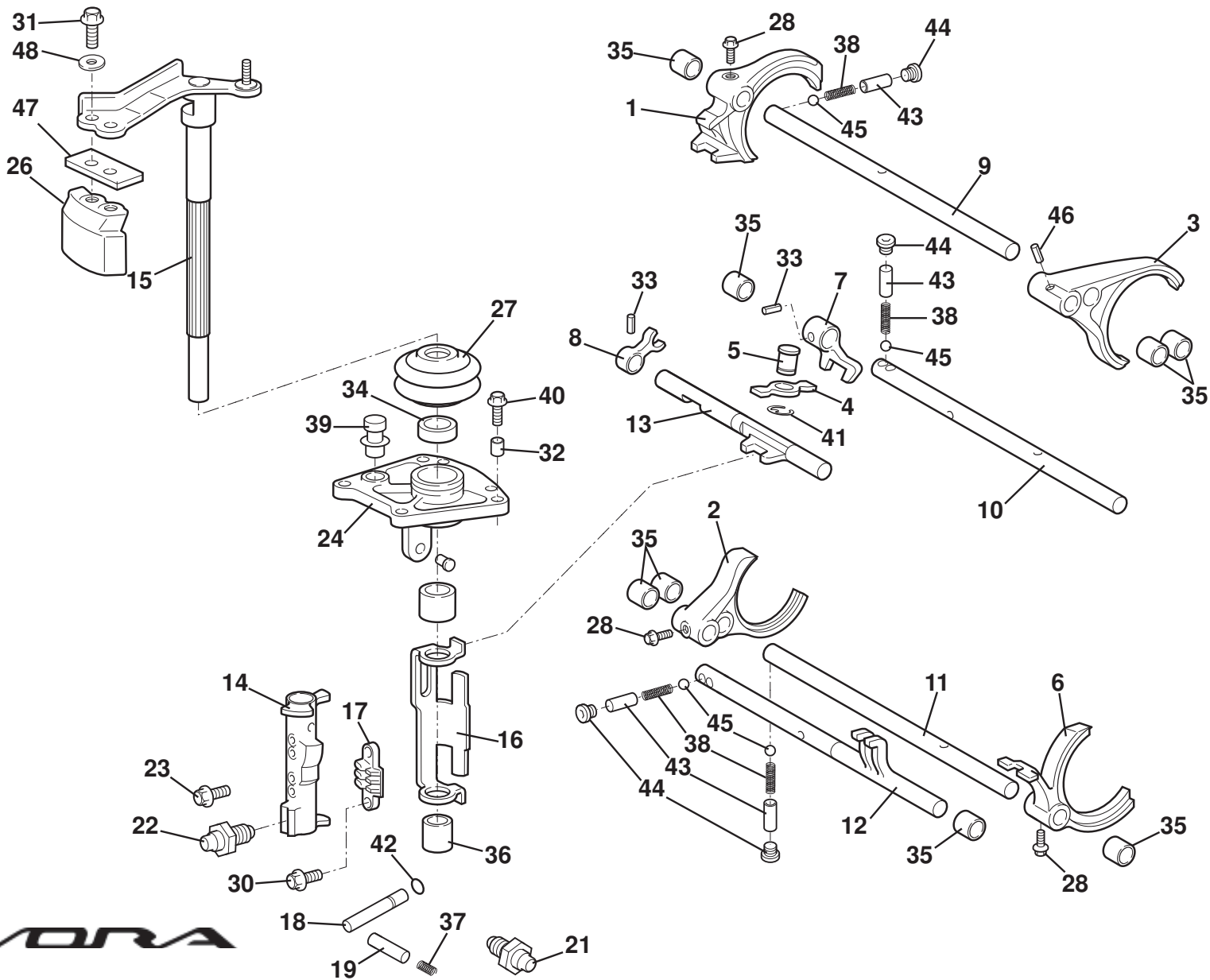


Function Code 47.05 Gearchange Mechanism, External

<u>Dep</u>	<u>Part Description</u>	<u>Remarks</u>	<u>Option</u>	<u>Part Number</u>	<u>Qty</u>
24	Seal, cutout gear cable			C132A0304F	1
24a	Seal, cutout gear selector		Auto (NA & S/Charged)	A132F0066F	1
25	Nut M6, hex flg. 'P' clip fixing			A117W3180F	2
26	Nut Nyloc M8, gearchange assembly mounting			A907E6284F	2
27	Washer Flat M8 x 25 x 1.5 S/S, gearchange assembly mounting			B075W4021F	2
28	Rubber Edge, channel gearchange	Not illustrated 160mm		A085U6080V	1
29	Spring, gear lever lift tube			A132F0191S	1
30	Isolator Gear cables		MY12	A132F0207F	4
31	Washer Gear Cables		MY12	A132F0208F	4
32	Nut M6 x 1.5, gearshift cables		MY12	A132F0209F	2
33	Nut Tube M6 x 1.5, gearshift cables		MY12	A132F0210F	2
34	Lift Tube, reverse select, round lever			A132V0122F	1
34a	Lift Tube, reverse select, round lever			B120U0017F	1
35	Adaptor Lift Tube, blue			A132F0242S	1
36	Grub Screw			A120F0028S	1
37	Abutment, gearchange cables		MY12	A132F0219F	1
38	Screw M5 x 12, abutment fixing			A117W7207F	4
39	Roll Pin, 6 x 30 located in abutment	Not illustrated	MY12	A132F6305F	2
40	Cable Connector, cable to transmission			A132F6307S	2
41	Screw M6 x 12 hex hd thin			A100W1055F	1

Function Code 47.05 Gearchange Mechanism, External

<u>Dep</u>	<u>Part Description</u>	<u>Remarks</u>	<u>Option</u>	<u>Part Number</u>	<u>Qty</u>
42	Washer Spring M6			A075W4035F	1
43	Grub Screw M5 x 5			A100W1000F	1
44	Gearknob, six speed, 12mm thread			D120U0012F	1
45	Knurl Point Grub Screw, M5 x 16, knob to lever	Order with knob	Common	A120W5292F	1



EVORA
47.06

Updated 24th January 2011

Service Parts List



Function Code 47.06 Gear Selector Mechanism, Internal

<u>Dep</u>	<u>Part Description</u>	<u>Remarks</u>	<u>Option</u>	<u>Part Number</u>	<u>Qty</u>
01	Selector Fork Assembly, gearshift no. 1			A132F6050S	1
02	Selector Fork, reverse shift			A132F6051S	1
03	Selector Fork Assembly, gearshift no. 2			A132F6052S	1
04	Shift Arm			A132F6053S	1
05	Pivot, shift arm			A132F6054S	1
06	Selector Fork Assembly, gearshift no. 3			A132F6055S	1
07	Head, gearshift no. 2			A132F6056S	1
08	Head, gearshift no. 3			A132F6057S	1
09	Shaft, selector fork no. 1			A132F6058S	1
10	Shaft, selector fork no. 2			A132F6059S	1
11	Shaft, selector fork no. 3			A132F6060S	1
12	Shaft, selector fork no. 4			A132F6061S	1
13	Shaft, selector fork no. 5			A132F6062S	1
14	Shift Lever, inner no. 1			A132F6063S	1
15	Shaft, shift and select lever			A132F6064S	1
16	Plate, shift interlock			A132F6065S	1
17	Plate, shift gate			A132F6066S	1
17a	Plate, shift gate		Sports Ratio G/box	A132F0206F	1



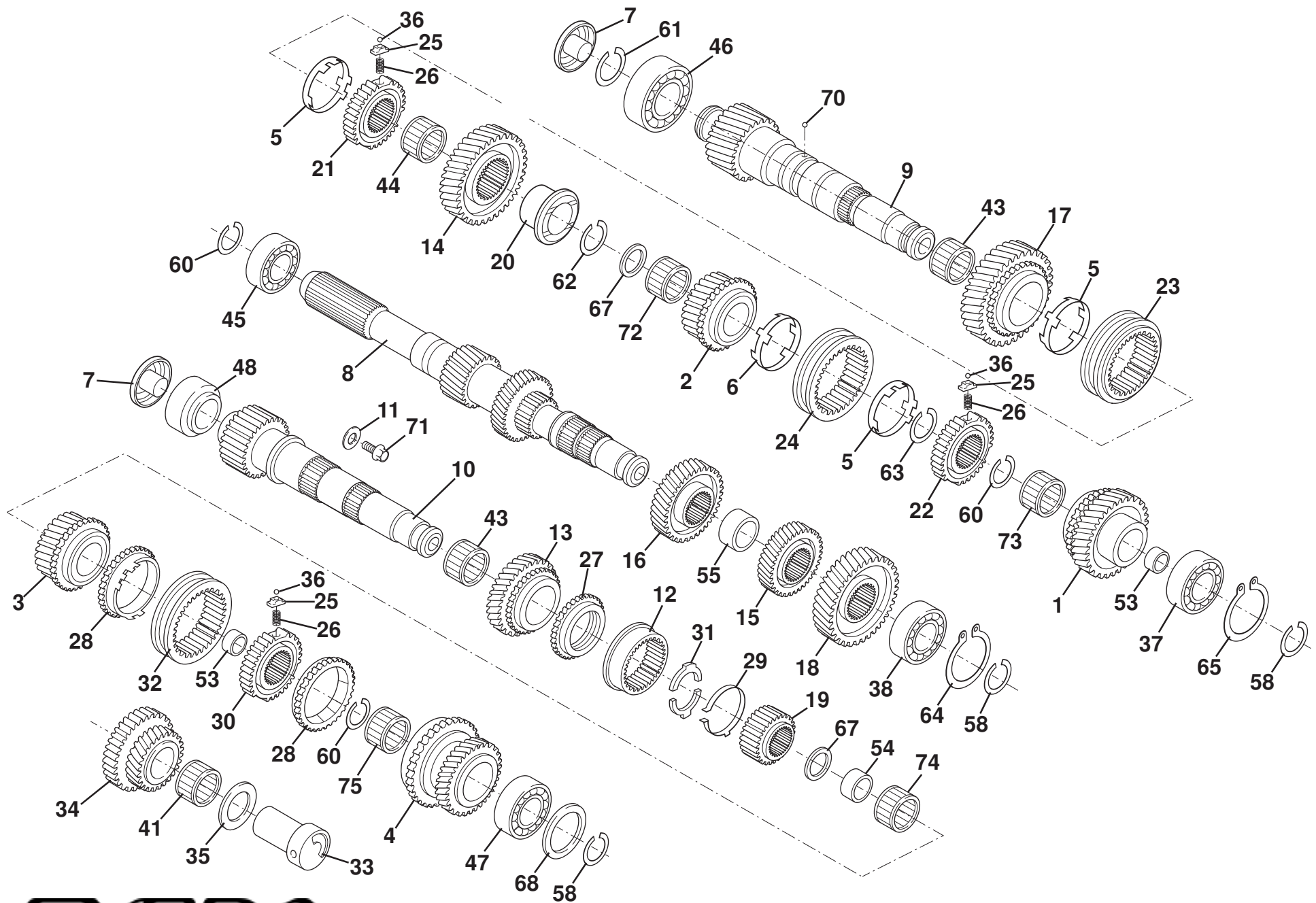
Function Code 47.06 Gear Selector Mechanism, Internal

<u>Dep</u>	<u>Part Description</u>	<u>Remarks</u>	<u>Option</u>	<u>Part Number</u>	<u>Qty</u>
18	Pin, lever shaft fixing			A132F6067S	1
19	Pin, lever shaft fixing			A132F6068S	1
20	Seat, shift detent spring no. 1			A120F6062S	1
21	Detent Ball Assembly			A132F6070S	4
22	Detent Ball Assembly			A132F6071S	4
23	Pin, shift gate			A132F6072S	1
24	Cover Assembly, control shaft	Includes, boot, bearings		A132F6102S	1
25	Bracket, control cable			A132F6103S	1
26	Damper, shift lever			A132F6104S	1
27	Boot, shift lever			A132F6105S	1
28	Bolt, hex. flg. hd., fork to shaft			A132F6133S	3
30	Bolt, hex. flg. hd., plate retention			A132F6134S	2
31	Bolt, hex. flg. hd., damper to lever			A132F6138S	2
31a	Bolt, hex M8 x 35., damper/mass to lever			A075W2038F	2
32	Dowel Pin, cover to casing			A132F6141S	1
33	Pin, slotted spring, head to shaft			A132F6142S	2
34	Oil Seal, cover assembly			A132F6143S	2
35	Bearing, selector shaft			A132F6164S	8
36	Bearing, shift shaft lower			A132F6165S	1
37	Spring, lever shaft pin			A132F6171S	1
38	Spring, shift detent			A132F6172S	4



Function Code 47.06 Gear Selector Mechanism, Internal

<u>Dep</u>	<u>Part Description</u>	<u>Remarks</u>	<u>Option</u>	<u>Part Number</u>	<u>Qty</u>
39	Breather Plug, cover assembly			A132F6252S	1
40	Bolt, hex. flg. hd., cover to casing			A132F6253S	4
41	'E' Clip, shift arm pivot			A132F6255S	1
42	'O' Ring			A132F6256S	1
43	Spring Seat, shift detent			A120F6162S	4
44	Plug, shift detent assy.			A120F6163S	4
45	Detent Ball			A120F6164S	4
46	Pin, slotted spring, fork to shaft			A120F6184S	2
47	Mass, gear selector			A132F0112F	3
48	Washer 8 x 16.6, damper/mass to lever			A075W4020Z	2



EVORA

47.07

Updated 15th July 2010

Service Parts List



Function Code 47.07 Gears, Shafts & Bearings

<u>Dep</u>	<u>Part Description</u>	<u>Remarks</u>	<u>Option</u>	<u>Part Number</u>	<u>Qty</u>
01	3rd Gear, driven			A132F6039S	1
01a	3rd Gear, driven	If unavailable replace with 1b,2b,3b,4b,15b,16b,18b*	Sports Ratio G/box, Prior vin CH_10452, GB1564	A132F0049F	1
01b	3rd Gear, driven		Sports Ratio G/box, vin CH_10452, GB1564 on	B132F0049F	1
02	4th Gear, driven			A132F6040S	1
02a	4th Gear, driven	If unavailable replace with 1b,2b,3b,4b,15b,16b,18b*	Sports Ratio G/box, Prior vin CH_10452, GB1564	A132F0051F	1
02b	4th Gear, driven		Sports Ratio G/box, vin CH_10452, GB1564 on	B132F0051F	1
03	5th Gear, driven			A132F6041S	1
03a	5th Gear, driven	If unavailable replace with 1b,2b,3b,4b,15b,16b,18b*	Sports Ratio G/box, Prior vin CH_10452, GB1564	A132F0053F	1
03b	5th Gear, driven		Sports Ratio G/box, vin CH_10452, GB1564 on	B132F0053F	1
04	6th Gear, driven			A132F6042S	1
04a	6th Gear, driven	If unavailable replace with 1b,2b,3b,4b,15b,16b,18b*	Sports Ratio G/box, Prior vin CH_10452, GB1564	A132F0055F	1
04b	6th Gear, driven		Sports Ratio G/box, vin CH_10452, GB1564 on	B132F0055F	1
05	Synchro Ring Set, no. 1			A132F6043S	3
06	Synchro Ring Set, no. 4			A132F6044S	1

Function Code 47.07 Gears, Shafts & Bearings

<u>Dep</u>	<u>Part Description</u>	<u>Remarks</u>	<u>Option</u>	<u>Part Number</u>	<u>Qty</u>
07	Cover, output shaft			A132F6047S	1
08	Input Shaft			A132F6073S	1
09	Output Shaft, no. 1			A132F6074S	1
10	Output Shaft, no. 2			A132F6075S	1
11	Plate, bearing lock			A132F6076S	2
12	Sleeve, synchro hub, no. 4			A132F6077S	1
13	Reverse Gear			A132F6078S	1
14	2nd Gear			A132F6079S	1
15	3rd Gear			A132F6080S	1
15a	3rd Gear	If unavailable replace with 1b,2b,3b,4b,15b,16b,18b*	Sports Ratio G/box, Prior vin CH_10452, GB1564	A132F0046F	1
15b	3rd Gear		Sports Ratio G/box, vin CH_10452, GB1564 on	B132F0046F	1
16	4th Gear			A132F6081S	1
16a	4th, 5th Gear	If unavailable replace with 1b,2b,3b,4b,15b,16b,18b*	Sports Ratio G/box, Prior vin CH_10452, GB1564	A132F0047F	1
16b	4th, 5th Gear		Sports Ratio G/box, vin CH_10452, GB1564 on	B132F0047F	1
17	1st Gear			A132F6082S	1
18	6th Gear			A132F6083S	1
18a	6th Gear	If unavailable replace with 1b,2b,3b,4b,15b,16b,18b*	Sports Ratio G/box, Prior vin CH_10452, GB1564	A132F0048F	

Function Code 47.07 Gears, Shafts & Bearings

<u>Dep</u>	<u>Part Description</u>	<u>Remarks</u>	<u>Option</u>	<u>Part Number</u>	<u>Qty</u>
18b	6th Gear		Sports Ratio G/box, vin CH_10452, GB1564 on	B132F0048F	1
19	Synchro Hub, no. 4			A132F6084S	1
20	Bearing Inner, 2nd gear			A132F6085S	1
21	Synchro Hub, no. 1			A132F6086S	1
22	Synchro Hub, no. 2			A132F6087S	1
23	Sleeve, synchro hub, no. 1			A132F6088S	1
24	Sleeve, synchro hub, no. 2			A132F6089S	1
25	Key, synchromesh shifting			A132F6090S	9
26	Spring, synchromesh shifting key no. 1			A132F6091S	9
27	Synchromesh Ring, no. 4			A132F6092S	1
28	Synchromesh Ring Outer, no. 4			A132F6093S	1
29	Spring, synchromesh shifting key no. 3			A132F6094S	1
30	Synchro Hub, no. 3			A132F6095S	1
31	Key, synchromesh shifting, no. 3			A132F6096S	1
32	Sleeve, synchro hub, no. 3			A132F6097S	1
33	Shaft, reverse idler gear			A132F6099S	1
34	Reverse Idler Gear			A132F6100S	1
35	Thrust Washer, reverse idler gear			A132F6101S	1
36	Detent Ball			A132F6149S	9
37	Bearing, radial ball			A132F6150S	1

Function Code 47.07 Gears, Shafts & Bearings

<u>Dep</u>	<u>Part Description</u>	<u>Remarks</u>	<u>Option</u>	<u>Part Number</u>	<u>Qty</u>
38	Bearing, radial ball			A132F6151S	1
39	Bearing, needle roller			A132F6152S	1
40	Bearing, needle roller			A132F6153S	1
41	Bearing, needle roller, reverse idler			A132F6154S	1
42	Bearing, needle roller			A132F6155S	1
43	Bearing, needle roller			A132F6156S	1
44	Bearing, needle roller			A132F6157S	1
45	Bearing, cylindrical roller			A132F6158S	1
46	Bearing, cylindrical roller			A132F6159S	1
47	Bearing, tapered roller			A132F6160S	1
48	Bearing, tapered roller			A132F6161S	1
49	Bearing, tapered roller			A132F6162S	1
50	Bearing, tapered roller			A132F6163S	1
51	Bearing			A132F6164S	1
52	Bearing			A132F6165S	1
53	Collar			A132F6166S	2
54	Collar			A132F6167S	1
55	Collar		A132F6168S R/B	A132F0141F	1
55a	Collar 3rd gear		Sports Ratio G/box	A132F0141F	1
56	Collar			A132F6169S	1
57	Snap Ring, bearing to shaft			A132F6173S	1

Function Code: 47.07, Page: 4

Updated 4th April 2013

Function Code 47.07 Gears, Shafts & Bearings

<u>Dep</u>	<u>Part Description</u>	<u>Remarks</u>	<u>Option</u>	<u>Part Number</u>	<u>Qty</u>
58	Snap Ring, bearing to shaft, A, 1.80mm			A132F6174S	3
58a	Snap Ring, bearing to shaft, B, 1.85mm			A132F6175S	3
58b	Snap Ring, bearing to shaft, C, 1.90mm			A132F6176S	3
58c	Snap Ring, bearing to shaft, D, 1.95mm			A132F6177S	3
58d	Snap Ring, bearing to shaft, E, 2.00mm			A132F6178S	3
58e	Snap Ring, bearing to shaft, F, 2.40mm			A132F6179S	3
58f	Snap Ring, bearing to shaft, G, 2.45mm			A132F6180S	3
58g	Snap Ring, bearing to shaft, H, 2.50mm			A132F6181S	3
59	Snap Ring, bearing to shaft, 0, 2.05mm			A132F6182S	3
59a	Snap Ring, bearing to shaft, 1, 2.10mm			A132F6183S	3
59b	Snap Ring, bearing to shaft, 2, 2.15mm			A132F6184S	3
59c	Snap Ring, bearing to shaft, 3, 2.20mm			A132F6185S	3
59d	Snap Ring, bearing to shaft, 4, 2.25mm			A132F6186S	3
59e	Snap Ring, bearing to shaft, 5, 2.30mm			A132F6187S	3
59f	Snap Ring, bearing to shaft, 6, 2.35mm			A132F6188S	3
60	Snap Ring, bearing to shaft, 1, 2.25mm			A132F6189S	2
60a	Snap Ring, bearing to shaft, 1, 2.30mm			A132F6190S	2
60b	Snap Ring, bearing to shaft, 1, 2.35mm			A132F6191S	2
60c	Snap Ring, bearing to shaft, 1, 2.40mm			A132F6192S	2
60d	Snap Ring, bearing to shaft, 1, 2.45mm			A132F6193S	2
60e	Snap Ring, bearing to shaft, 1, 2.50mm			A132F6194S	2

Function Code: 47.07, Page: 5

Updated 4th April 2013

Function Code 47.07 Gears, Shafts & Bearings

<u>Dep</u>	<u>Part Description</u>	<u>Remarks</u>	<u>Option</u>	<u>Part Number</u>	<u>Qty</u>
61	Snap Ring, bearing to shaft			A132F6195S	1
62	Snap Ring, bearing to shaft, A, 2.25mm			A132F6196S	1
62a	Snap Ring, bearing to shaft, B, 2.30mm			A132F6197S	1
62b	Snap Ring, bearing to shaft, C, 2.35mm			A132F6198S	1
62c	Snap Ring, bearing to shaft, D, 2.40mm			A132F6199S	1
62d	Snap Ring, bearing to shaft, E, 2.45mm			A132F6200S	1
62e	Snap Ring, bearing to shaft, F, 2.50mm			A132F6201S	1
62f	Snap Ring, bearing to shaft, G, 2.55mm			A132F6202S	1
62g	Snap Ring, bearing to shaft, H, 2.60mm			A132F6203S	1
63	Snap Ring, bearing to shaft, A, 2.25mm			A132F6204S	1
63a	Snap Ring, bearing to shaft, B, 2.30mm			A132F6205S	1
63b	Snap Ring, bearing to shaft, C, 2.35mm			A132F6206S	1
63c	Snap Ring, bearing to shaft, D, 2.40mm			A132F6207S	1
63d	Snap Ring, bearing to shaft, E, 2.45mm			A132F6208S	1
63e	Snap Ring, bearing to shaft, F, 2.50mm			A132F6209S	1
63f	Snap Ring, bearing to shaft, G, 2.55mm			A132F6210S	1
63g	Snap Ring, bearing to shaft, H, 2.60mm			A132F6211S	1
64	Snap Ring, bearing to shaft			A132F6212S	1
65	Snap Ring, bearing to shaft			A132F6213S	1
66	Snap Ring, bearing to shaft			A132F6214S	1
67	Snap Ring, bearing to shaft			A132F6215S	1

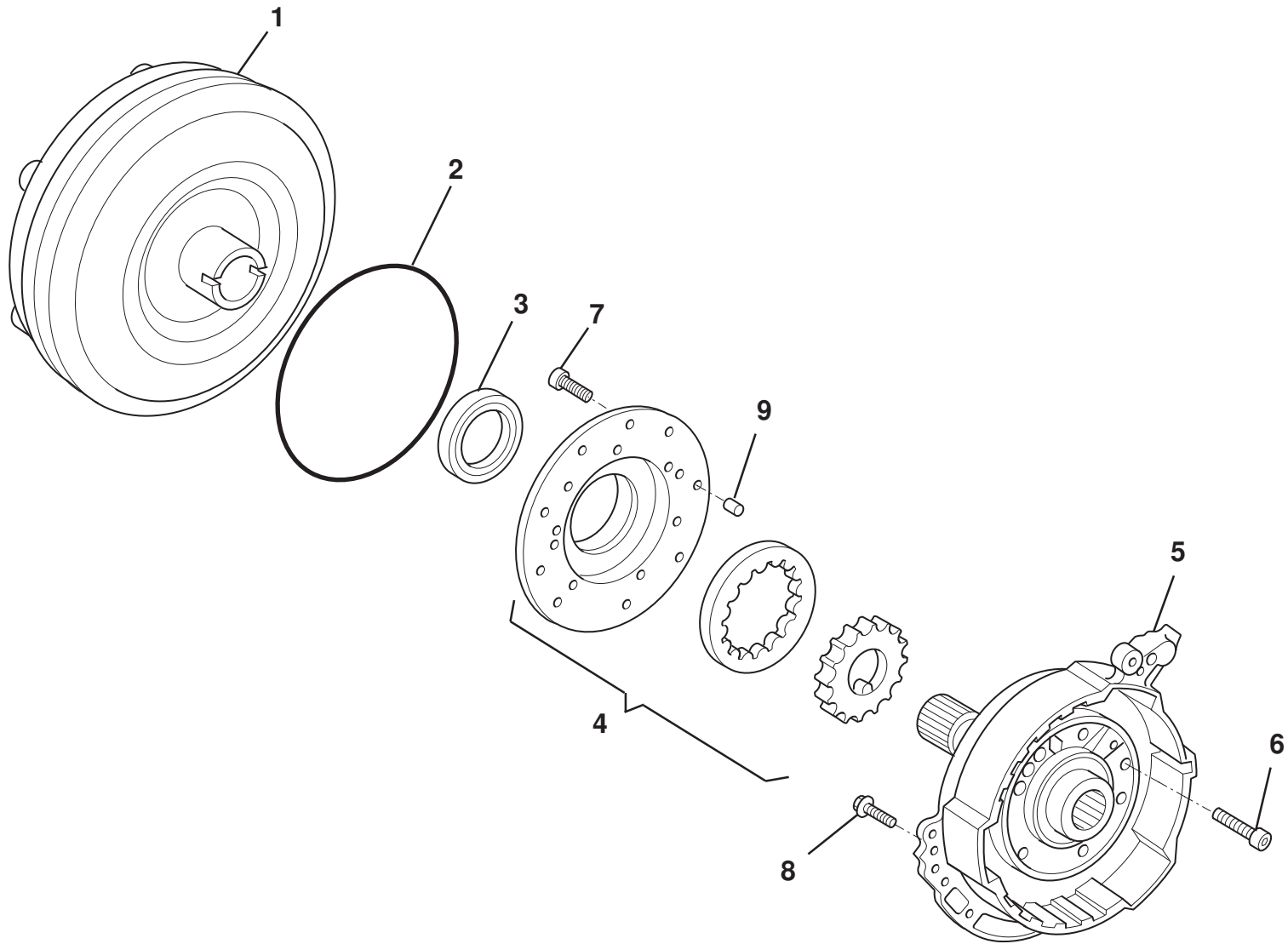
Function Code 47.07 Gears, Shafts & Bearings

<u>Dep</u>	<u>Part Description</u>	<u>Remarks</u>	<u>Option</u>	<u>Part Number</u>	<u>Qty</u>
68	Snap Ring, bearing to shaft, A, 1.80mm			A132F6216S	1
68a	Snap Ring, bearing to shaft, B, 1.85mm			A132F6217S	1
68b	Snap Ring, bearing to shaft, C, 1.90mm			A132F6218S	1
68c	Snap Ring, bearing to shaft, D, 1.95mm			A132F6219S	1
68d	Snap Ring, bearing to shaft, E, 2.00mm			A132F6220S	1
68e	Snap Ring, bearing to shaft, F, 2.05mm			A132F6221S	1
68f	Snap Ring, bearing to shaft, G, 2.10mm			A132F6222S	1
68g	Snap Ring, bearing to shaft, H, 2.15mm			A132F6223S	1
68h	Snap Ring, bearing to shaft, J, 2.20mm			A132F6224S	1
68i	Snap Ring, bearing to shaft, K, 2.25mm			A132F6225S	1
68j	Snap Ring, bearing to shaft, L, 2.30mm			A132F6226S	1
68k	Snap Ring, bearing to shaft, M, 2.35mm			A132F6227S	1
68l	Snap Ring, bearing to shaft, N, 2.40mm			A132F6228S	1
68m	Snap Ring, bearing to shaft, P, 2.45mm			A132F6229S	1
68n	Snap Ring, bearing to shaft, Q, 2.50mm			A132F6230S	1
68o	Snap Ring, bearing to shaft, R, 2.55mm			A132F6231S	1
68p	Snap Ring, bearing to shaft, S, 2.60mm			A132F6232S	1
68q	Snap Ring, bearing to shaft, T, 2.65mm			A132F6233S	1
69	Screw, hex. flg. hd., plate fixing			A120F6027S	1
70	Detent Ball, output shaft			A131F6056S	1
71	Screw, hex. flg. hd., plate fixing			A120F6027S	2

Function Code 47.07 Gears, Shafts & Bearings

<u>Dep</u>	<u>Part Description</u>	<u>Remarks</u>	<u>Option</u>	<u>Part Number</u>	<u>Qty</u>
72	Bearing, needle roller			A132F6155S	1
73	Bearing, needle roller			A132F6152S	1
74	Bearing, needle roller			A132F6155S	1
75	Bearing, needle roller			A132F6153S	1

*Any gear that is unavailable
must be replaced by complete
set as listed also reshim shafts
as per Toyota specification



EVORA
47.08

Updated 22nd May 2012

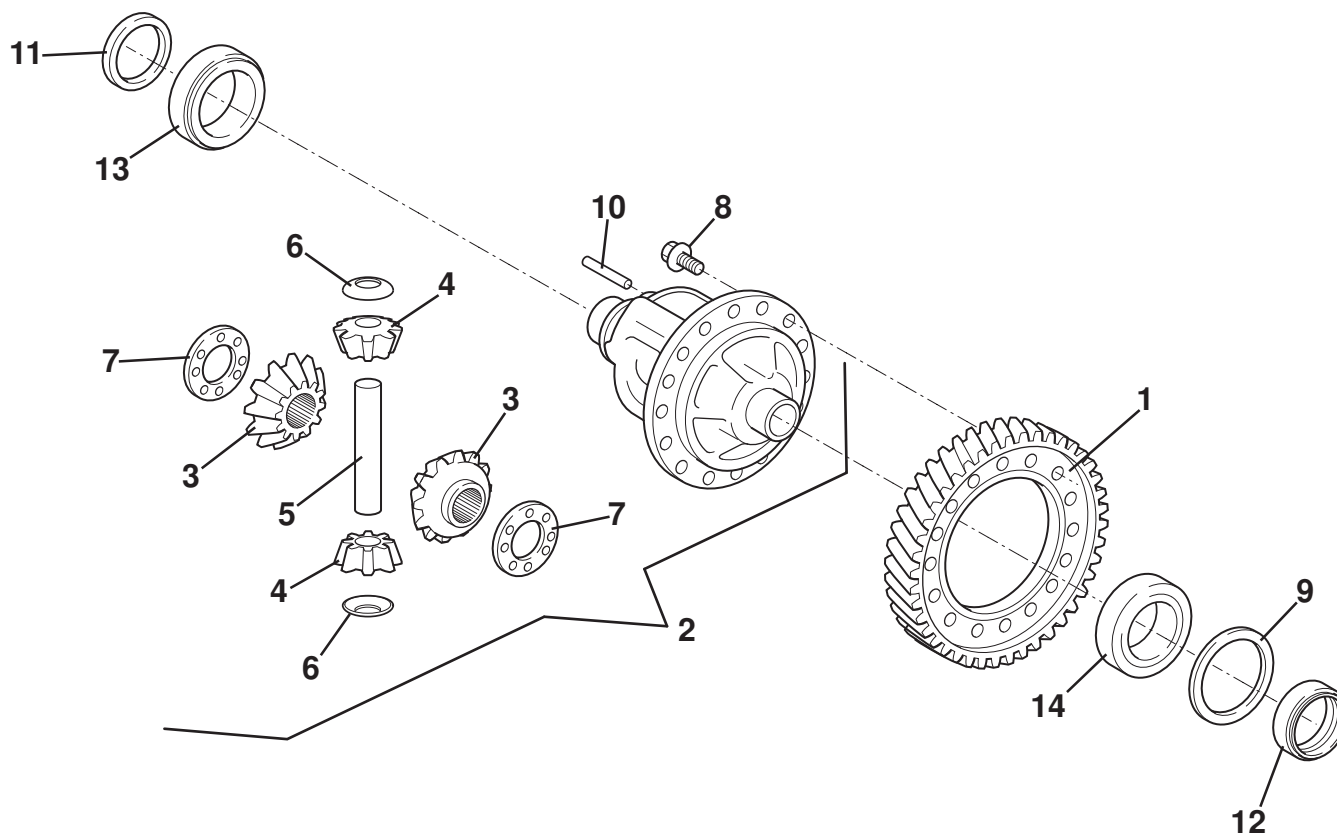
Service Parts List



Function Code 47.08 Torque Converter

<u>Dep</u>	<u>Part Description</u>	<u>Remarks</u>	<u>Option</u>	<u>Part Number</u>	<u>Qty</u>
01	Torque Converter			A132F6294S	1
02	O' Ring			A132F6308S	1
03	Oil Seal			A132F6309S	1
04	Front Oil Pump & Gear Assembly			A132F6310S	1
05	Shaft Assembly			A132F6311S	1
06	Screw			A132F6312S	7
07	Screw			A132F6312S	9
08	Bolt			A132F6313S	9
09	Pin			A132F6314S	1





EVORA
47.11

2010/01

Service Parts List



Function Code 47.11 Final Drive & Bearings

<u>Dep</u>	<u>Part Description</u>	<u>Remarks</u>	<u>Option</u>	<u>Part Number</u>	<u>Qty</u>
01	Gear, differential ring			A132F6110S	1
02	Differential Assembly			A132F6111S	1
03	Gear, differential side			A132F6112S	2
04	Pinion, differential			A132F6113S	2
05	Shaft, differential pinion			A132F6114S	1
06	Thrust Washer, differential pinion			A132F6115S	2
07	Thrust Washer, differential side gear, 1.25mm			A132F6116S	2
07	Thrust Washer, differential side gear, 1.30mm			A132F6127S	2
07a	Thrust Washer, differential side gear, 1.35mm			A132F6117S	2
07b	Thrust Washer, differential side gear, 1.40mm			A132F6118S	2
07c	Thrust Washer, differential side gear, 1.45mm			A132F6119S	2
07d	Thrust Washer, differential side gear, 1.50mm			A132F6120S	2
07e	Thrust Washer, differential side gear, 1.55mm			A132F6121S	2
07f	Thrust Washer, differential side gear, 1.60mm			A132F6122S	2
07g	Thrust Washer, differential side gear, 1.65mm			A132F6123S	2
07h	Thrust Washer, differential side gear, 1.70mm			A132F6125S	2
07i	Thrust Washer, differential side gear, 1.75mm			A132F6125S	2
07j	Thrust Washer, differential side gear, 1.80mm			A132F6126S	2



Function Code 47.11 Final Drive & Bearings

<u>Dep</u>	<u>Part Description</u>	<u>Remarks</u>	<u>Option</u>	<u>Part Number</u>	<u>Qty</u>
07l	Thrust Washer, differential side gear, 1.85mm			A132F6128S	2
07lm	Thrust Washer, differential side gear, 1.90mm			A132F6129S	2
07n	Thrust Washer, differential side gear, 1.95mm			A132F6130S	2
08	Screw, hex. flg. hd., gear to differential			A132F6135S	16
09	Shim, bearing to housing, 0, 2.00mm			A132F6234S	1
09a	Shim, bearing to housing, 1, 2.05mm			A132F6235S	1
09b	Shim, bearing to housing, 2, 2.10mm			A132F6236S	1
09c	Shim, bearing to housing, 3, 2.15mm			A132F6237S	1
09d	Shim, bearing to housing, 4, 2.20mm			A132F6238S	1
09e	Shim, bearing to housing, 5, 2.25mm			A132F6239S	1
09f	Shim, bearing to housing, 6, 2.30mm			A132F6240S	1
09g	Shim, bearing to housing, 7, 2.35mm			A132F6241S	1
09h	Shim, bearing to housing, 8, 2.40mm			A132F6242S	1
09i	Shim, bearing to housing, 9, 2.45mm			A132F6243S	1
10	Pin, gear to casing			A120F6216S	1
11	Oil Seal, output, RH	Also see 47.15		A132F6145S	1
12	Oil Seal, output, LH	Also see 47.15		A132F6146S	1
13	Bearing, tapered roller			A132F6162S	1
14	Bearing, tapered roller			A132F6163S	1

Service Parts List



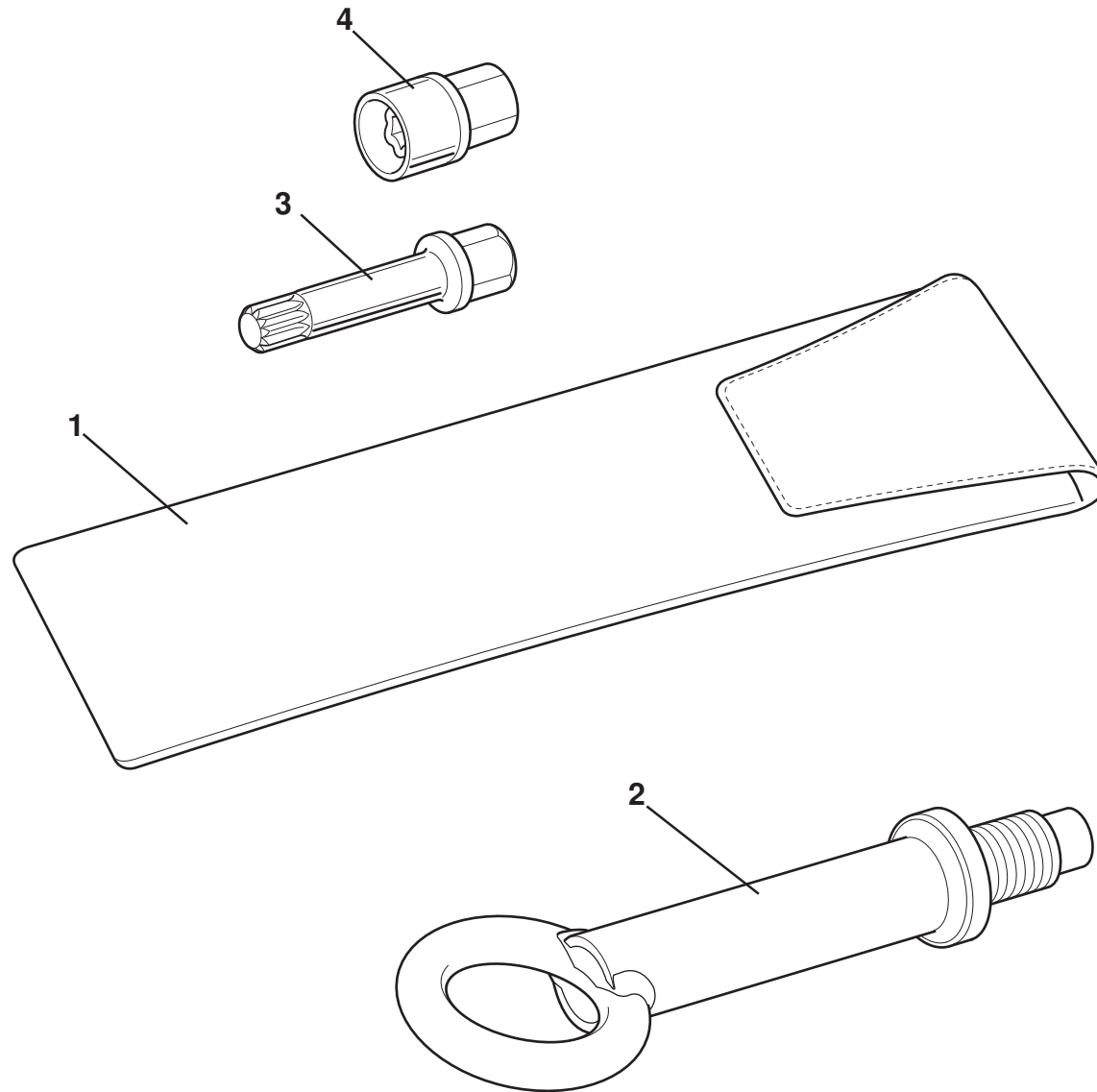
Function Code 47.15 Driveshafts & Seals

<u>Dep</u>	<u>Part Description</u>	<u>Remarks</u>	<u>Option</u>	<u>Part Number</u>	<u>Qty</u>
01	Driveshaft Assembly, LH			B132F0009F	1
01a	Driveshaft Assembly, LH		Auto (NA & S/Charged)	A132F0057F	1
02	Driveshaft Assembly, RH			B132F0010F	1
02a	Driveshaft Assembly, RH		Auto (NA & S/Charged)	A132F0058F	1
03	CV Joint, inner, LH			A132D6011S	1
03a	CV Joint, inner, LH		Auto (NA & S/Charged)	A132F0069F	1
04	CV Joint, inner, RH			A132D6012S	1
04b	CV Joint, inner, RH		Auto (NA & S/Charged)	A132F0070F	1
05	CV Joint, outer, LH	Includes shaft		A132D6009S	1
06	CV Joint, outer, RH	Includes shaft		A132D6010S	1
07	Gaiter Kit, outboard	Includes clips, snap rings, grease		A132D6007S	2
08	Gaiter Kit, inboard	Includes clips, snap rings, grease		A132D6008S	2
09	Bracket, intermediate drive shaft, manual			A132F0008F	1
09a	Bracket, driveshaft bearing		Auto (NA & S/Charged)	A132F6276F	1
10	Bolt, flg. hd., bracket to block			A132E6062H	3
11	Bolt, M10 x 50. hex. hd , bracket to shaft			A132W2045F	2
12	Locknut, M24, flange, driveshaft to hub			A132F6029F	2
13	Oil Seal, output, LH			A132F6146S	1



Function Code 47.15 Driveshafts & Seals

<u>Dep</u>	<u>Part Description</u>	<u>Remarks</u>	<u>Option</u>	<u>Part Number</u>	<u>Qty</u>
13a	Oil Seal, output, LH		Auto (NA & S/Charged)	A132F0192S	1
14	Oil Seal, output, RH			A132F6145S	1
14a	Oil Seal, output, RH		Auto (NA & S/Charged)	A132F0193S	1
15	Nut M10 hex flg			A132W3007F	2
16	Washer 7/16 x 7/8			B120W4199F	2
17	Circlip, driveshaft			A132F6315S	1
18	Snap Ring, drive shaft bearing bracket		Auto (NA & S/Charged)	A132F6277H	1
19	Bolt, flg. hd., shaft lock		Auto (NA & S/Charged)	A132F6278H	1



EVORA
60.01

Updated 22nd May 2012

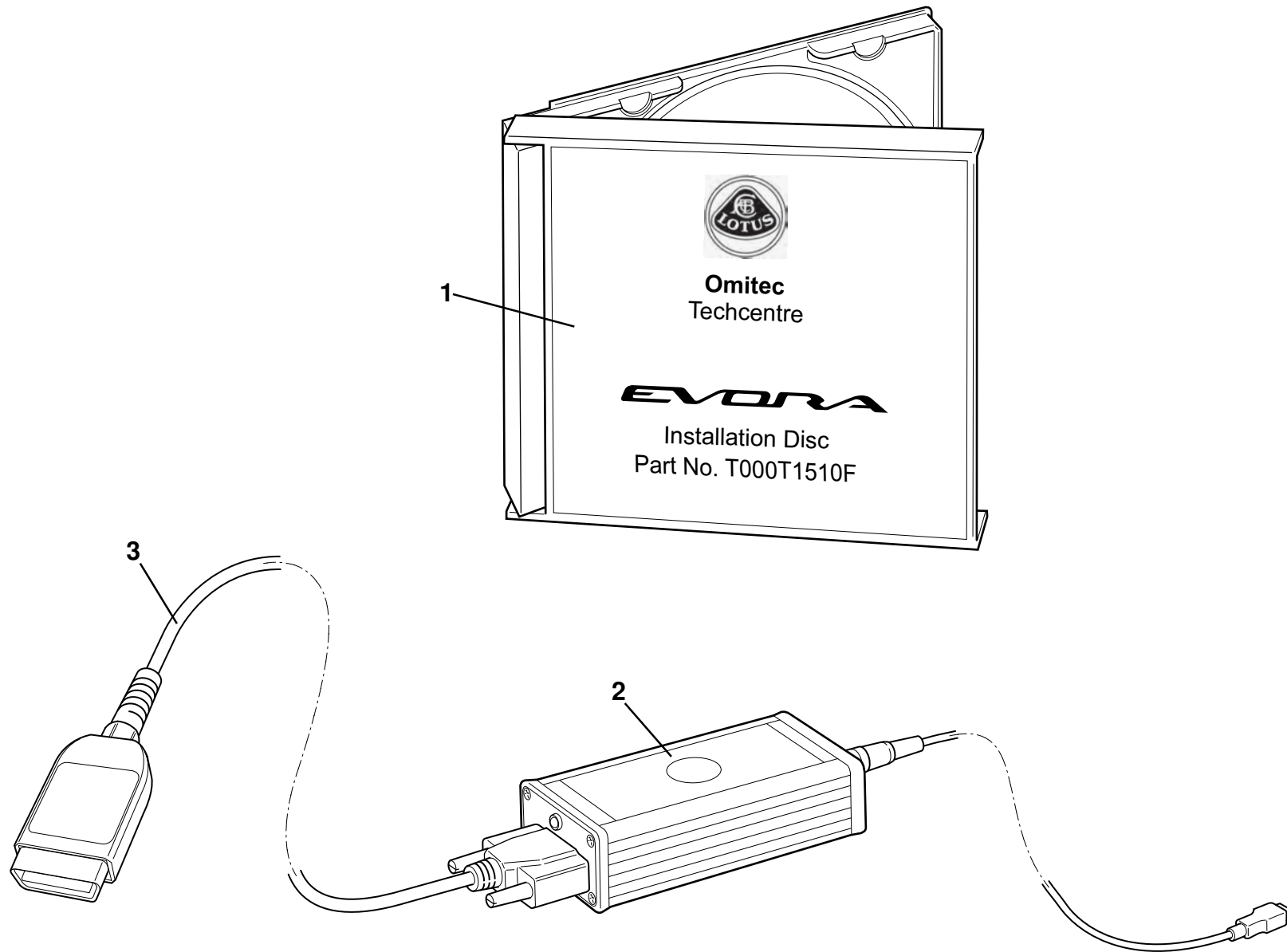
Service Parts List



Function Code 60.01 Tool Kit

<u>Dep</u>	<u>Part Description</u>	<u>Remarks</u>	<u>Option</u>	<u>Part Number</u>	<u>Qty</u>
01	Tool Pouch			A132T0003F	1
02	Towing Eye	Also see 10.31		A132A0374F	1
03	Adaptor, wheelbolt	Also see 34.01		A132G6003F	1
04	Security Wheelbolt Kit	Also see 34.01*		A132G0047F	1

* For replacement keys contact
Technical Service, quoting ID



EVORA
60.01a

Updated 21st March 2011

Service Parts List

EVORA



Function Code 60.01a Diagnostic Equipment

<u>Dep</u>	<u>Part Description</u>	<u>Remarks</u>	<u>Option</u>	<u>Part Number</u>	<u>Qty</u>
01	Techcentre Evora Installation Disc			T000T1510F	1
02	Kit, Vehicle Communication Device	Includes leads (yellow, 2x USB) and case		T000T1472F	1
03	Lead, Programming communications, yellow			T000T1497F	1
04	Lead, Vehicle Communication Device (VCD) to PC	Not illustrated		T000T1537F	1

Not Illustrated

EVORA
60.02

Updated 21st January 2011

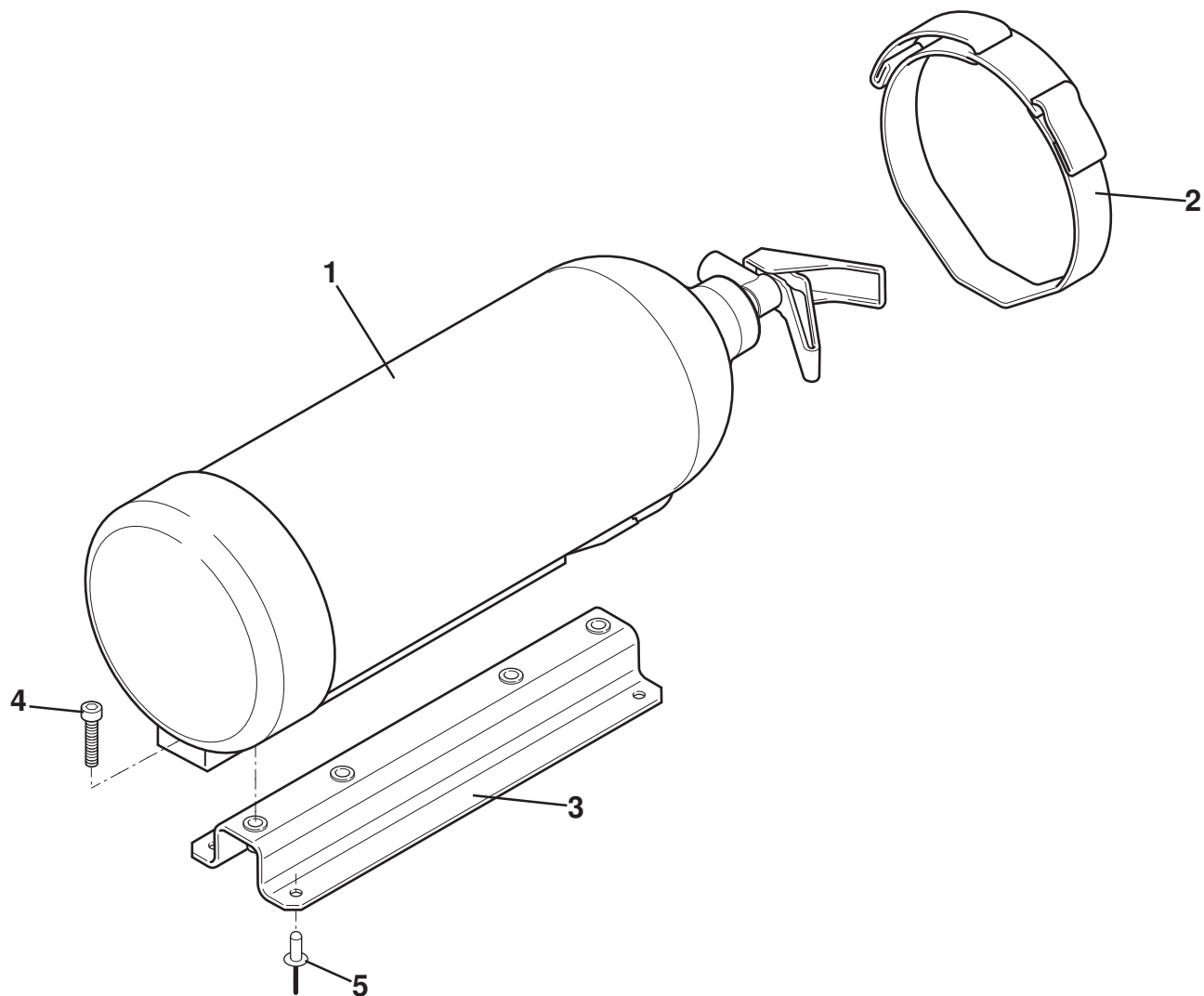
Service Parts List



Function Code 60.02 Special Tools

<u>Dep</u>	<u>Part Description</u>	<u>Remarks</u>	<u>Option</u>	<u>Part Number</u>	<u>Qty</u>
01	Hanger, engine, LH			A132E6183S	1
02	Hanger, engine, RH			A132E6182S	1
03	Flange bolt, engine hanger			A132E6184S	4
04	Oil Filter Wrench			T000T1441F	1
05	Column Spacer Tool	For use when steering wheel removed		T000T1519F	1
06	Clutch Tool	For use when fitting clutch to flywheel		T000T1524F	1





EVORA
60.03

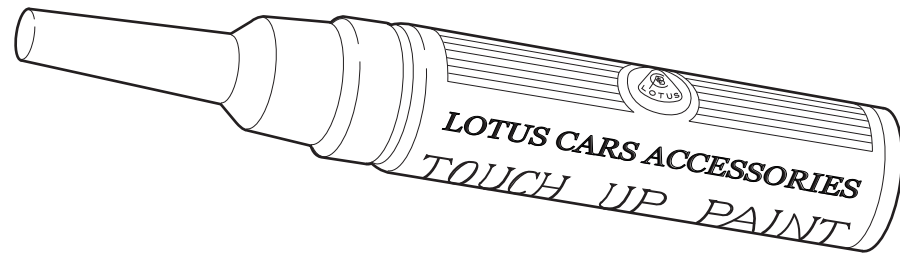
2010/01

Service Parts List



Function Code 60.03 Fire Extinguisher, Gulf States

<u>Dep</u>	<u>Part Description</u>	<u>Remarks</u>	<u>Option</u>	<u>Part Number</u>	<u>Qty</u>
01	Fire Extinguisher, 2 kg, GCC			A120B0246J	1
02	Strap Assembly, fire extinguisher retention			A120U0135F	1
03	Bracket, extinguisher mounting			A132A0435F	1
04	Screw, M5 x 25, cap skt. hd., extinguisher to bracket			A132W7001F	4
05	Pop Rivet, bracket to chassis			A085W6259F	4



EVORA

80.20a

2010/01

Service Parts List



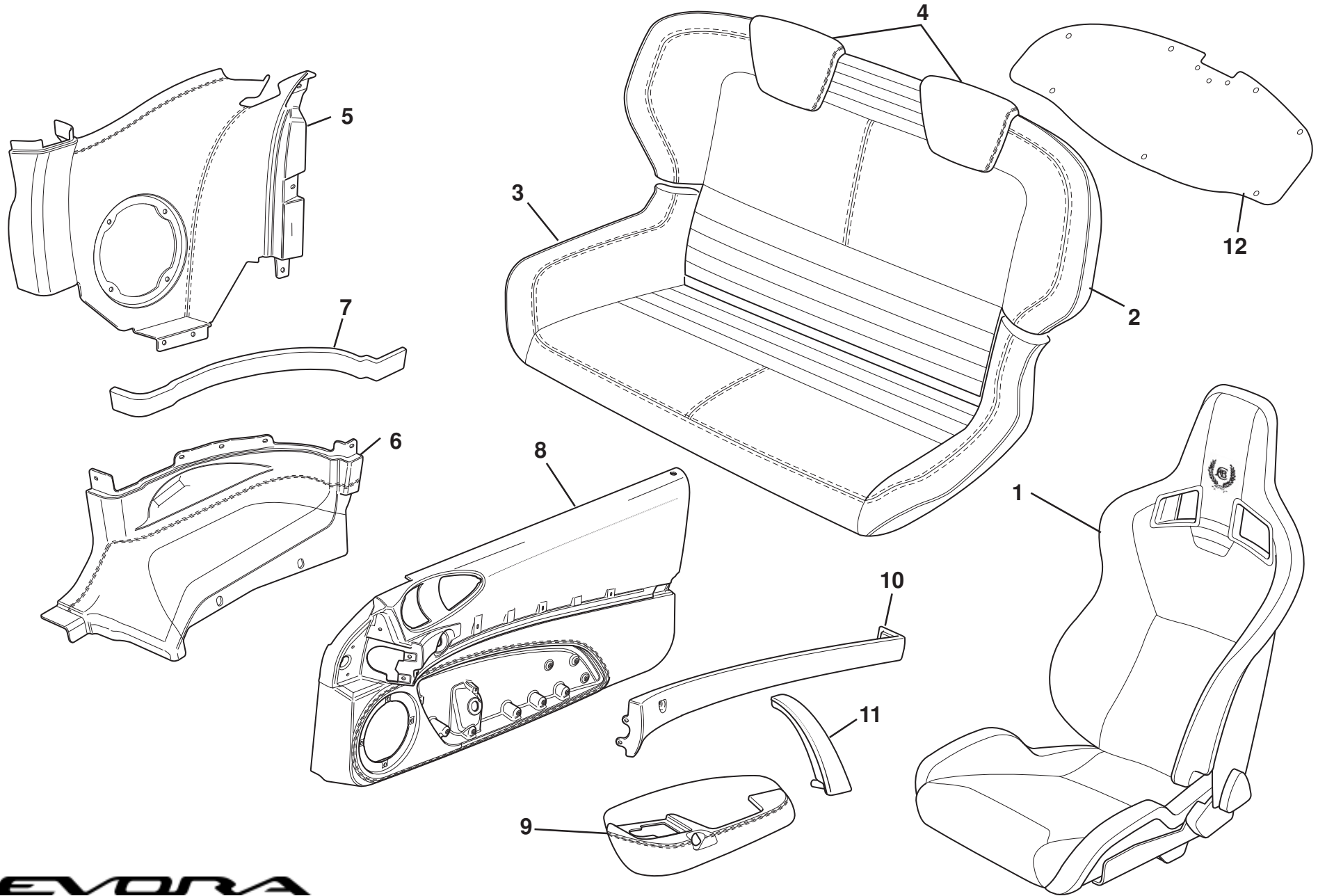
Function Code 80.20a Touch-in Paint Pencil Range

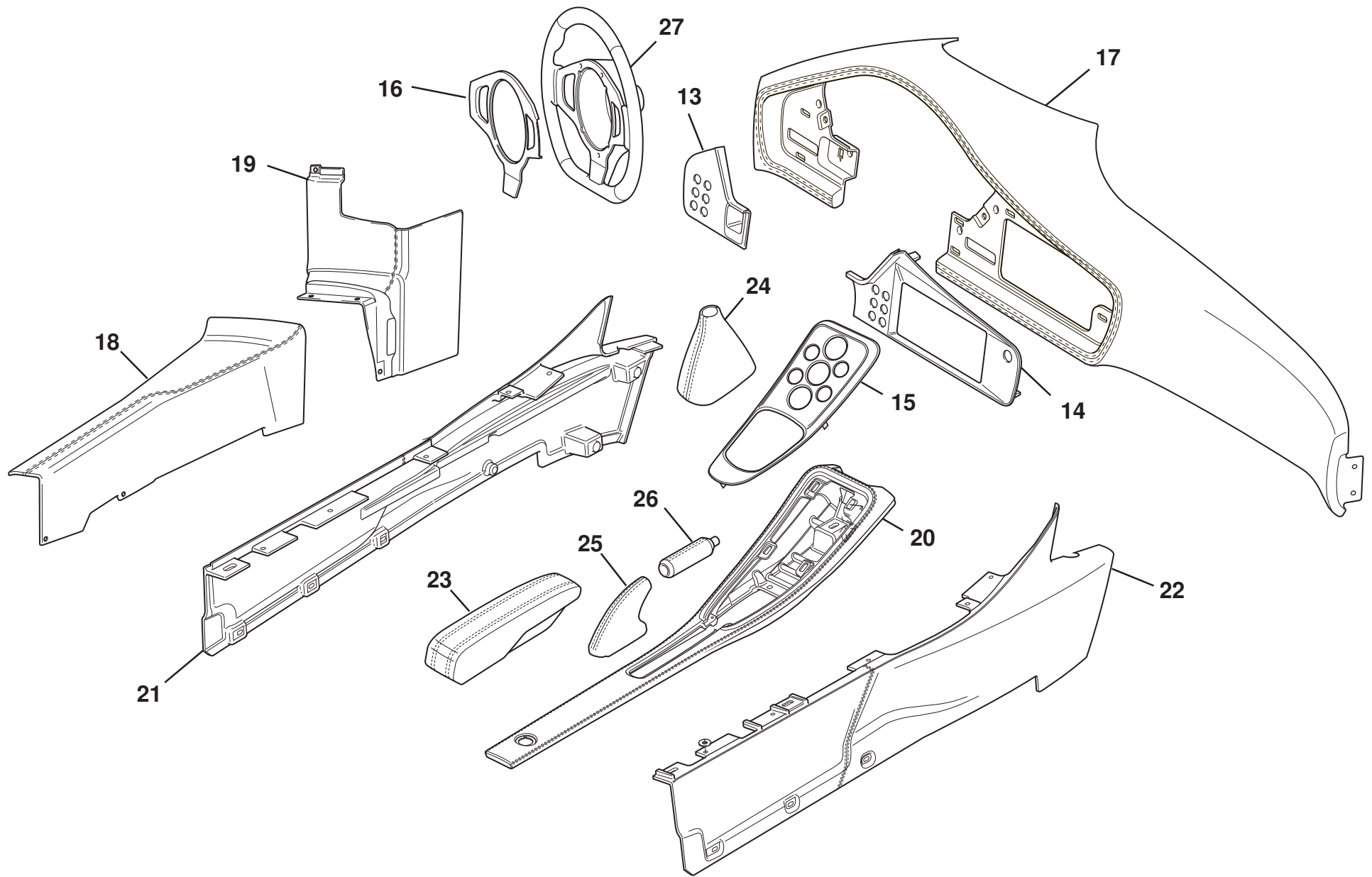
<u>Dep</u>	<u>Part Description</u>	<u>Remarks</u>	<u>Option</u>	<u>Part Number</u>	<u>Qty</u>
75	B75, Motorsport Green			A120B6086S	1
93	B93, Starlight Black Metallic			A082B6402F	1
94	B94, Ardent Red			A082B6400F	1
105	B105, Nightfall Blue			A082B6415F	1
106	B106, Saffron Yellow			A082B6416F	1
111	B111, Motorsport Black			A120B6045S	1
113	B113, Aspen White			A120B6028S	1
114	B114, Solar Yellow			A120B6029S	1
115	B115, Silver			A120B6030S	1
119	B119, Racing Green			A120B6034S	1
120	B120, Laser Blue			A120B6035S	1
122	B122, Graphite Grey			A120B6037S	1
123	B123, Phantom Black			A120B6038S	1
127	B127, Prism Green			A120B6047S	1
128	B128, Moonstone			A120B6048S	1
129	B129, Ice White			A120B6049S	1
130	B130, Arctic Silver			A120B6050S	1
131	B131, Persian Blue			A120B6044S	1



Function Code 80.20a Touch-in Paint Pencil Range

<u>Dep</u>	<u>Part Description</u>	<u>Remarks</u>	<u>Option</u>	<u>Part Number</u>	<u>Qty</u>
132	B132, Isotope			A120B6051S	1
133	B133, Liquid Blue			A120B6052S	1
134	B134, Candy Red			A120B6053S	1
135	B135, Burnt Orange			A120B6054S	1
137	B137, Carbon Grey			A120B6062S	1
138	B138, Aquamarine			A120B6063S	1
139	B139, Lotus Quartz			A120B6064S	1
147	C147, Frost Blue			A132B6104S	1
148	C148, Autumn Bronze			A132B6105S	1
149	C149, Velvet Red			A120B6087S	1
150	C150, Amethyst Grey			A132B6106S	1
151	C151, Sienna Brown			A120B6088S	1

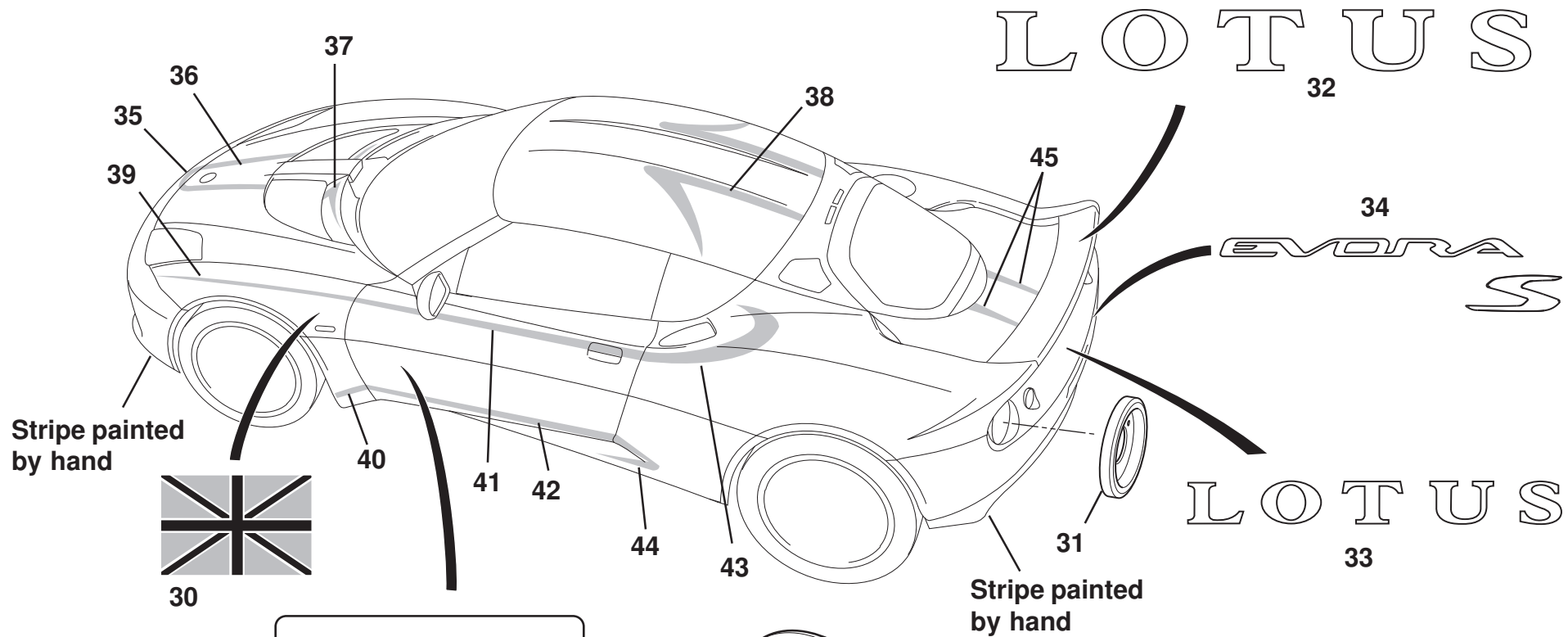




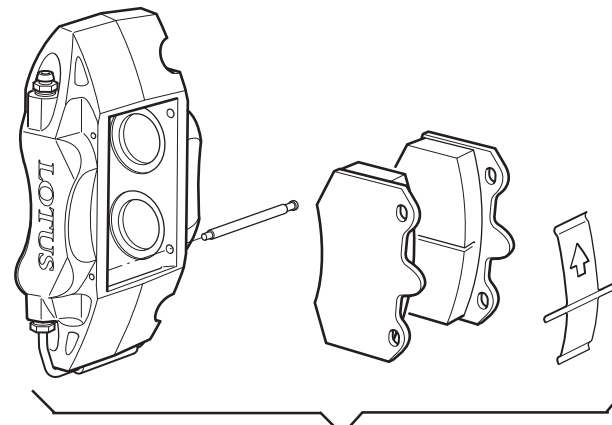
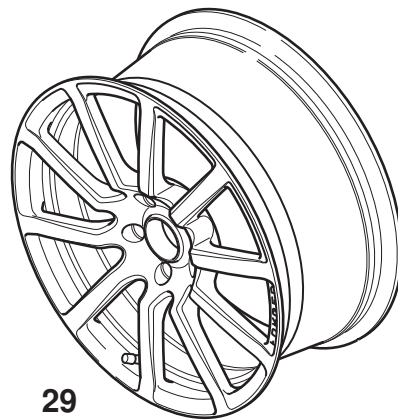
EVORA

99.01 page 2

Updated 6th June 2012



46



EVORA

99.01 page 3

Updated 6th June 2012

Service Parts List

EVORA



Function Code 99.01 GP Edition

<u>Dep</u>	<u>Part Description</u>	<u>Remarks</u>	<u>Option</u>	<u>Part Number</u>	<u>Qty</u>
01	Front Seat, LH, black leather, heated	Red stitching, To be confirmed			1
01a	Front Seat, RH, black leather, heated	Red stitching, To be confirmed			1
02	Seat Backrest Assembly, rear, black leather	Red stitching		A132V0738S	1
03	Seat Cushion Assembly, rear, black leather	Red stitching		A132V0739S	1
04	Headrest, rear seat, black leather	Red stitching		A132V0740S	2
05	Trim Panel, rear quarter upper, LH, black leather	Red stitching		A132V4703S	1
05a	Trim Panel, rear quarter upper, RH, black leather	Red stitching		A132V4704S	1
06	Trim Panel, rear quarter lower, LH, black leather	Red stitching		A132V4723S	1
06	Trim Panel, rear quarter lower, RH, black leather	Red stitching		A132V4724S	1
07	Trim Finisher, rear quarter panel LH, suedetex			A132V4745S	1
07a	Trim Finisher, rear quarter panel RH, suedetex			A132V4746S	1
08	Front Door Trim Panel Assembly, LH, RHD	Red stitching		A132V4791S	1
08a	Front Door Trim Panel Assembly, LH, LHD	Red stitching		A132V4793S	1
08b	Front Door Trim Panel Assembly, RH, RHD	Red stitching		A132V4792S	1
08c	Front Door Trim Panel Assembly, RH, LHD	Red stitching		A132V4794S	1
09	Stowage Pocket/Switch Panel Assy, trimmed, LH RHD, suedetex	Red stitching		A132V4911S	1
09a	Stowage Pocket/Switch Panel Assy, trimmed, LH LHD, suedetex	Red stitching		A132V4913S	1

EVORA

Function Code: 99.01, Page: 1

Updated 27th february 2013

Function Code 99.01 GP Edition

<u>Dep</u>	<u>Part Description</u>	<u>Remarks</u>	<u>Option</u>	<u>Part Number</u>	<u>Qty</u>
09b	Stowage Pocket/Switch Panel Assy, trimmed, RH RHD, suedetex	Red stitching		A132V4912S	1
09c	Stowage Pocket/Switch Panel Assy, trimmed, RH LHD, suedetex	Red stitching		A132V4914S	1
10	Door Trim Insert Panel, LH, suedetex			A132V4819S	1
10a	Door Trim Insert Panel, RH, suedetex			A132V4820S	1
11	Door Pull Handle Assembly, trimmed inner, LH		MY11	A132V4201J	1
11a	Door Pull Handle Assembly, fully trimmed, LH		MY12 USA	A132V5055S	1
11b	Door Pull Handle Assembly, trimmed inner, RH		MY11	A132V4202J	1
11c	Door Pull Handle Assembly, fully trimmed, RH		MY12 USA	A132V5056S	1
11d	Door Pull Handle Inner, trimmed, LH	Black leather		A132V4363S	1
11e	Door Pull Handle Inner, trimmed, RH	Black leather		A132V4364S	1
11f	Door Pull Handle Cover LH		MY11	A132V4147F	1
11g	Door Pull Handle Cover, trimmed, LH	Black leather	MY12 USA	A132V5069S	1
11h	Door Pull Handle Cover, RH		MY11	A132V4148F	1
11i	Door Pull Handle Cover, trimmed RH	Black leather	MY12 USA	A132V5070S	1
12	Trim Panel Tailgate, suedetex	Red stitching		A132V0756S	1
13	Switch Panel, LH, LHD, black			A232U4531F	1
13a	Switch Panel, LH, RHD, black			A232U4532F	1
14	Switch Panel, RH, LHD, black			A132U4527F	1
14a	Switch Panel, RH, RHD, black			A132U4528F	1



Function Code 99.01 GP Edition

<u>Dep</u>	<u>Part Description</u>	<u>Remarks</u>	<u>Option</u>	<u>Part Number</u>	<u>Qty</u>
15	Panel, HVAC finisher, manual, black			A132U0641F	1
15a	Panel, HVAC finisher, auto, black			A132U0654F	1
16	Finisher Trim, steering wheel, black			A132V0333F	1
17	Trim Panel, switch & instruments surround, LHD, suedetex	Red stitching		A132V4889S	1
17a	Trim Panel, switch & instruments surround, RHD, suedetex	Red stitching		A132V4890S	1
18	Sill Trim Panel Assembly, LH	Red stitching, no tread plate	MY11	A132V4915S	1
18a	Sill Trim Panel Assembly, RH	Red stitching, no tread plate	MY11	A132V4916S	1
18b	Sill Trim Panel Assembly, LH	Red stitching, tread plate	MY12 USA	A132V4975S	1
18c	Sill Trim Panel Assembly, RH	Red stitching, tread plate	MY12 USA	A132V4976S	1
19	Trim Panel, 'A' post lower, LH	Red stitching		A132V4879S	1
19a	Trim Panel, 'A' post lower, RH	Red stitching		A132V4880S	1
20	Centre Console, upper, armrest, suedetex	Red stitching		A132V0750S	1
21	Centre Console, side, LH armrest, leather	Red stitching		A132V4975S	1
22	Centre Console, side, RH armrest, leather	Red stitching		A132V4976S	1
23	Armrest Assembly, suedetex	Red stitching		A132V0751S	1
24	Gaiter, gearlever, suedetex	Red stitching		A132V0752S	1
25	Gaiter, parking brake lever, suedetex	Red stitching		A132V0753S	1
26	Parking Brake Hand-Grip, alloy, suedetex	Red stitching		A132V0994S	1
27	Steering Wheel	Red stitching		A132V0757S	1
28	Assembly Brake Caliper Front LH red			A132J4045F	1
28a	Assembly Brake Caliper Front RH red			A132J4046F	1



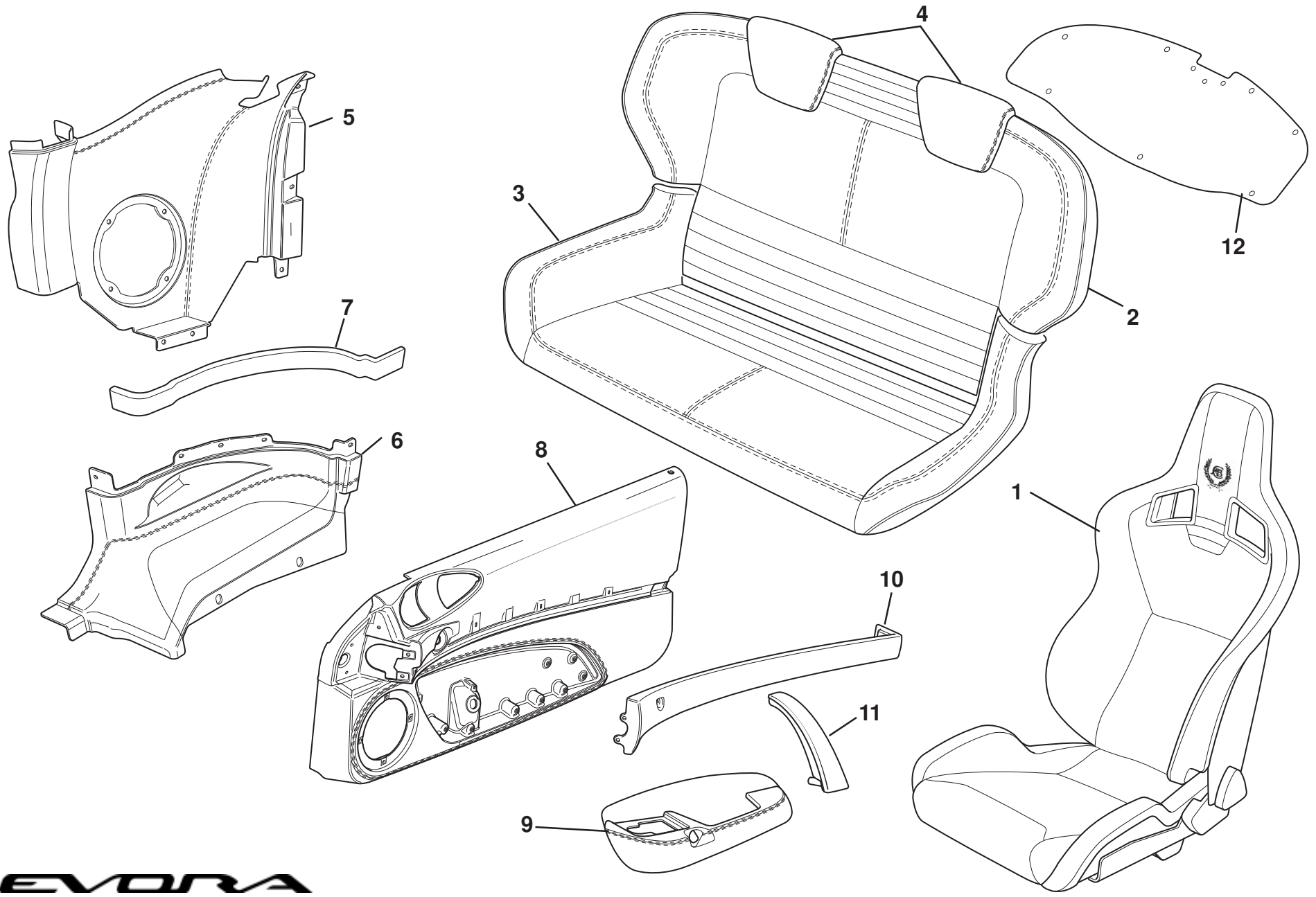
Function Code 99.01 GP Edition

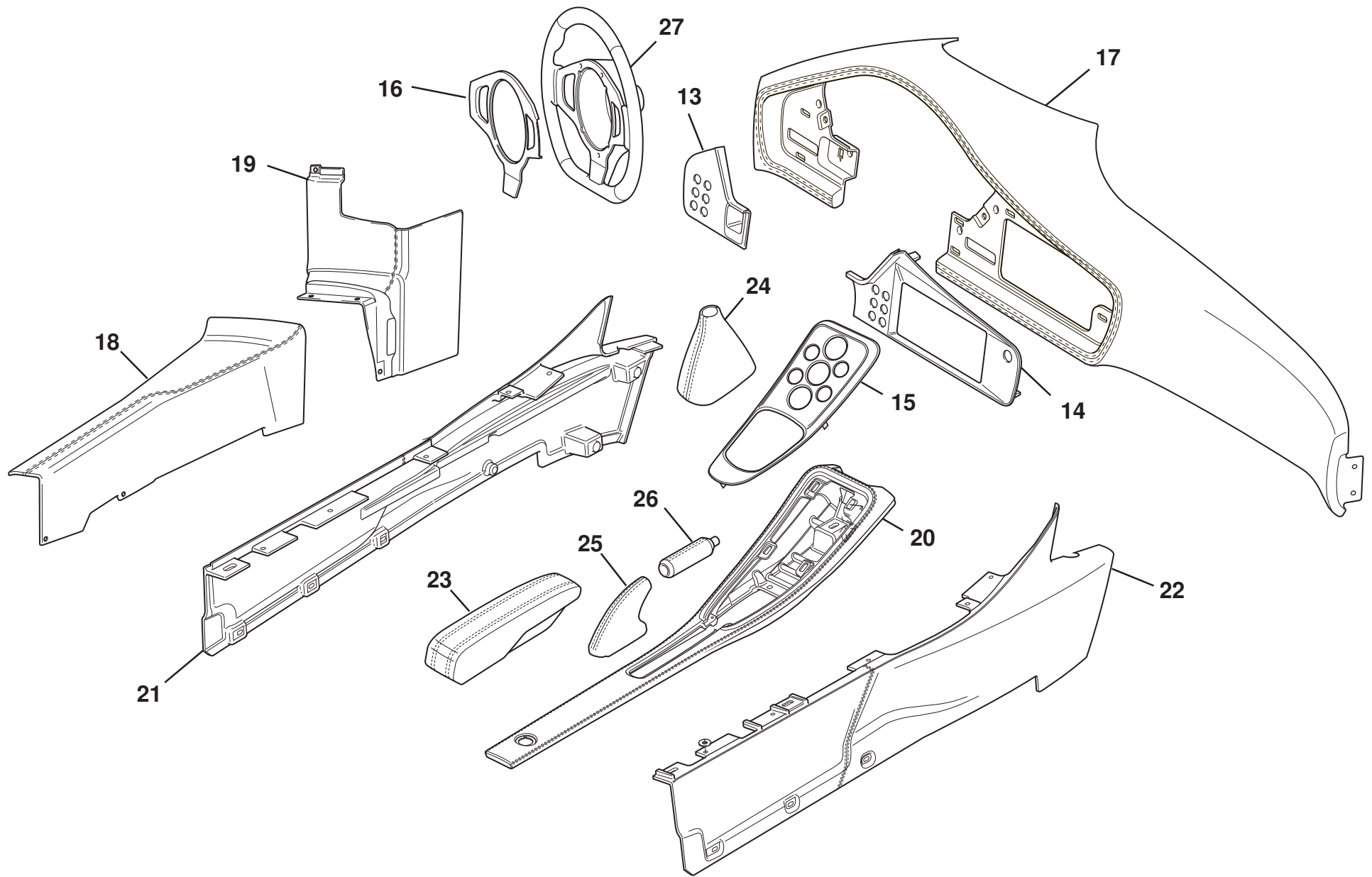
<u>Dep</u>	<u>Part Description</u>	<u>Remarks</u>	<u>Option</u>	<u>Part Number</u>	<u>Qty</u>
28b	Assembly Brake Caliper Rear LH red			A132J4047F	1
28c	Assembly Brake Caliper Rear RH red			A132J4048F	1
29	Road Wheel, forged, frt, 10 spoke et55 satin gold, 8.0Jx19			A132G0110F	2
29a	Road Wheel, forged, rr, 10 spoke, et69 satin gold, 9.5J x 20			A132G0111F	2
30	Decal, union jack, 100mm			A132U0985S	2
31	Bezel Rear lamp, black			A132M0244F	2
32	Stencil 'Lotus', rear wing			A132B0270S	1
33	Stencil 'Lotus', rear clam			A132B0271S	1
34	Stencil 'Evora S', rear clam			A132B0272S	1
35	Stencil Stripe, front bumper			A132B0267S	1
36	Stencil Stripe front clam			A132B0268S	1
37	Stencil Stripe, front clam LH			A132B4277S	1
37a	Stencil Stripe, front clam RH			A132B4278S	1
38	Stencil Stripe, roof LH			A132B4283S	1
38a	Stencil Stripe, roof RH			A132B4284S	1
39	Stencil Stripe, front clam side LH			A132B4279S	1
39a	Stencil Stripe, front clam side RH			A132B4280S	1
40	Stencil Stripe, 'A' panel LH			A132B4281S	1
40a	Stencil Stripe, 'A' panel RH			A132B4282S	1
41	Stencil Stripe, door upper LH			A132B4285S	1

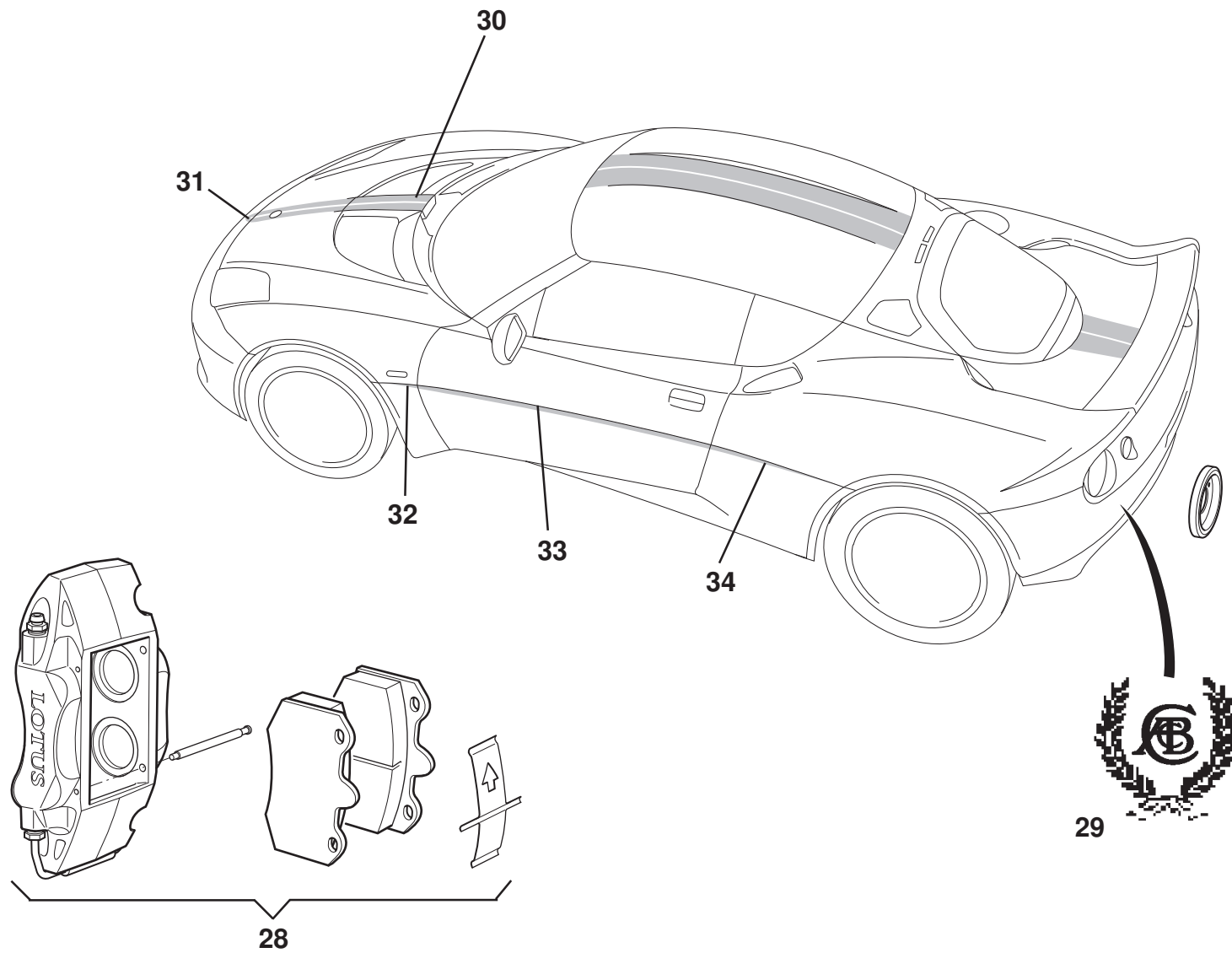


Function Code 99.01 GP Edition

<u>Dep</u>	<u>Part Description</u>	<u>Remarks</u>	<u>Option</u>	<u>Part Number</u>	<u>Qty</u>
41a	Stencil Stripe, door upper RH			A132B4286S	1
42	Stencil Stripe, door lower LH			A132B4287S	1
42a	Stencil Stripe, door lower RH			A132B4288S	1
43	Stencil Stripe, rear clam side upper LH			A132B4289S	1
43a	Stencil Stripe, rear clam side upper RH			A132B4290S	1
44	Stencil Stripe, rear clam side lower LH			A132B4291S	1
44a	Stencil Stripe, rear clam side lower RH			A132B4292S	1
45	Stencil Stripes, rear tailgate			A132B0269S	1
46	Plaque, special edition			A132B0275S	1







Service Parts List

EVORA



Function Code 99.02 Heritage Edition

<u>Dep</u>	<u>Part Description</u>	<u>Remarks</u>	<u>Option</u>	<u>Part Number</u>	<u>Qty</u>
01	Front Seat, LH, black leather, heated	Yellow stitching, To be confirmed			1
01a	Front Seat, RH, black leather, heated	Yellow stitching, To be confirmed			1
02	Seat Backrest Assembly, rear, black leather	Yellow stitching		A132V0762S	1
03	Seat Cushion Assembly, rear, black leather	Yellow stitching		A132V0763S	1
04	Headrest, rear seat, black leather	Yellow stitching		A132V0764S	2
05	Trim Panel, rear quarter upper, LH, black leather	Yellow stitching		A132V4937S	1
05a	Trim Panel, rear quarter upper, RH, black leather	Yellow stitching		A132V4938S	1
06	Trim Panel, rear quarter lower, LH, black leather	Yellow stitching		A132V4939S	1
06a	Trim Panel, rear quarter lower, RH, black leather	Yellow stitching		A132V4940S	1
07	Trim Finisher, rear quarter panel LH, suedetex			A132V4745S	1
07a	Trim Finisher, rear quarter panel RH, suedetex			A132V4746S	1
08	Front Door Trim Panel Assembly, LH, LHD	Yellow stitching		A132V4941S	1
08a	Front Door Trim Panel Assembly, RH, LHD	Yellow stitching		A132V4942S	1
09	Stowage Pocket/Switch Panel Assy, trimmed, LH LHD, suedetex	Yellow stitching		A132V4943S	1
09a	Stowage Pocket/Switch Panel Assy, trimmed, RH LHD, suedetex	Yellow stitching		A132V4944S	1
10	Door Trim Insert Panel, LH, suedetex			A132V4819S	1
10a	Door Trim Insert Panel, LH, suedetex			A132V4820S	1

EVORA

Function Code: 99.02, Page: 1

Updated 16th January 2013

Function Code 99.02 Heritage Edition

<u>Dep</u>	<u>Part Description</u>	<u>Remarks</u>	<u>Option</u>	<u>Part Number</u>	<u>Qty</u>
11	Door Pull Handle Assembly, trimmed inner, LH			A132V4201J	1
11a	Door Pull Handle Assembly, trimmed inner, RH			A132V4202J	1
11b	Door Pull Handle Inner, trimmed, LH	Black leather		A132V4363S	1
11c	Door Pull Handle Inner, trimmed, RH	Black leather		A132V4364S	1
11d	Door Pull Handle Cover LH			A132V4147F	1
11e	Door Pull Handle Cover RH			A132V4148F	1
12	Trim Panel Tailgate, suedetex	Yellow stitching		A132V0771S	1
13	Switch Panel, LH, LHD, black			A232U4531F	1
14	Switch Panel, RH, LHD, black			A132U4527F	1
15	Panel, HVAC finisher, manual, black			A132U0641F	1
15a	Panel, HVAC finisher, auto, black			A132U0654F	1
16	Finisher Trim, steering wheel, black			A132V0333F	1
17	Trim Panel, switch & instruments surround, LHD, suedetex	Yellow stitching		A132V0765S	1
18	Sill Trim Panel Assembly, LH	Yellow stitching		A132V4945S	1
18a	Sill Trim Panel Assembly, RH	Yellow stitching		A132V4946S	1
19	Trim Panel, 'A' post lower, LH	Yellow stitching		A132V4947S	1
19a	Trim Panel, 'A' post lower, RH	Yellow stitching		A132V4948S	1
20	Centre Console, upper, armrest, suedetex	Yellow stitching		A132V0766S	1
21	Centre Console, side, LH armrest, leather	Yellow stitching		A132V4949S	1
22	Centre Console, side, RH armrest, leather	Yellow stitching		A132V4950S	1
23	Armrest Assembly, suedetex	Yellow stitching		A132V0767S	1



Function Code 99.02 Heritage Edition

<u>Dep</u>	<u>Part Description</u>	<u>Remarks</u>	<u>Option</u>	<u>Part Number</u>	<u>Qty</u>
24	Gaiter, gearlever, suedetex	Yellow stitching		A132V0768S	1
25	Gaiter, parking brake lever, suedetex	Yellow stitching		A132V0769S	1
26	Parking Brake Hand-Grip, alloy, suedetex	Yellow stitching, To be confirmed			1
27	Steering Wheel	Yellow stitching		A132V0758S	1
28	Assembly Brake Caliper Front LH red			A132J4045F	1
28a	Assembly Brake Caliper Front RH red			A132J4046F	1
28b	Assembly Brake Caliper Rear LH red			A132J4047F	1
28c	Assembly Brake Caliper Rear RH red			A132J4048F	1
29	Stencil. heritage laurel, gold			A132B0277S	1
30	Stencil. twin stripes, front panel			A132B0274S	1
31	Stencil. front bumper			A132B0273S	1
32	Stencil. 'A' panel LH			A132B4295S	1
32a	Stencil. 'A' panel RH			A132B4296S	1
33	Stencil. Door LH			A132B4293S	1
33a	Stencil. Door RH			A132B4294S	1
34	Stencil. Rear clam side LH			A132B4297S	1
34a	Stencil. Rear clam side RH			A132B4298S	1