

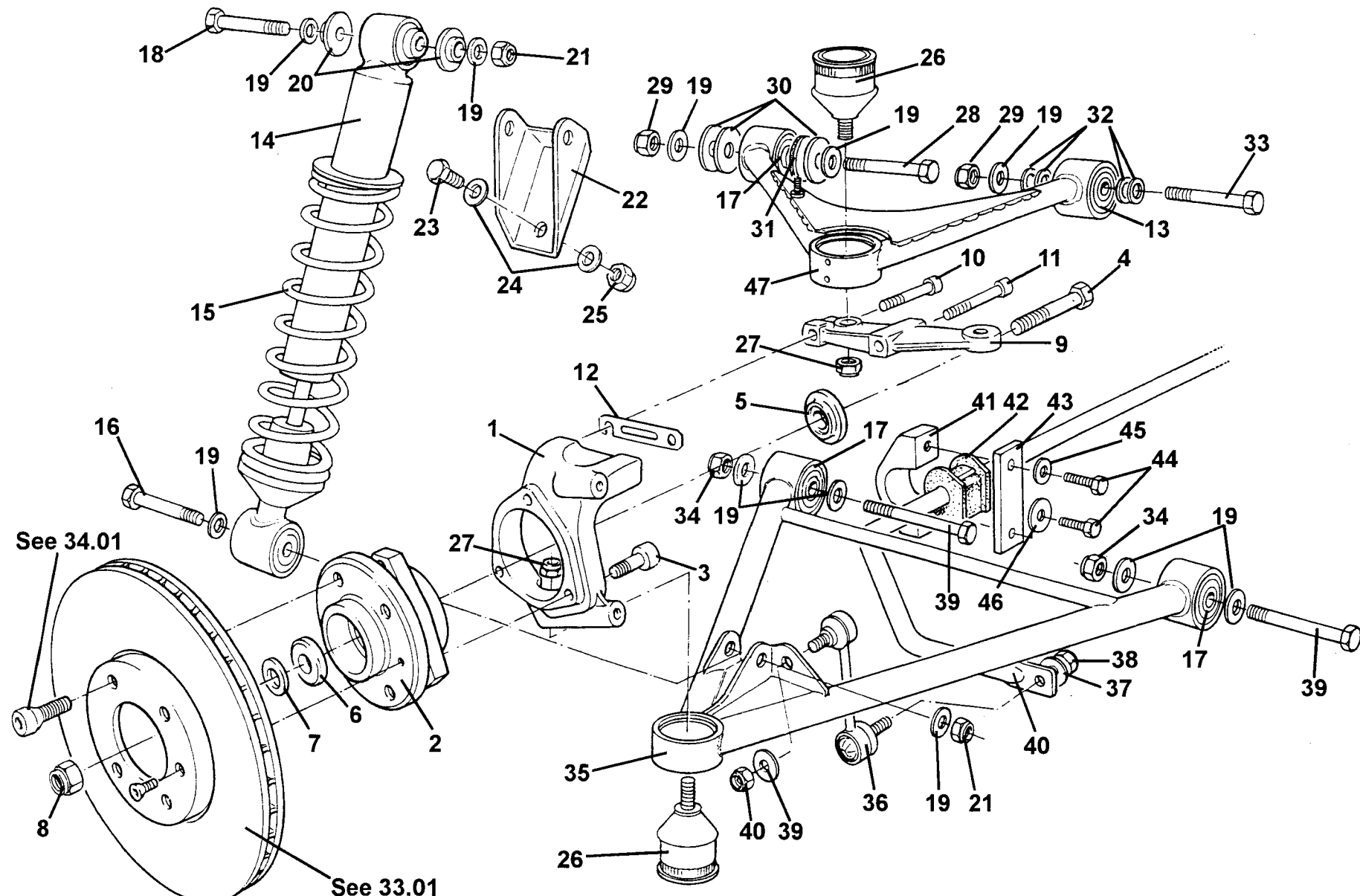
ELISE
 31.01

Service Parts List **ELISE**



Function Code 31.01 Front Suspension Incl. Hubs

| <u>Dep</u> | <u>Part Description</u> | <u>Remarks</u> | <u>Option</u> | <u>Part Number</u> | <u>Qty</u> |
|------------|--|----------------|---------------|--------------------|------------|
| 01 | Hub Carrier, forged steel, LH | | | A116C0001F | 1 |
| 01a | Hub Carrier, forged steel, RH | | | A116C0002F | 1 |
| 02 | Hub/Bearing Assembly | | | A117C6002F | 2 |
| 03 | Screw, M12 x 40, cap hd., hub assy. to hub carrier | | | A116W1170F | 6 |
| 04 | Bolt, M16 x 100, hex. hd., hub retention | | | A111W2185F | 2 |
| 05 | Thrust Washer, inner, hub retention | | | A111C0118F | 2 |
| 06 | Thrust Washer, outer, hub retention | | | A111C0117F | 2 |
| 07 | Washer, flat, M16 x 30 | | | A111W4171F | 2 |
| 08 | Nyloc Nut, M16, hub retention | | | A111W3159F | 2 |
| 09 | Steering Arm, LH | | | A116C0003F | 1 |
| 09a | Steering Arm, RH | | | A116C0004F | 1 |
| 10 | Bolt, M10 x 45, cap hd., steering arm to hub carrier | | | A111W7155F | 2 |
| 11 | Bolt, M10 x 65, cap hd., steering arm to hub carrier | | | A111W7144F | 2 |
| 12 | Shim, 1mm, camber adjustment | | | A111C0062F | As req. |
| 12a | Shim, 3mm, camber adjustment | | | C111C0064F | As req. |
| 13 | Bush, upper wishbone rear pivot | | | A111C0108F | 2 |
| 14 | Damper | | | D117C0007H | 2 |
| 15 | Road Spring | | | A117C0006H | 2 |

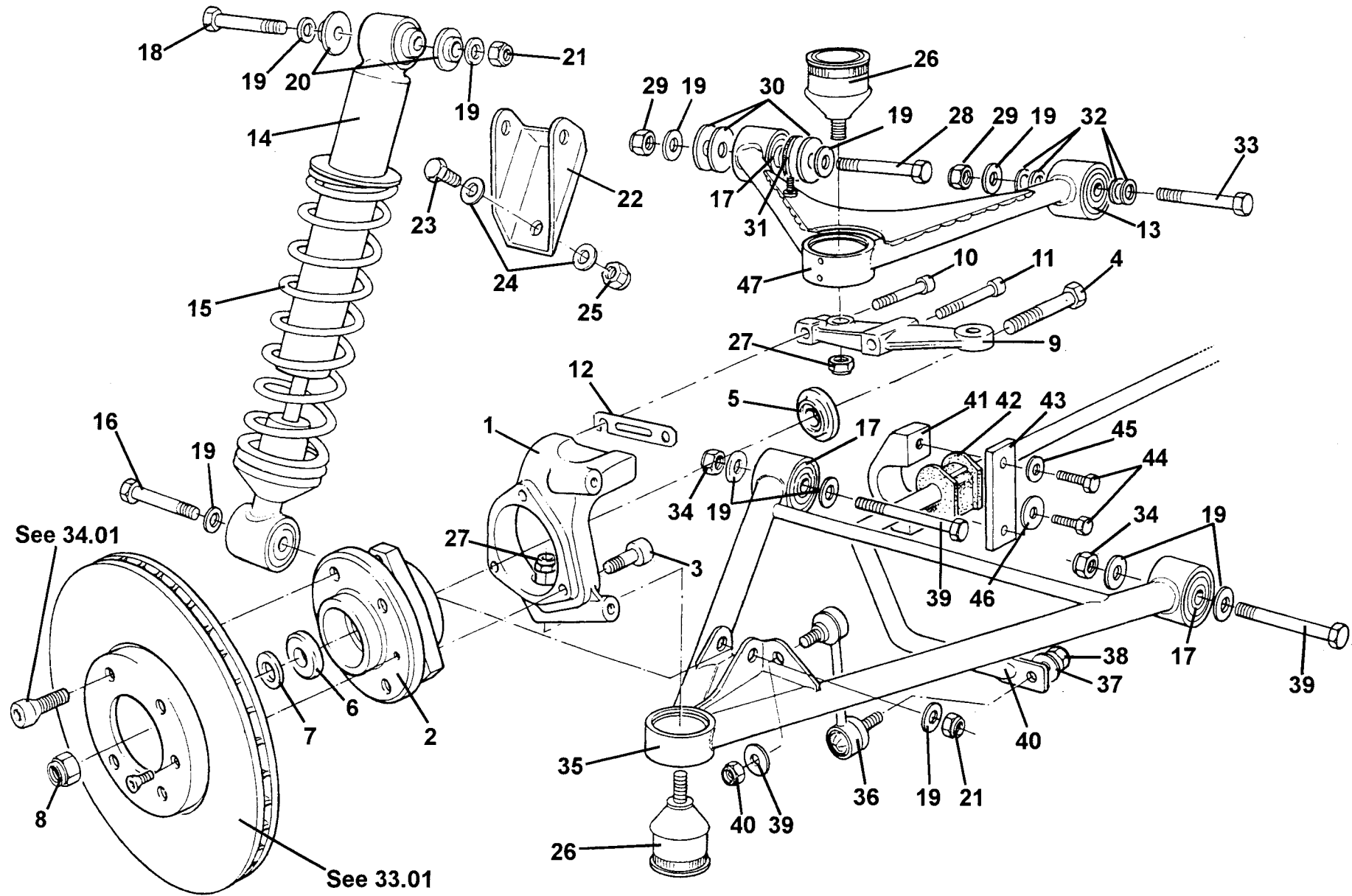


ELISE
31.01

Function Code 31.01 Front Suspension Incl. Hubs

| <u>Dep</u> | <u>Part Description</u> | <u>Remarks</u> | <u>Option</u> | <u>Part Number</u> | <u>Qty</u> |
|------------|---|-----------------------------|---------------|--------------------|------------|
| 16 | Bolt, M10 x 55, hex. hd., damper bottom fix. | | | A079W2057F | 2 |
| 17 | Bush, lower wishbone/upper wishbone front pivots | | | A111C0075F | 6 |
| 18 | Bolt, M10 x 70, hex. hd., damper top fix. | | | A075W2058Z | 2 |
| 19 | Washer, flat, M10 x 20 5 x 1.8 | | | A075W4024Z | 22 |
| 20 | Spacer, damper to top mounting bracket | | | A111C0061F | 4 |
| 21 | Nyloc Nut, M10, damper fixings | | | A100W3112F | 4 |
| 22 | Damper Mounting Bracket, LH | | | B111C0033F | 1 |
| 22a | Damper Mounting Bracket, RH | | | B111C0034F | 1 |
| 23 | Bolt, M8 x 25, hex, hd., bracket to chassis | | | A111W1156F | 4 |
| 24 | Washer, flat, M8 x 16.6, bracket to chassis | | | A111W4164F | 4 |
| 25 | Nyloc Nut, M8, bracket to chassis | | | A075W3010Z | 4 |
| 26 | Ball Joint | Includes nyloc nut | | B111C6012F | 4 |
| 27 | Nyloc Nut, ball joint fix | | | A111C6019S | 2 |
| 28 | Pivot Bolt, M10 x 80, hex. hd., wishbone upper front | | | A075W2061Z | 2 |
| 29 | Nut, nyloc, M10, wishbone upper to chassis | | | A100W3112F | 4 |
| 30 | Shim, castor adjustment | | | A111C0077F | 6 |
| 31 | Snubber Washer, rubber coated, upper wishbone | | | A111C0081F | 2 |
| 32 | Shim, castor adjustment, small | | | A111C0080F | 8 |
| 33 | Pivot Bolt, M10 x 75mm, hex. hd., wishbone upper rear | | | A075W2059Z | 2 |
| 34 | Nut, nyloc, M10, wishbone lower to chassis fix | | | A100W3112F | 4 |
| 35 | Wishbone Assembly, lower, LH | Includes balljoint & bushes | | A117C0035J | 1 |

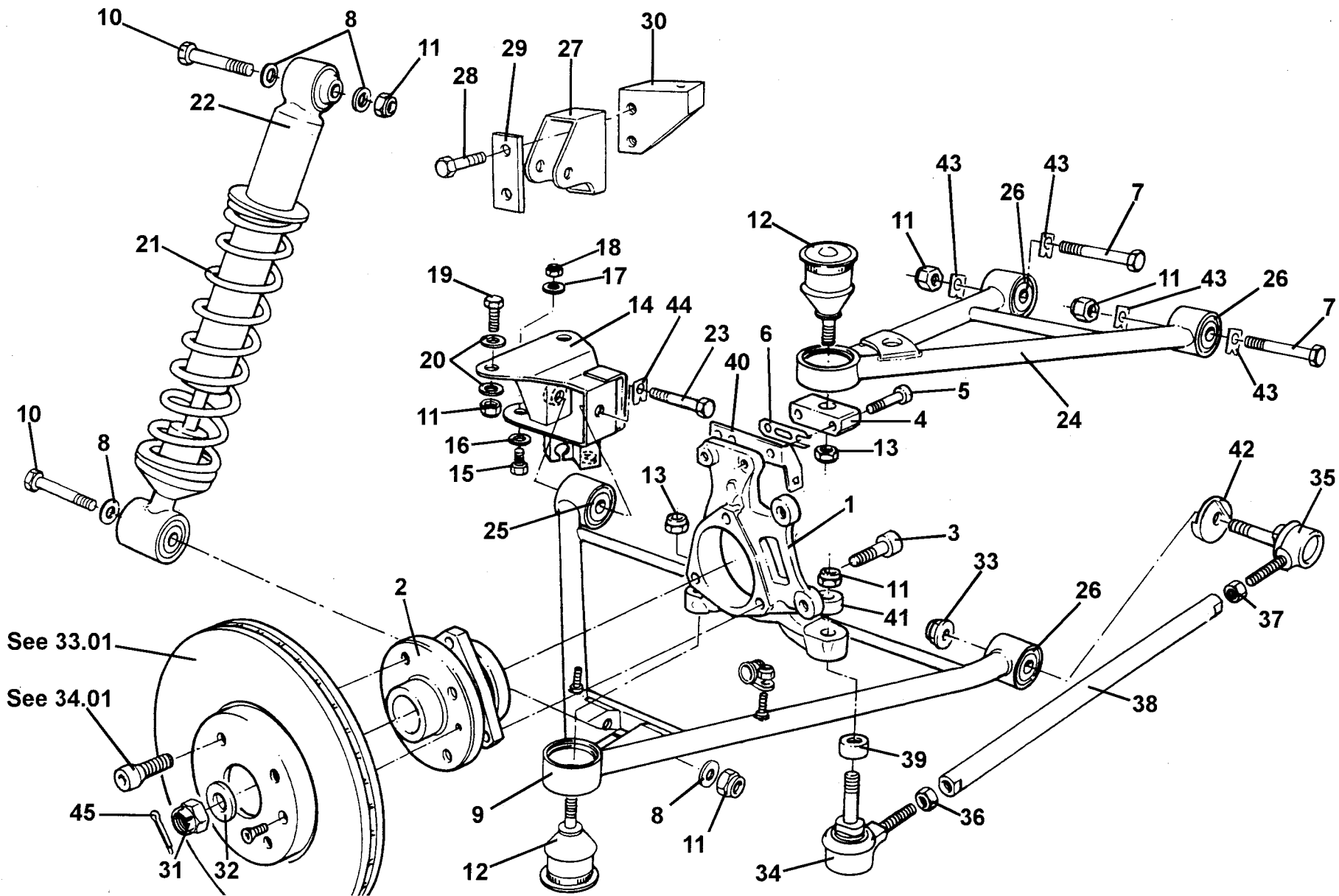
ELISE



ELISE
31.01

Function Code 31.01 Front Suspension Incl. Hubs

| <u>Dep</u> | <u>Part Description</u> | <u>Remarks</u> | <u>Option</u> | <u>Part Number</u> | <u>Qty</u> |
|------------|--|-----------------------------|---------------|--------------------|------------|
| 35a | Wishbone Assembly, lower, RH | Includes balljoint & bushes | | A117C0034J | 1 |
| 36 | Anti-Roll Bar Drop Link | | | A111C0063F | 2 |
| 37 | Washer, flat, M10 x 24 x 1.5, drop link fix | | | A075W4023F | 4 |
| 38 | Nyloc Nut, M10 x 1.25, drop link fix | | | A111W3152F | 4 |
| 39 | Pivot Bolt, M10 x 85, hex. hd., wishbone lower | | | A079W2063F | 4 |
| 40 | Anti-Roll Bar | | | A111C0111F | 1 |
| 41 | Clamp Bracket, A/R bar | | | A111C0107F | 2 |
| 42 | Pivot Bush, rubber, A/R bar. | | | A111C0094F | 2 |
| 43 | Spacer Plate, A/R bar fixing | | | A111C0109F | 2 |
| 44 | Screw, M8 x 30, A/R bar clamp bracket fixing | | | A111W1161F | 4 |
| 45 | Washer, flat, M8 | | | A111W4169F | 2 |
| 46 | Washer, flat, M8 x 25 x 1.4 | | | A111W4156F | 2 |
| 47 | Wishbone assembly, upper LH | Includes balljoint & bushes | | A117C0029J | 1 |
| 47a | Wishbone assembly, upper RH | Includes balljoint & bushes | | A117C0030J | 1 |



ELISE
31.03

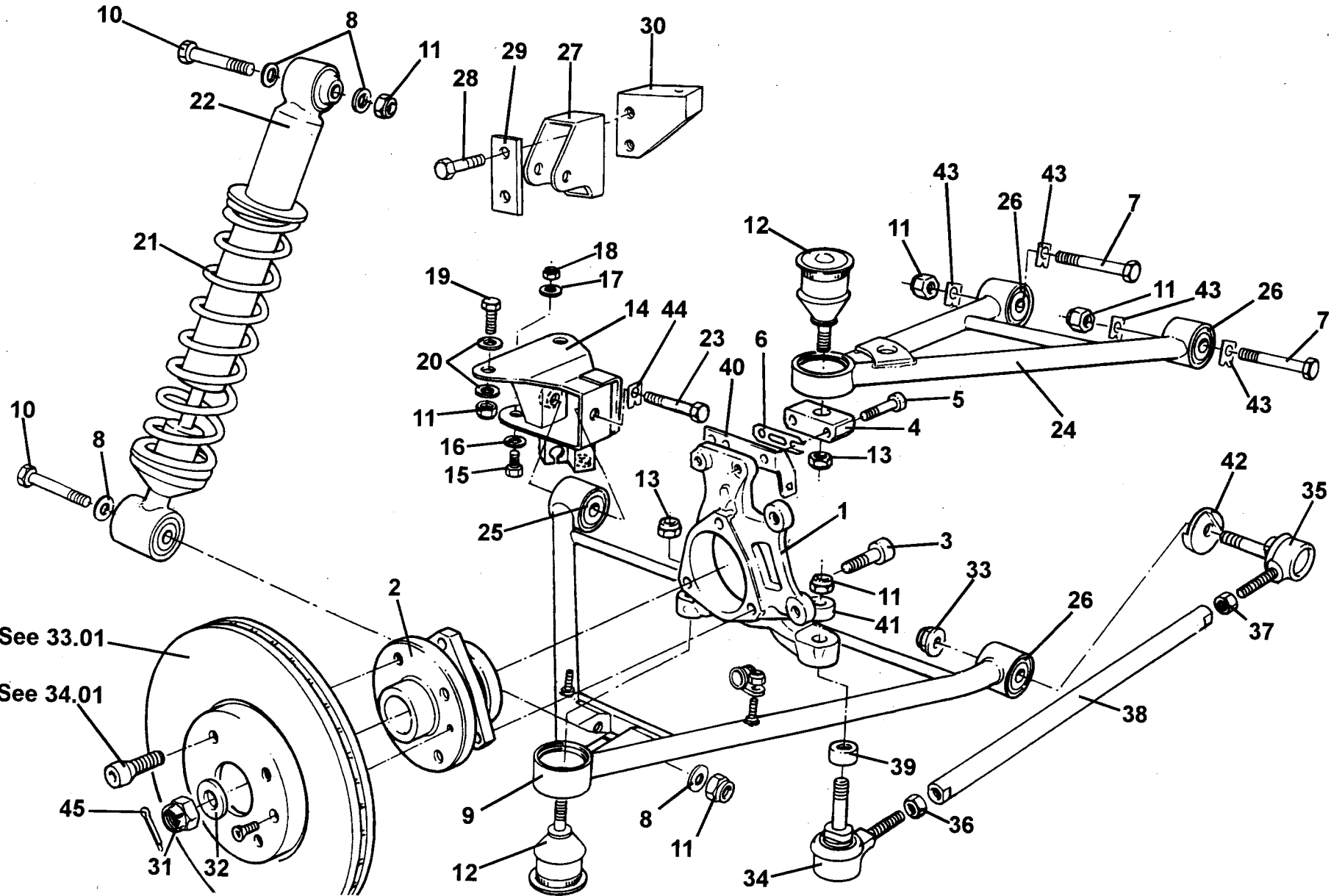
Service Parts List **ELISE**



Function Code 31.03 Rear Suspension Incl. Hubs

| <u>Dep</u> | <u>Part Description</u> | <u>Remarks</u> | <u>Option</u> | <u>Part Number</u> | <u>Qty</u> |
|------------|--|-----------------------------|---------------|--------------------|------------|
| 01 | Hub Carrier, forged steel, LH | | | A116D0001F | 1 |
| 01a | Hub Carrier, forged steel, RH | | | A116D0002F | 1 |
| 02 | Hub/Bearing Assembly | Includes wheel speed sensor | | A117D6005F | 2 |
| 03 | Screw, M12 x 40, cap hd., hub assy. to hub carrier | | | A116W1170F | 6 |
| 04 | Ball Joint Carrier | | | B111D0055F | 2 |
| 05 | Bolt, M10 x 50, cap hd., ball joint carrier to hub carrier | | | A111W1745F | 4 |
| 06 | Shim, camber adjustment | | | B111D0052F | As req. |
| 07 | Pivot Bolt, M10 x 55, hex. hd., upper wishbone F & R | | | A079W2057F | 4 |
| 08 | Washer, flat, M10 x 20.5 | | | A075W4024Z | 22 |
| 09 | Lower Wishbone Assembly, LH | Includes balljoint & bushes | | A117D0047J | 1 |
| 09a | Lower Wishbone Assembly, RH | Includes balljoint & bushes | | A117D0048J | 1 |
| 10 | Bolt, M10 x 55, hex. hd., spring/damper fixing | | | A079W2057F | 4 |
| 11 | Nyloc Nut, M10 | | | A100W3112F | 14 |
| 12 | Ball Joint | Includes nyloc nut | | B111C6012F | 4 |
| 13 | Nyloc Nut, balljoint | | | A111C6019S | 4 |
| 14 | Bracket, lower wishbone to chassis, LH | | | A117D0059F | 1 |
| 14a | Bracket, lower wishbone to chassis, RH | | | A117D0060F | 1 |
| 15 | Bolt, M8, bracket to chassis | | | A111W1156F | 4 |

ELISE

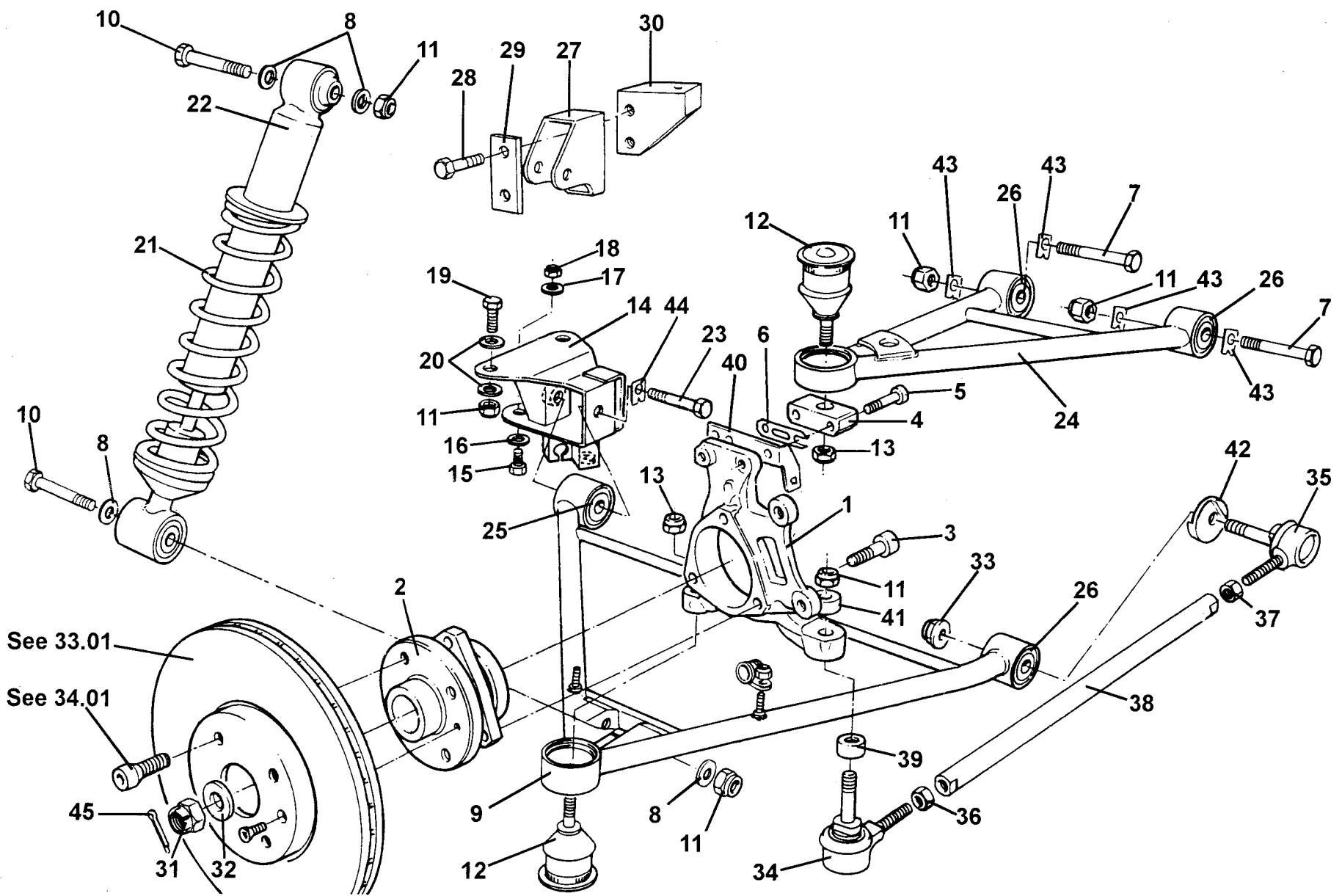


ELISE
31.03

Function Code 31.03 Rear Suspension Incl. Hubs

| <u>Dep</u> | <u>Part Description</u> | <u>Remarks</u> | <u>Option</u> | <u>Part Number</u> | <u>Qty</u> |
|------------|--|-----------------------------|---------------|--------------------|------------|
| 16 | Washer, flat, lower, M8 x 16.6 x1.4 | | | A111W4164F | 4 |
| 17 | Washer, flat, upper, M8 x 20.5 x 1.5 S/S | | | A111W4176F | 4 |
| 18 | Nyloc Nut, M8 | | | A907E6284F | 4 |
| 19 | Screw, M10 x 25, hex. hd., bracket to chassis | | | A111W1157F | 4 |
| 20 | Washer, flat, M10 | | | A111W4163F | 4 |
| 21 | Road Spring | | | A117D0056H | 2 |
| 22 | Damper | | | D117D0009H | 2 |
| 23 | Pivot Bolt, M10 x 65, hex. hd., lower wishbone front | | | A075W2056F | 2 |
| 24 | Upper Wishbone Assembly, LH | Includes balljoint & bushes | | A117D0033J | 1 |
| 24a | Upper Wishbone Assembly, RH | Includes balljoint & bushes | | A117D0034J | 1 |
| 25 | Bush, lower wishbone front pivot (short) | | | A111D0061F | 2 |
| 26 | Bush, lower wishbone rear/upper wishbones | | | A111C0075F | 6 |
| 27 | Bracket, damper top mount | | | A117D0058F | 2 |
| 28 | Screw, M10 x 30, hex. hd., damper bracket to chassis | | | A111W1158F | 4 |
| 29 | Spreader Plate, damper bracket | | | A117D0065F | 2 |
| 30 | Adaptor Block, bracket to chassis, LH | | | A111A0003F | 1 |
| 30a | Adaptor Block, bracket to chassis, RH | | | A111A0002F | 1 |
| 31 | Nut, castellated, shaft to hub | | | A116D6001F | 2 |
| 32 | Washer, flat, nut to shaft | | | A116D6002F | 2 |
| 33 | Nut, flange, M10, 8.8 grade | | | A111W3151F | 2 |
| 34 | Ball Joint, outer, RH thread | | | A116D0034F | 2 |

ELSG



ELISE
31.03

Function Code 31.03 Rear Suspension Incl. Hubs

| <u>Dep</u> | <u>Part Description</u> | <u>Remarks</u> | <u>Option</u> | <u>Part Number</u> | <u>Qty</u> |
|------------|--|----------------|---------------|--------------------|------------|
| 35 | Ball Joint, inner, LH thread | | | A116D0035F | 2 |
| 36 | Locknut, M12, RH thread, ball joint to rod | | | A111W3150F | 2 |
| 37 | Locknut, M12, LH thread, ball joint to rod | | | A111W3149F | 2 |
| 38 | Toe Link Rod | | | A111D0137F | 2 |
| 39 | Selective Spacer, 6mm, bump steer adjusting | | | A116D0036F | 2 |
| 39a | Selective Spacer, 7mm, bump steer adjusting | | | A116D0037F | 2 |
| 39b | Selective Spacer, 8mm, bump steer adjusting | Factory fitted | | A116D0038F | 2 |
| 39c | Selective Spacer, 9mm, bump steer adjusting | | | A116D0039F | 2 |
| 39d | Selective Spacer, 10mm, bump steer adjusting | | | A116D0040F | 2 |
| 39e | Selective Spacer, 11mm, bump steer adjusting | | | A116D0041F | 2 |
| 40 | Shim/Bracket, connector retaining, LH | | | A116C0013F | 1 |
| 40a | Shim/Bracket, connector retaining, RH | | | A116C0012F | 1 |
| 41 | Spacer, 10mm, balljoint stud to nut | | | A111D0147F | 2 |
| 42 | Anti-rotation Washer, ball joint to subframe | | | A117A0106F | 2 |
| 43 | Tab Washer, upper pivot bolts | | | A116D0031F | 8 |
| 44 | Tab Washer, lower front pivot bolt | | | A116D0032F | 2 |
| 45 | Split Pin, nut to shaft | | | A116D6003F | 2 |