

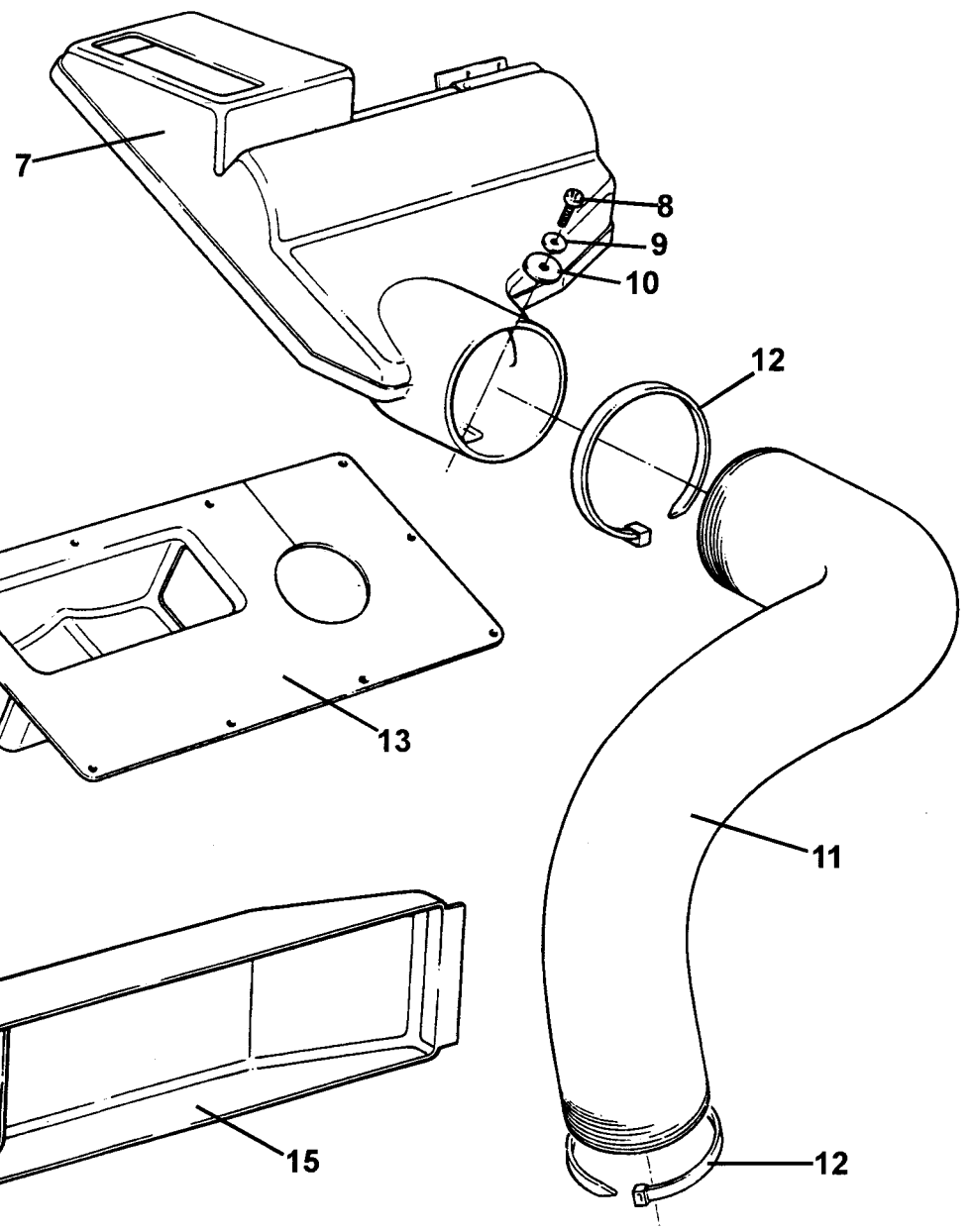
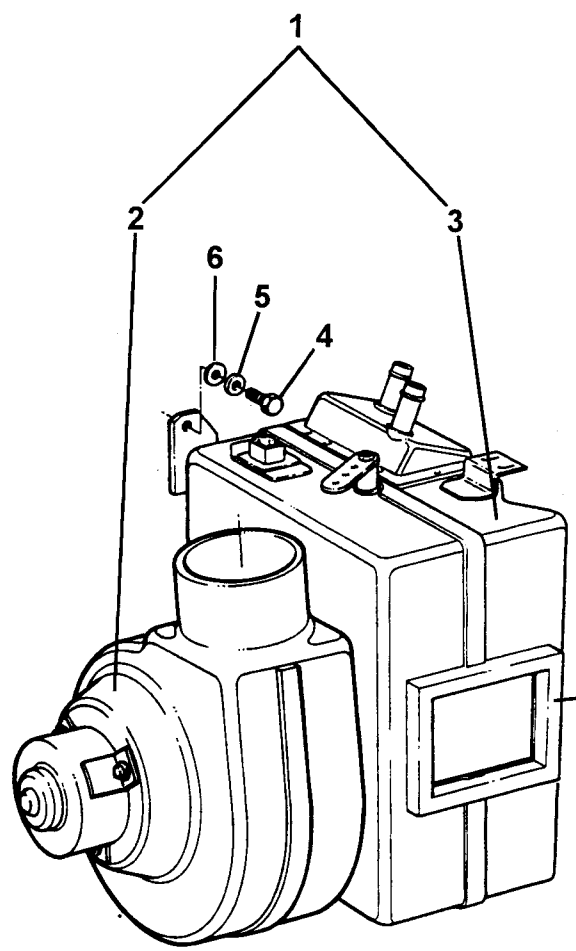
**ELISE**  
**18.05**

# Service Parts List **ELISE**



## Function Code 18.05 Heater, Pipes, Hoses

<u>Dep</u>	<u>Part Description</u>	<u>Remarks</u>	<u>Option</u>	<u>Part Number</u>	<u>Qty</u>
01	Pipe, heater return			B111P0001F	1
02	Pipe, heater feed			B111P0002F	1
03	Grommet, heater pipes	In scuttle baffle		A111P0003K	2
04	Hose, heater inlet, RHD			A116P0010F	1
04a	Hose, heater inlet, LHD			A116P0007F	1
05	Hose, heater outlet, RHD			A116P0008F	1
05a	Hose, heater outlet, LHD			A116P0009F	1
06	Hose Clip			A079K6018Z	4
07	Saddle Clip, cable tie	Heater pipe to chassis		A082W6324F	14
08	Cable Tie			A075W6038F	14
09	Blind Rivet, saddle clamp to chassis			A085W6259F	4
10	Blind Rivet, saddle clamp to chassis			A111W6613F	6
11	Blind Rivet, saddle clamps to chassis			A111W6614F	4
12	Foam Strip, self adhesive, pipe protection			A082U6067F	As req.



**ELISE**  
18.07

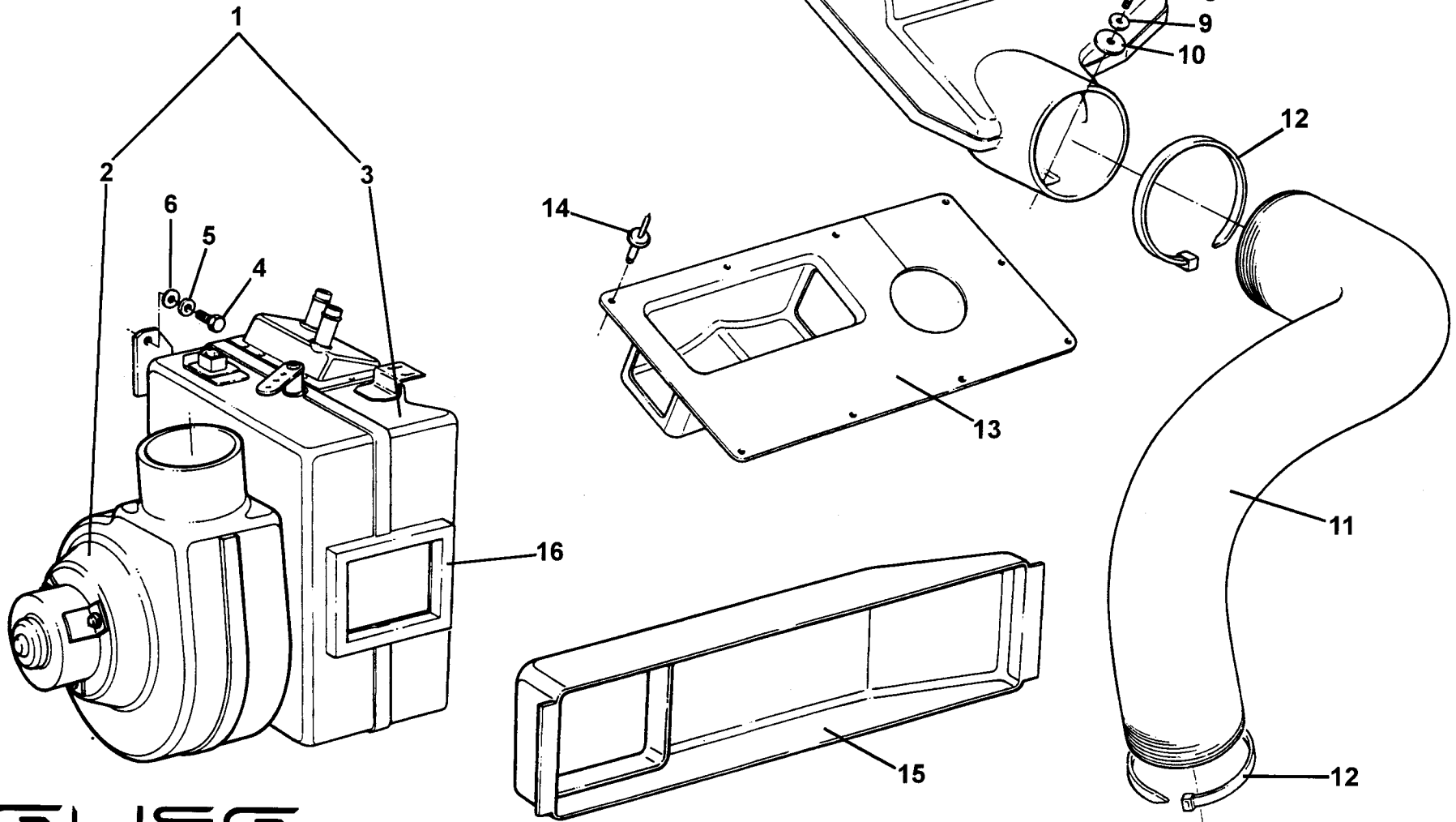
# Service Parts List **ELISE**



## Function Code 18.07 Interior Blower Motor. Heater Matrix, Intakes & Ducting

<u>Dep</u>	<u>Part Description</u>	<u>Remarks</u>	<u>Option</u>	<u>Part Number</u>	<u>Qty</u>
01	Heater Assembly, RHD			<b>B116P0002F</b>	1
01a	Heater Assembly, LHD			<b>B116P0001F</b>	1
02	Blower & Motor Assembly				1
03	Heater Matrix/Housing Assembly, RHD				1
03a	Heater Matrix/Housing Assembly, LHD				1
04	Screw				1
05	Washer, spring				1
06	Washer, flat				1
07	Distribution Plenum, RHD			<b>B116P0004F</b>	1
07a	Distribution Plenum, LHD			<b>B116P0003F</b>	1
08	Screw				1
09	Washer, spring				1
10	Washer, flat				1
11	Hose, heater to plenum			<b>A111P0024F</b>	1
12	Cable Tie, hose fix.				2
13	Deflector, footwell, RHD			<b>A117U0222F</b>	1
13a	Deflector, footwell, LHD			<b>A117U0221F</b>	1
14	Pop Rivet			<b>A082W6512Z</b>	10

**ELISE**



**ELISE**

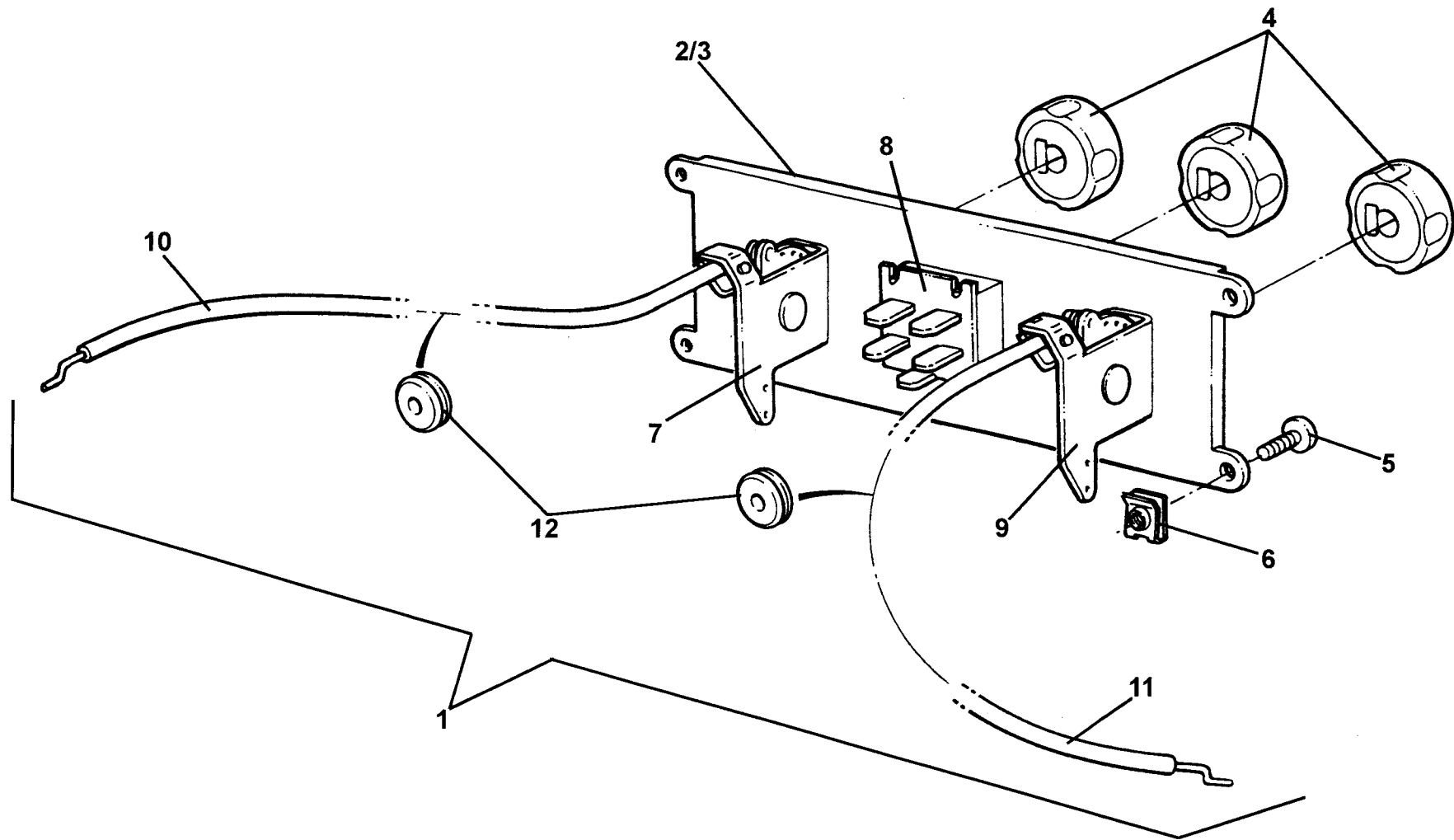
18.07

---

**Function Code 18.07 Interior Blower Motor. Heater Matrix, Intakes & Ducting**

<u>Dep</u>	<u>Part Description</u>	<u>Remarks</u>	<u>Option</u>	<u>Part Number</u>	<u>Qty</u>
15	Air Intake Duct			A116P0005F	1
16	Foam Gasket, duct to heater			A116P0020F	1

---



**ELISE**  
18.09

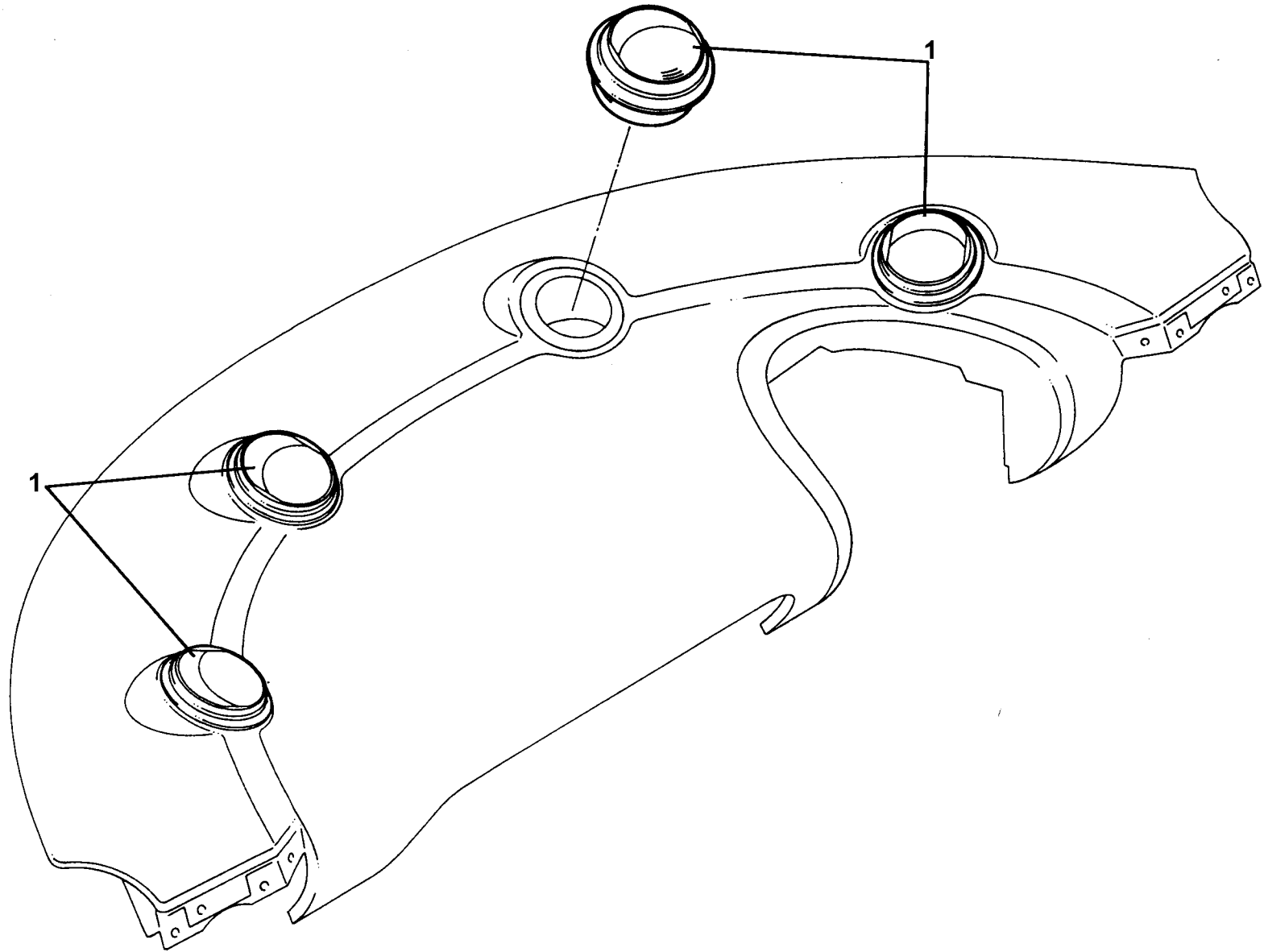
# Service Parts List **ELISE**



## Function Code 18.09 Driver Operated Controls

<u>Dep</u>	<u>Part Description</u>	<u>Remarks</u>	<u>Option</u>	<u>Part Number</u>	<u>Qty</u>
01	Climate Control Panel Assembly, RHD	Includes switches & cables		A117P0006F	1
01a	Climate Control Panel Assembly, LHD	Includes switches & cables		A117P0007F	1
02	Mounting Panel, climate controls				1
03	Graphics Panel			B117U0037F	1
04	Knob, brushed/polished, climate controls		Standard & Race Tech	A117U0036F	3
04a	Knob, polished, climate controls		Sports Tourer	A117U0201F	3
05	Screw, panel fix.				4
06	Nyloc Nut				4
07	Rotary Control, temperature				1
08	Switch, fan speed control				1
09	Rotary Control, distribution				1
10	Cable, temperature control				1
11	Cable, distribution control				1
12	Grommet, cables through bulkhead				2





**ELISE**

**18.13**

# Service Parts List **ELISE**



## Function Code 18.13 Air Trunking & Ventilators

<u>Dep</u>	<u>Part Description</u>	<u>Remarks</u>	<u>Option</u>	<u>Part Number</u>	<u>Qty</u>
01	Fascia Top Ventilator/Demister			A111P6001F	4