

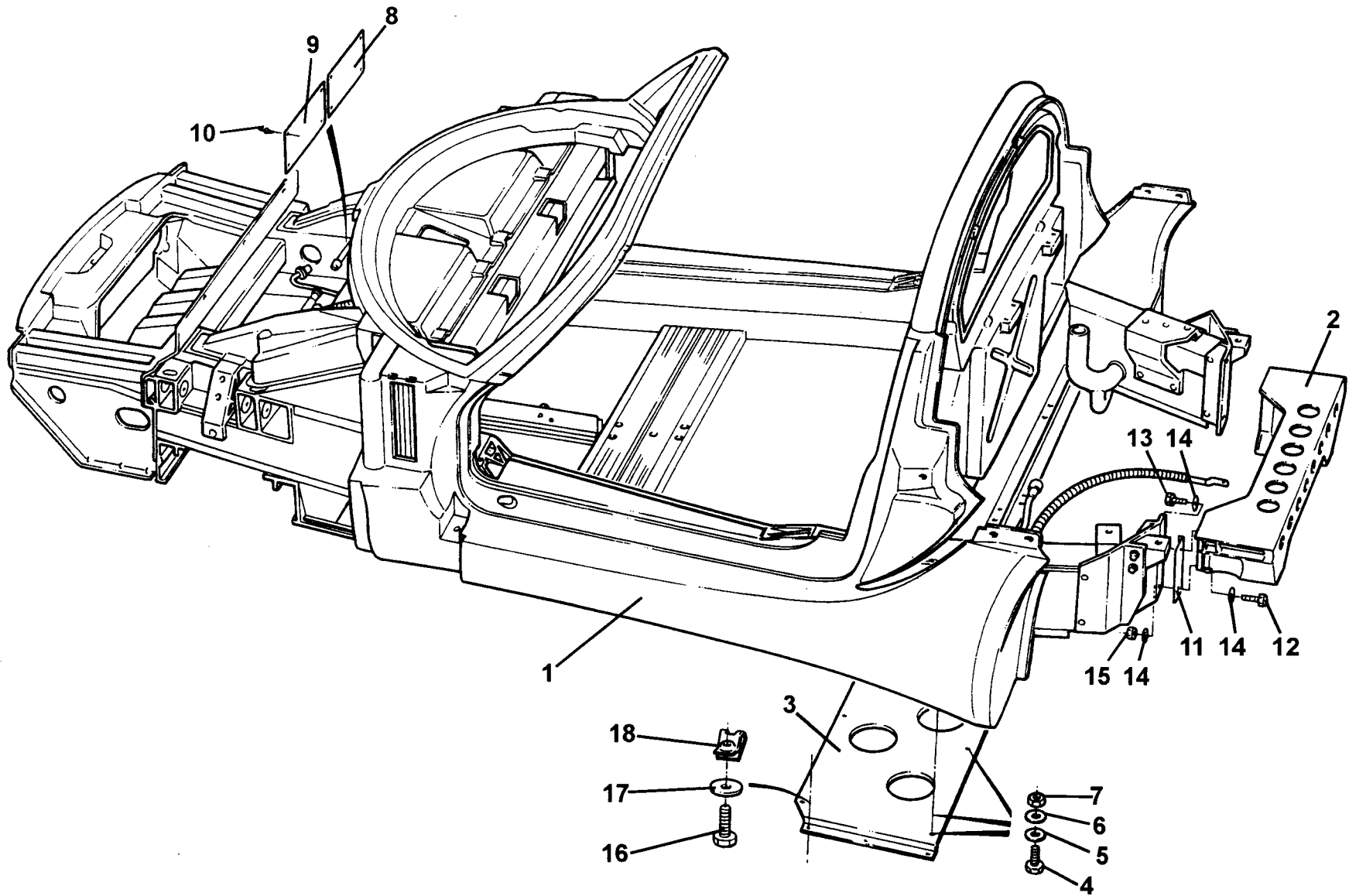
ELISE
30.01

Service Parts List **ELISE**



Function Code 30.01 Chassis, Subframe

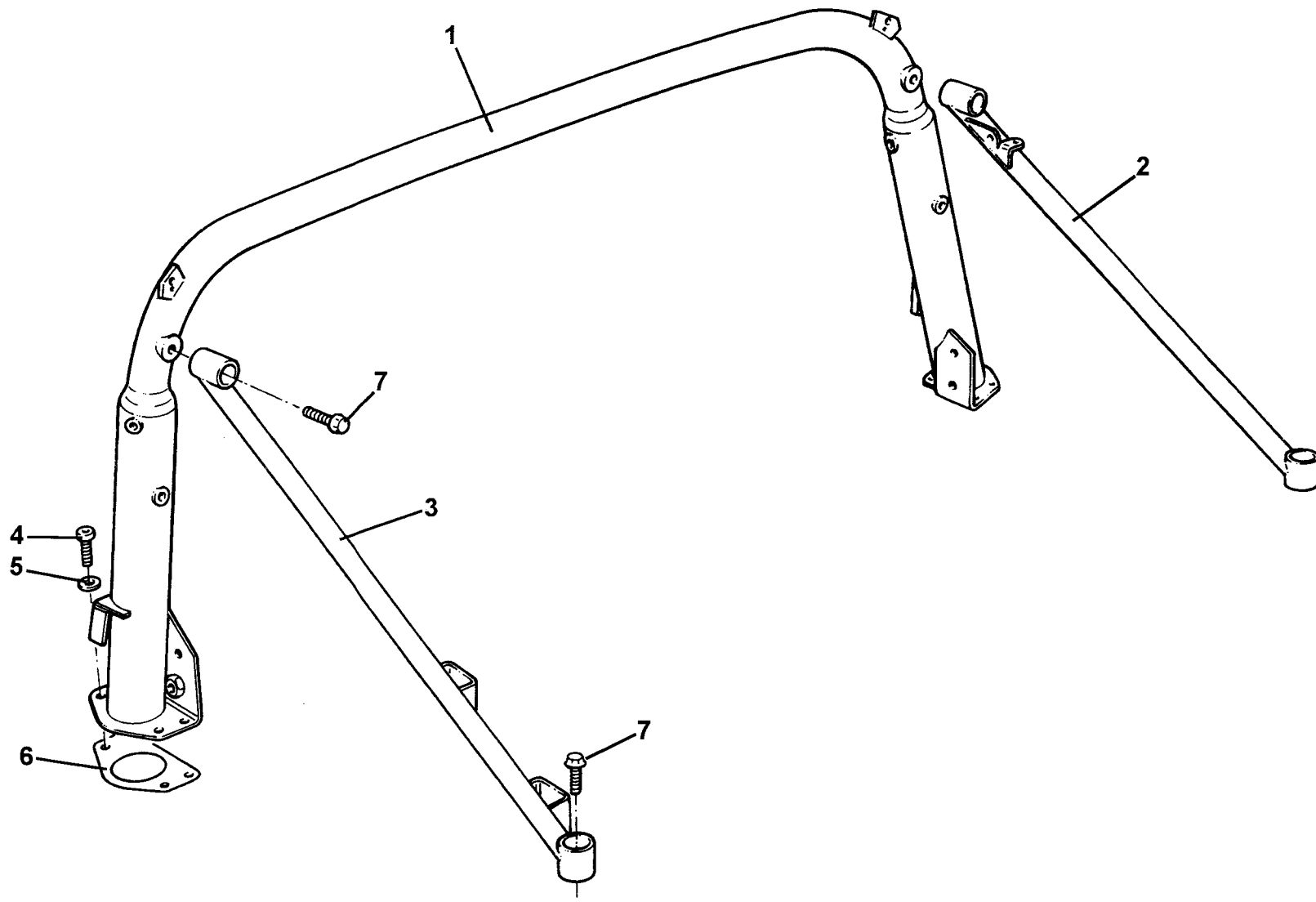
<u>Dep</u>	<u>Part Description</u>	<u>Remarks</u>	<u>Option</u>	<u>Part Number</u>	<u>Qty</u>
01	Partial Body Assembly		RHD		1
01a	Partial Body Assembly		LHD		1
02	Rear Sub Frame, galvanised	Order rear longerons also, see 30.19		F111A0057F	1
03	Shear Panel, fuel tank bay closing panel			B117A0055F	1
04	Screw, M8 x 25, hex. hd., shear panel fix			A111W1156F	10
05	Washer, flat, M8 x 21 x 1.6			A111W4159F	10
06	Washer, flat, M8 x 16.6 x 1.4			A111W4164F	5
07	Nut, nyloc, M8			A907E62844F	5
08	Blanking Panel, RH, toe board air vents			A111B0489K	1
09	Blanking Panel, LH, toe board air vents			A111B0490K	1
10	Pop Rivet, blanking panel fix			A085W6259F	8
11	Shim, chassis to subframe, LH			B111A0217F	1
11a	Shim, chassis to subframe, RH			B111A0216F	1
12	Bolt, M10 x 55, hex. hd.			A111W2181F	2
13	Screw, M10 x 25, hex. hd.			A111W1157F	2
14	Washer, flat, M10 x 20.5 x 1.8			A075W4024Z	8
15	Nut, M10, fig. hd.			A111W3151F	4
16	Setscrew, M5 x 16, hex. hd., shear panel to chassis/sill	Also see 10.25		A111W1163F	6



ELISE
30.01

Function Code 30.01 Chassis, Subframe

<u>Dep</u>	<u>Part Description</u>	<u>Remarks</u>	<u>Option</u>	<u>Part Number</u>	<u>Qty</u>
17	Washer, flat, M5 x 25 x 1.4	Also see 10.25		A082W4098F	6
18	Spirenut, M5	Also see 10.25		B100W6372F	6



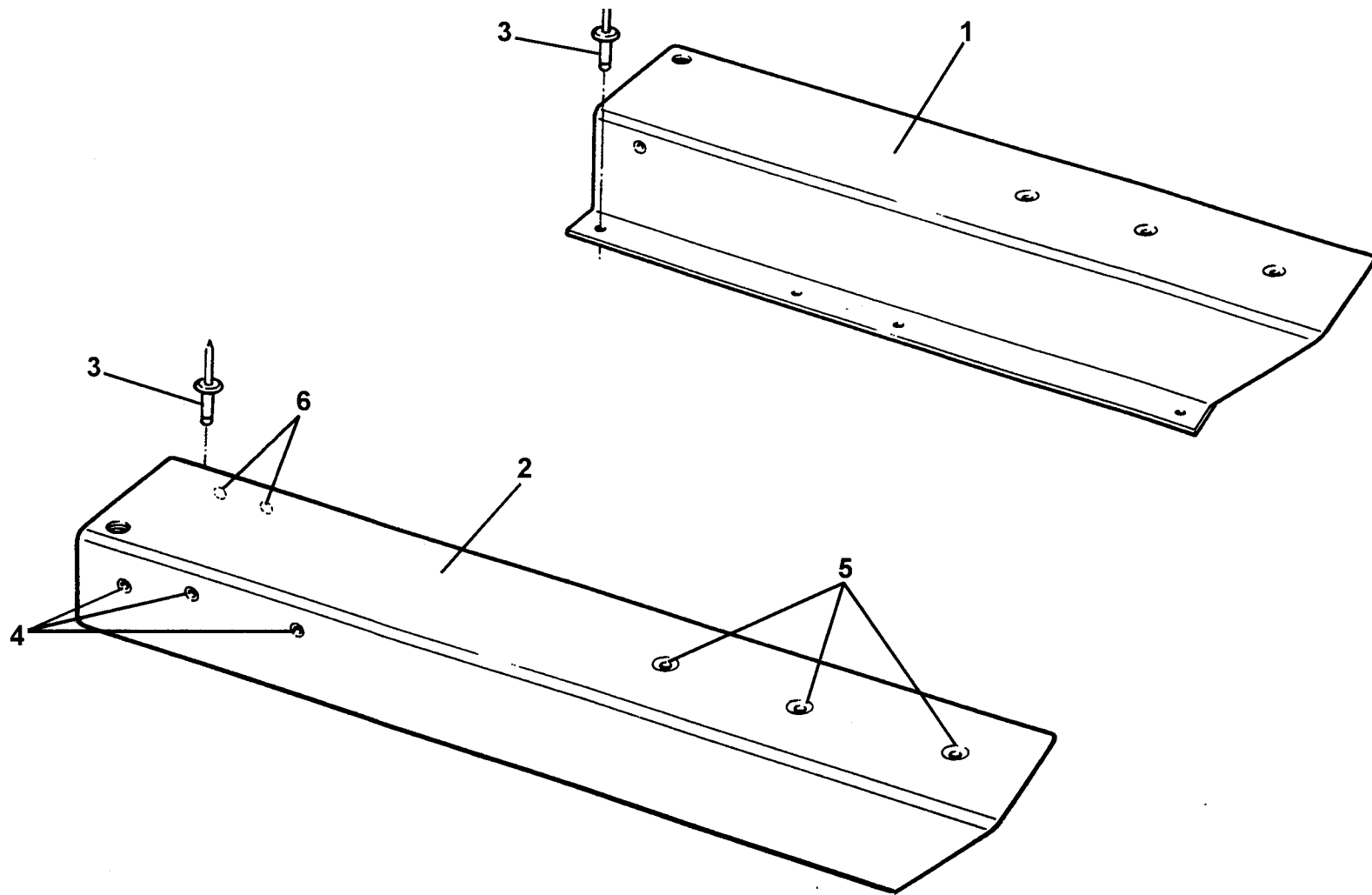
ELISE
30.02

Service Parts List **ELISE**



Function Code 30.02 Roll-Over Bar

<u>Dep</u>	<u>Part Description</u>	<u>Remarks</u>	<u>Option</u>	<u>Part Number</u>	<u>Qty</u>
01	Roll-Over Bar			A117A0058F	1
02	Backstay, roll-over bar, RH			A117A0064F	1
03	Backstay, roll-over bar, LH			A117A0069F	1
04	Screw, M8 x 25, cap hd.			A111W7132F	8
05	Washer, flat, M8 x 16.6 x 1.4			A075W4020Z	8
06	Shim, base plate			B111A0071F	2
07	Screw, M10 x 35, flg. hd.			A117W2196F	4
08	Permabond A130	not illustrated, for use with screws, item: 4		A912E7034F	As req.



ELISE

30.19

Service Parts List **ELISE**



Function Code 30.19 Longerons

<u>Dep</u>	<u>Part Description</u>	<u>Remarks</u>	<u>Option</u>	<u>Part Number</u>	<u>Qty</u>
01	Longeron, LH	Required with new subframe		E117A0033F	1
02	Longeron, RH	Required with new subframe		D117A0034F	1
03	Pop Rivet, 6.4 x 20,			A6593F111W	6
04	Rivnut, M6 x 1, countersunk hd.			A111W6536H	8
05	Pulsert, M6 flat hd.			A079W6191F	6
06	Rivnut, M5 x 0.8 countersunk hd			A111W6566H	2